

ROBIN ENGINES

# PARTS CATALOG

SPEC. No. EC030F00110

for HOFFCO

ISSUE EMD-EP5664  
ISSUE DATE 1997. 7.

---

FIG. 100

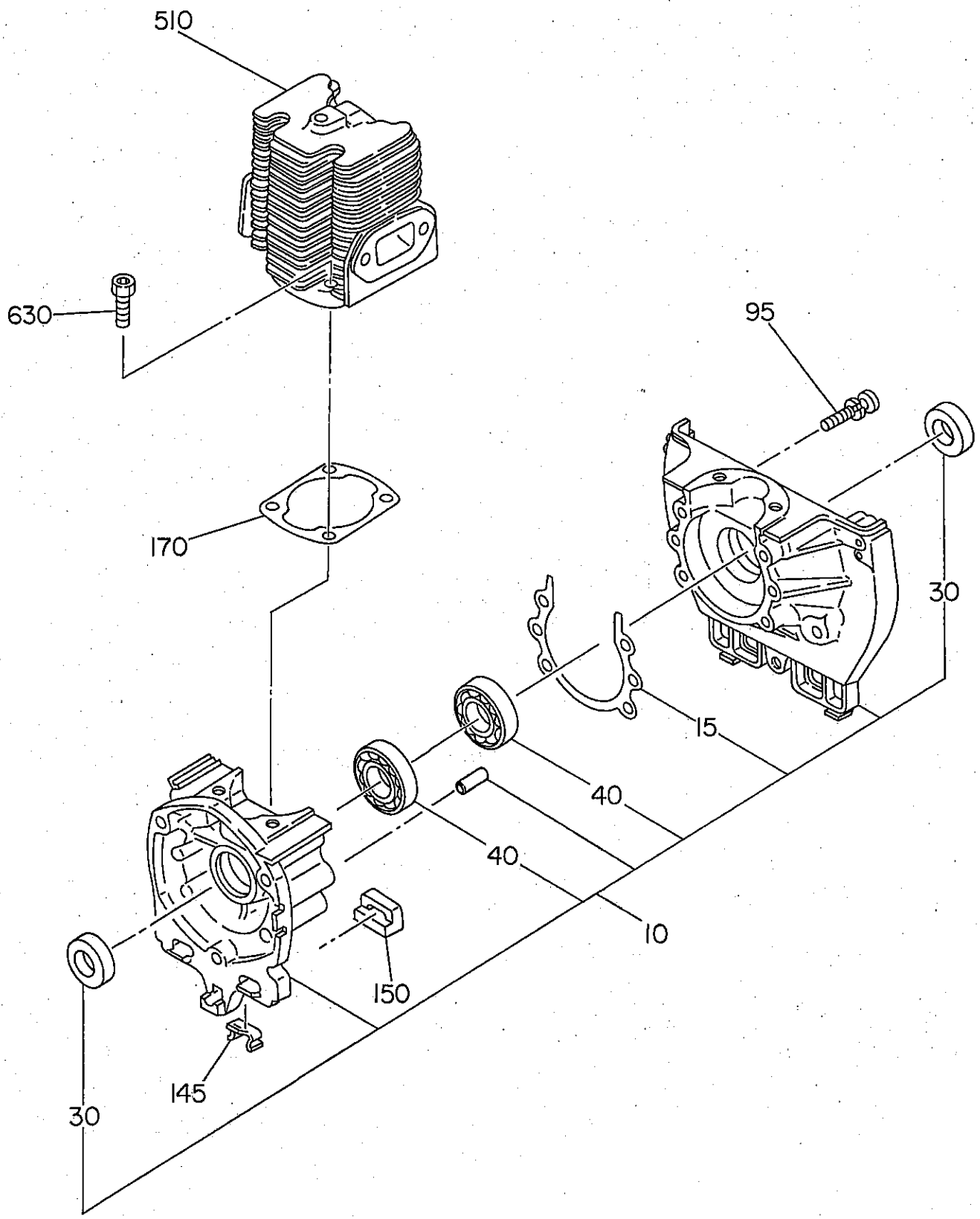
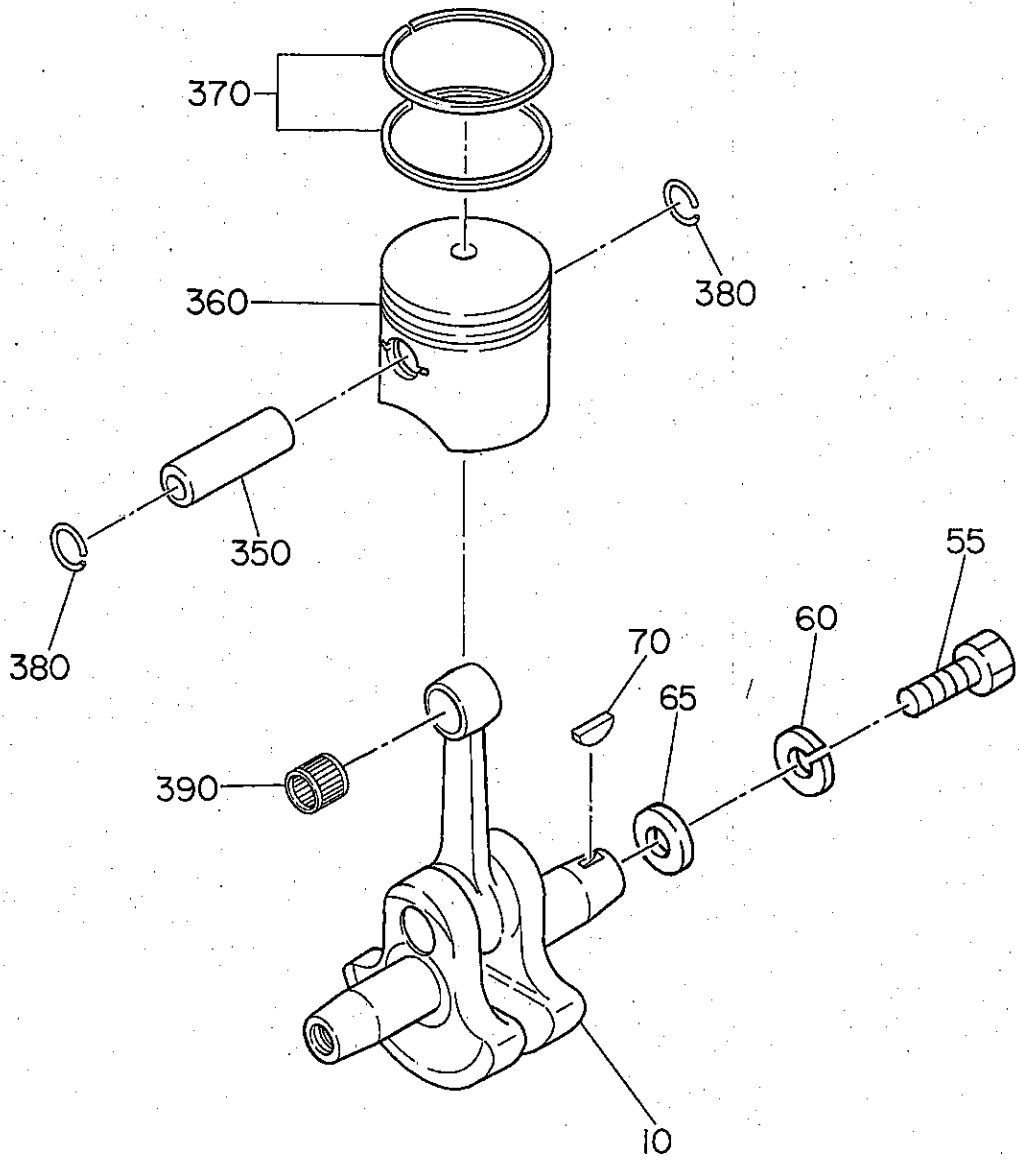




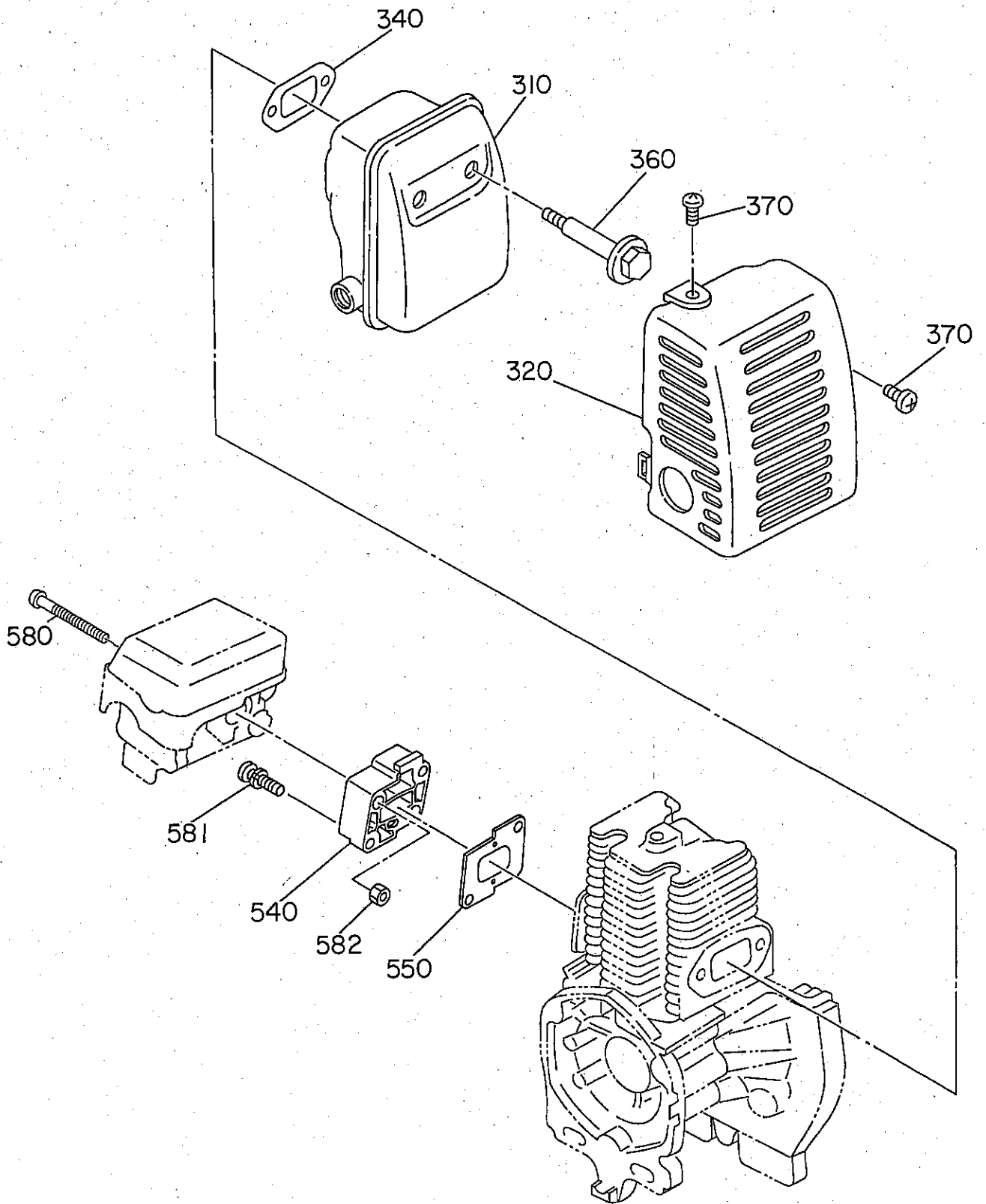
FIG. 200



2 CRANKSHAFT & PISTON

| REF. | PART NUMBER  | PART NAME      | QTY | REMARKS | CODE NO.<br>FROM-TO | INTERCHANGEABLE<br>PART NUMBER | UNIT<br>PRICE | FIG. |
|------|--------------|----------------|-----|---------|---------------------|--------------------------------|---------------|------|
| 10   | 531-20020-00 | CRANKSHAFT CP  | 1   |         | -                   |                                |               | 200  |
| 55   | 001-66061-60 | BOLT           | 1   |         | -                   |                                |               | 200  |
| 60   | 003-20060-00 | SPRING WASHER  | 1   |         | -                   |                                |               | 200  |
| 65   | 020-00699-20 | WASHER         | 1   |         | -                   |                                |               | 200  |
| 70   | 032-30399-90 | WOODRUFF KEY   | 1   |         | -                   |                                |               | 200  |
| 350  | 531-25004-00 | PISTON PIN     | 1   |         | -                   | EC03F-2032                     |               | 200  |
| 360  | 531-25006-00 | PISTON         | 1   |         | -                   |                                |               | 200  |
| 370  | 598-25002-00 | PISTON RING    | 2   |         | -                   | KN21-206A                      |               | 200  |
| 380  | 056-50899-80 | CLIP           | 2   |         | -                   | EC01A-2033                     |               | 200  |
| 390  | 061-00899-90 | NEEDLE BEARING | 1   |         | -                   |                                |               | 200  |
|      |              |                |     |         |                     |                                |               |      |
|      |              |                |     |         |                     |                                |               |      |
|      |              |                |     |         |                     |                                |               |      |
|      |              |                |     |         |                     |                                |               |      |
|      |              |                |     |         |                     |                                |               |      |
|      |              |                |     |         |                     |                                |               |      |
|      |              |                |     |         |                     |                                |               |      |
|      |              |                |     |         |                     |                                |               |      |
|      |              |                |     |         |                     |                                |               |      |
|      |              |                |     |         |                     |                                |               |      |
|      |              |                |     |         |                     |                                |               |      |
|      |              |                |     |         |                     |                                |               |      |
|      |              |                |     |         |                     |                                |               |      |
|      |              |                |     |         |                     |                                |               |      |
|      |              |                |     |         |                     |                                |               |      |
|      |              |                |     |         |                     |                                |               |      |
|      |              |                |     |         |                     |                                |               |      |
|      |              |                |     |         |                     |                                |               |      |
|      |              |                |     |         |                     |                                |               |      |
|      |              |                |     |         |                     |                                |               |      |
|      |              |                |     |         |                     |                                |               |      |
|      |              |                |     |         |                     |                                |               |      |
|      |              |                |     |         |                     |                                |               |      |
|      |              |                |     |         |                     |                                |               |      |
|      |              |                |     |         |                     |                                |               |      |
|      |              |                |     |         |                     |                                |               |      |

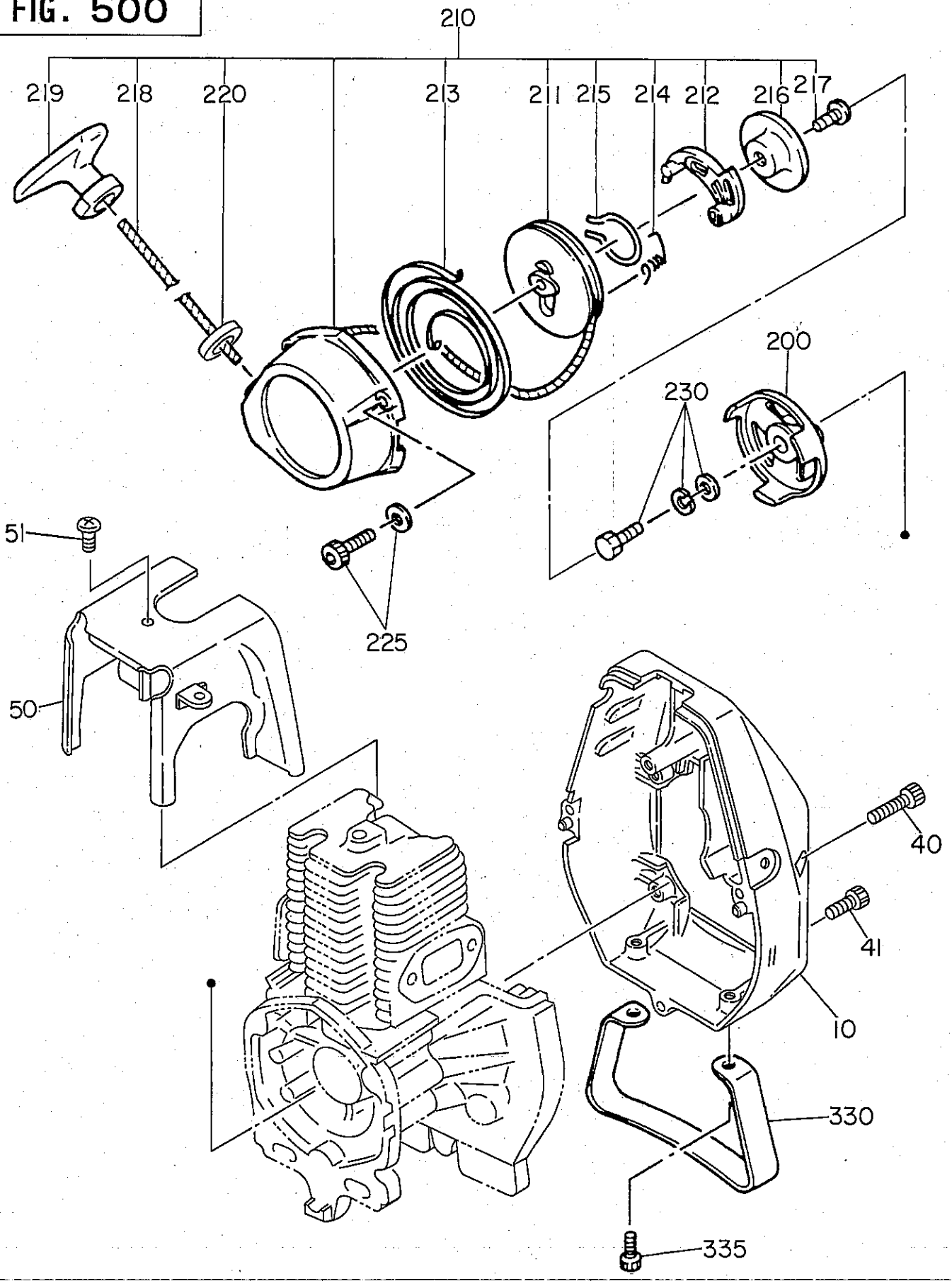
FIG. 300



3 MUFFLER

| REF. | PART NUMBER  | PART NAME        | QTY | REMARKS | CODE NO.<br>FROM-TO | INTERCHANGEABLE<br>PART NUMBER | UNIT<br>PRICE | FIG. |
|------|--------------|------------------|-----|---------|---------------------|--------------------------------|---------------|------|
| 310  | 531-30070-00 | MUFFLER CP       | 1   |         | -                   |                                |               | 300  |
| 320  | 531-35003-00 | MUFFLER COVER    | 1   |         | -                   | EC03F-3201/3                   |               | 300  |
| 340  | 531-35006-00 | GASKET           | 1   |         | -                   | EC03F-3901A                    |               | 300  |
| 360  | 011-90596-70 | SOCKET HEAD BOLT | 2   |         | -                   |                                |               | 300  |
| 370  | 014-00599-20 | SCREW            | 2   |         | -                   | EC03F-3998                     |               | 300  |
| 540  | 531-35004-00 | INSULATOR        | 1   |         | -                   | EC03F-3301B                    |               | 300  |
| 550  | 531-35007-00 | GASKET           | 1   |         | -                   | EC03F-3920/1B                  |               | 300  |
| 580  | 014-00498-00 | SCREW            | 2   |         | -                   |                                |               | 300  |
| 581  | 011-90596-30 | SOCKET HEAD BOLT | 2   |         | -                   |                                |               | 300  |
| 582  | 002-17040-00 | NUT              | 2   |         | -                   |                                |               | 300  |
|      |              |                  |     |         |                     |                                |               |      |
|      |              |                  |     |         |                     |                                |               |      |
|      |              |                  |     |         |                     |                                |               |      |
|      |              |                  |     |         |                     |                                |               |      |
|      |              |                  |     |         |                     |                                |               |      |
|      |              |                  |     |         |                     |                                |               |      |
|      |              |                  |     |         |                     |                                |               |      |
|      |              |                  |     |         |                     |                                |               |      |
|      |              |                  |     |         |                     |                                |               |      |
|      |              |                  |     |         |                     |                                |               |      |
|      |              |                  |     |         |                     |                                |               |      |
|      |              |                  |     |         |                     |                                |               |      |
|      |              |                  |     |         |                     |                                |               |      |
|      |              |                  |     |         |                     |                                |               |      |
|      |              |                  |     |         |                     |                                |               |      |
|      |              |                  |     |         |                     |                                |               |      |
|      |              |                  |     |         |                     |                                |               |      |
|      |              |                  |     |         |                     |                                |               |      |
|      |              |                  |     |         |                     |                                |               |      |
|      |              |                  |     |         |                     |                                |               |      |
|      |              |                  |     |         |                     |                                |               |      |
|      |              |                  |     |         |                     |                                |               |      |
|      |              |                  |     |         |                     |                                |               |      |
|      |              |                  |     |         |                     |                                |               |      |
|      |              |                  |     |         |                     |                                |               |      |
|      |              |                  |     |         |                     |                                |               |      |
|      |              |                  |     |         |                     |                                |               |      |
|      |              |                  |     |         |                     |                                |               |      |
|      |              |                  |     |         |                     |                                |               |      |
|      |              |                  |     |         |                     |                                |               |      |
|      |              |                  |     |         |                     |                                |               |      |
|      |              |                  |     |         |                     |                                |               |      |
|      |              |                  |     |         |                     |                                |               |      |
|      |              |                  |     |         |                     |                                |               |      |
|      |              |                  |     |         |                     |                                |               |      |
|      |              |                  |     |         |                     |                                |               |      |
|      |              |                  |     |         |                     |                                |               |      |
|      |              |                  |     |         |                     |                                |               |      |
|      |              |                  |     |         |                     |                                |               |      |

FIG. 500

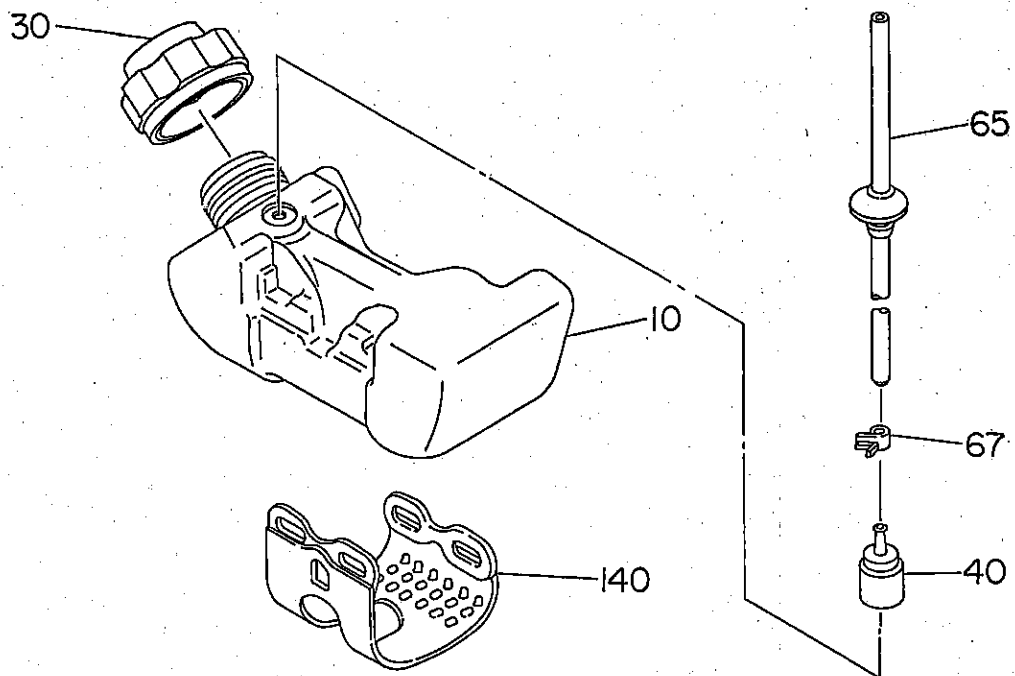
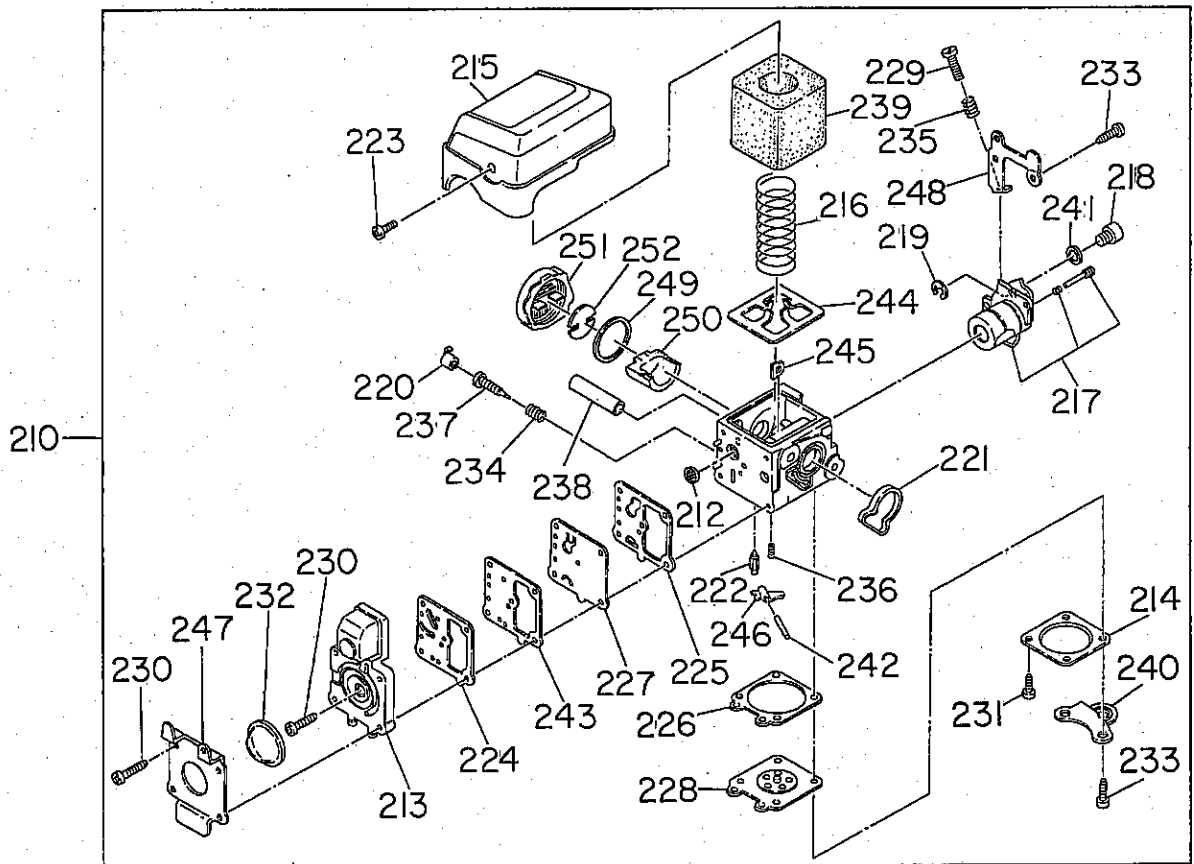




5 RECOIL STARTER AY

| REF. | PART NUMBER  | PART NAME         | QTY | REMARKS | CODE NO.<br>FROM-TO | INTERCHANGEABLE<br>PART NUMBER | UNIT<br>PRICE | FIG. |
|------|--------------|-------------------|-----|---------|---------------------|--------------------------------|---------------|------|
| 10   | 531-55001-00 | BLOWER HOUSING    | 1   |         | -                   | EC03F-5102-D                   |               | 500  |
| 40   | 011-90598-30 | SOCKET HEAD BOLT  | 1   |         | -                   |                                |               | 500  |
| 41   | 011-90599-50 | BOLT              | 2   |         | -                   | EC03-9301                      |               | 500  |
| 50   | 531-55005-00 | CYLINDER COVER    | 1   |         | -                   | EC03F-5101/3A-D                |               | 500  |
| 51   | 014-00599-20 | SCREW             | 1   |         | -                   | EC03F-3998                     |               | 500  |
| 200  | 531-55004-00 | STARTER PULLEY    | 1   |         | -                   | EC03F-5201/1A                  |               | 500  |
| 210  | 531-50010-01 | RECOIL STARTER AY | 1   |         | -                   |                                |               | 500  |
| 211  | 502-50010-10 | REEL              | 1   |         | -                   |                                |               | 500  |
| 212  | 510-50150-20 | RATCHET           | 1   |         | -                   |                                |               | 500  |
| 213  | 510-50150-40 | SPIRAL SPRING     | 1   |         | -                   |                                |               | 500  |
| 214  | 510-50150-60 | RETURN SPRING     | 1   |         | -                   |                                |               | 500  |
| 215  | 510-50150-50 | FRICTION SPRING   | 1   |         | -                   |                                |               | 500  |
| 216  | 550-50010-30 | FRICTION PLATE    | 1   |         | -                   |                                |               | 500  |
| 217  | 510-50151-10 | SET SCREW         | 1   |         | -                   |                                |               | 500  |
| 218  | 524-50010-50 | STARTER ROPE      | 1   |         | -                   |                                |               | 500  |
| 219  | 530-50021-10 | STARTER KNOBE CP  | 1   |         | -                   |                                |               | 500  |
| 220  | 524-50010-30 | ROPE GUIDE        | 1   |         | -                   |                                |               | 500  |
| 225  | 011-90599-50 | BOLT              | 3   |         | -                   | EC03-9301                      |               | 500  |
| 230  | 620-20060-00 | BOLT AY           | 1   |         | -                   |                                |               | 500  |
| 330  | 630-55005-00 | STAND             | 1   |         | -                   | NB03D-5110B-SA                 |               | 500  |
| 335  | 011-90599-00 | BOLT, SOCKET HEAD | 2   |         | -                   |                                |               | 500  |
|      |              |                   |     |         |                     |                                |               |      |
|      |              |                   |     |         |                     |                                |               |      |
|      |              |                   |     |         |                     |                                |               |      |
|      |              |                   |     |         |                     |                                |               |      |
|      |              |                   |     |         |                     |                                |               |      |
|      |              |                   |     |         |                     |                                |               |      |
|      |              |                   |     |         |                     |                                |               |      |
|      |              |                   |     |         |                     |                                |               |      |
|      |              |                   |     |         |                     |                                |               |      |
|      |              |                   |     |         |                     |                                |               |      |
|      |              |                   |     |         |                     |                                |               |      |
|      |              |                   |     |         |                     |                                |               |      |
|      |              |                   |     |         |                     |                                |               |      |
|      |              |                   |     |         |                     |                                |               |      |

FIG. 600



6 FUEL TANK, CARBURETOR

| REF. | PART NUMBER  | PART NAME         | QTY | REMARKS | CODE NO.<br>FROM-TO | INTERCHANGEABLE<br>PART NUMBER | UNIT<br>PRICE | FIG. |
|------|--------------|-------------------|-----|---------|---------------------|--------------------------------|---------------|------|
| 10   | 531-65000-00 | FUEL TANK         | 1   |         | -                   | EC03F-6001/2                   |               | 600  |
| 30   | 531-60020-03 | CAP               | 1   |         | -                   |                                |               | 600  |
| 40   | 523-65039-00 | FILTER            | 1   |         | -                   |                                |               | 600  |
| 65   | 085-12099-80 | TUBE CP           | 1   |         | -                   | EC03F-0611                     |               | 600  |
| 67   | 056-10599-90 | HOSE CLAMP        | 1   |         | -                   | EC01A-6070                     |               | 600  |
| 140  | 531-60010-00 | STRAP             | 1   |         | -                   | EC03F-0601A-SA                 |               | 600  |
| 210  | 531-60040-00 | CARBURETOR AY     | 1   |         | -                   | EC03F-0698                     |               | 600  |
| 212  | 531-60050-10 | INLET SCREEN      | 1   |         | -                   |                                |               | 600  |
| 213  | 531-60050-20 | PUMP COVER AY     | 1   |         | -                   |                                |               | 600  |
| 214  | 531-60050-30 | DIAPHRAGM COVER   | 1   |         | -                   |                                |               | 600  |
| 215  | 531-60050-40 | AIR CLEANER COVER | 1   |         | -                   |                                |               | 600  |
| 216  | 531-60050-50 | FILTER SPRING     | 1   |         | -                   |                                |               | 600  |
| 217  | 531-60050-60 | THROTTLE VALVE AY | 1   |         | -                   |                                |               | 600  |
| 218  | 531-60051-10 | SWIVEL            | 1   |         | -                   |                                |               | 600  |
| 219  | 531-60051-20 | RING              | 1   |         | -                   |                                |               | 600  |
| 220  | 531-60051-30 | NEEDLE STOP       | 1   |         | -                   |                                |               | 600  |
| 221  | 531-60051-40 | PACKING           | 1   |         | -                   |                                |               | 600  |
| 222  | 531-60051-50 | VALVE             | 1   |         | -                   |                                |               | 600  |
| 223  | 531-60051-60 | SCREW             | 2   |         | -                   |                                |               | 600  |
| 224  | 531-60052-10 | GASKET            | 1   |         | -                   |                                |               | 600  |
| 225  | 531-60052-20 | GASKET            | 1   |         | -                   |                                |               | 600  |
| 226  | 531-60052-30 | GASKET            | 1   |         | -                   |                                |               | 600  |
| 227  | 531-60052-40 | DIAPHRAGM         | 1   |         | -                   |                                |               | 600  |
| 228  | 531-60052-50 | DIAPHRAGM AY      | 1   |         | -                   |                                |               | 600  |
| 229  | 531-60052-60 | ADJUSTER SCREW    | 1   |         | -                   |                                |               | 600  |
| 230  | 531-60053-10 | SCREW             | 5   |         | -                   |                                |               | 600  |
| 231  | 531-60053-20 | SCREW             | 2   |         | -                   |                                |               | 600  |
| 232  | 531-60056-20 | PUMP PRIMER       | 1   |         | -                   |                                |               | 600  |
| 233  | 531-60053-40 | SCREW             | 4   |         | -                   |                                |               | 600  |
| 234  | 531-60053-50 | NEEDLE SPRING     | 1   |         | -                   |                                |               | 600  |
| 235  | 531-60053-60 | ADJUSTER SPRING   | 1   |         | -                   |                                |               | 600  |
| 236  | 531-60054-10 | SPRING            | 1   |         | -                   |                                |               | 600  |
| 237  | 531-60054-20 | NEEDLE            | 1   |         | -                   |                                |               | 600  |
| 238  | 531-60054-30 | MOUNTING SLEEVE   | 2   |         | -                   |                                |               | 600  |
| 239  | 531-60054-40 | AIR FILTER        | 1   |         | -                   |                                |               | 600  |
| 240  | 531-60056-30 | CABLE BRACKET     | 1   |         | -                   |                                |               | 600  |

6 FUEL TANK, CARBURETOR

| REF. | PART NUMBER  | PART NAME | QTY | REMARKS | CODE NO. FROM-TO | INTERCHANGEABLE PART NUMBER | UNIT PRICE | FIG. |
|------|--------------|-----------|-----|---------|------------------|-----------------------------|------------|------|
| 241  | 531-60054-60 | WASHER    | 1   |         | -                |                             |            | 600  |
| 242  | 531-60055-10 | PIN       | 1   |         | -                |                             |            | 600  |
| 243  | 531-60055-20 | PLATE     | 1   |         | -                |                             |            | 600  |
| 244  | 531-60055-30 | PLATE     | 1   |         | -                |                             |            | 600  |
| 245  | 531-60055-40 | PLATE     | 2   |         | -                |                             |            | 600  |
| 246  | 531-60055-50 | LEVER     | 1   |         | -                |                             |            | 600  |
| 247  | 531-60055-60 | BRACKET   | 1   |         | -                |                             |            | 600  |
| 248  | 531-60056-10 | BRACKET   | 1   |         | -                |                             |            | 600  |
| 249  | 531-60056-60 | GASKET    | 1   |         | -                |                             |            | 600  |
| 250  | 531-60057-10 | FILTER    | 1   |         | -                |                             |            | 600  |
| 251  | 531-60056-40 | CAP       | 1   |         | -                |                             |            | 600  |
| 252  | 531-60056-50 | PLATE     | 1   |         | -                |                             |            | 600  |
|      |              |           |     |         |                  |                             |            |      |
|      |              |           |     |         |                  |                             |            |      |
|      |              |           |     |         |                  |                             |            |      |
|      |              |           |     |         |                  |                             |            |      |
|      |              |           |     |         |                  |                             |            |      |
|      |              |           |     |         |                  |                             |            |      |
|      |              |           |     |         |                  |                             |            |      |
|      |              |           |     |         |                  |                             |            |      |
|      |              |           |     |         |                  |                             |            |      |
|      |              |           |     |         |                  |                             |            |      |
|      |              |           |     |         |                  |                             |            |      |
|      |              |           |     |         |                  |                             |            |      |
|      |              |           |     |         |                  |                             |            |      |
|      |              |           |     |         |                  |                             |            |      |
|      |              |           |     |         |                  |                             |            |      |
|      |              |           |     |         |                  |                             |            |      |
|      |              |           |     |         |                  |                             |            |      |
|      |              |           |     |         |                  |                             |            |      |
|      |              |           |     |         |                  |                             |            |      |
|      |              |           |     |         |                  |                             |            |      |
|      |              |           |     |         |                  |                             |            |      |
|      |              |           |     |         |                  |                             |            |      |
|      |              |           |     |         |                  |                             |            |      |
|      |              |           |     |         |                  |                             |            |      |
|      |              |           |     |         |                  |                             |            |      |
|      |              |           |     |         |                  |                             |            |      |
|      |              |           |     |         |                  |                             |            |      |
|      |              |           |     |         |                  |                             |            |      |
|      |              |           |     |         |                  |                             |            |      |
|      |              |           |     |         |                  |                             |            |      |
|      |              |           |     |         |                  |                             |            |      |
|      |              |           |     |         |                  |                             |            |      |

FIG. 700

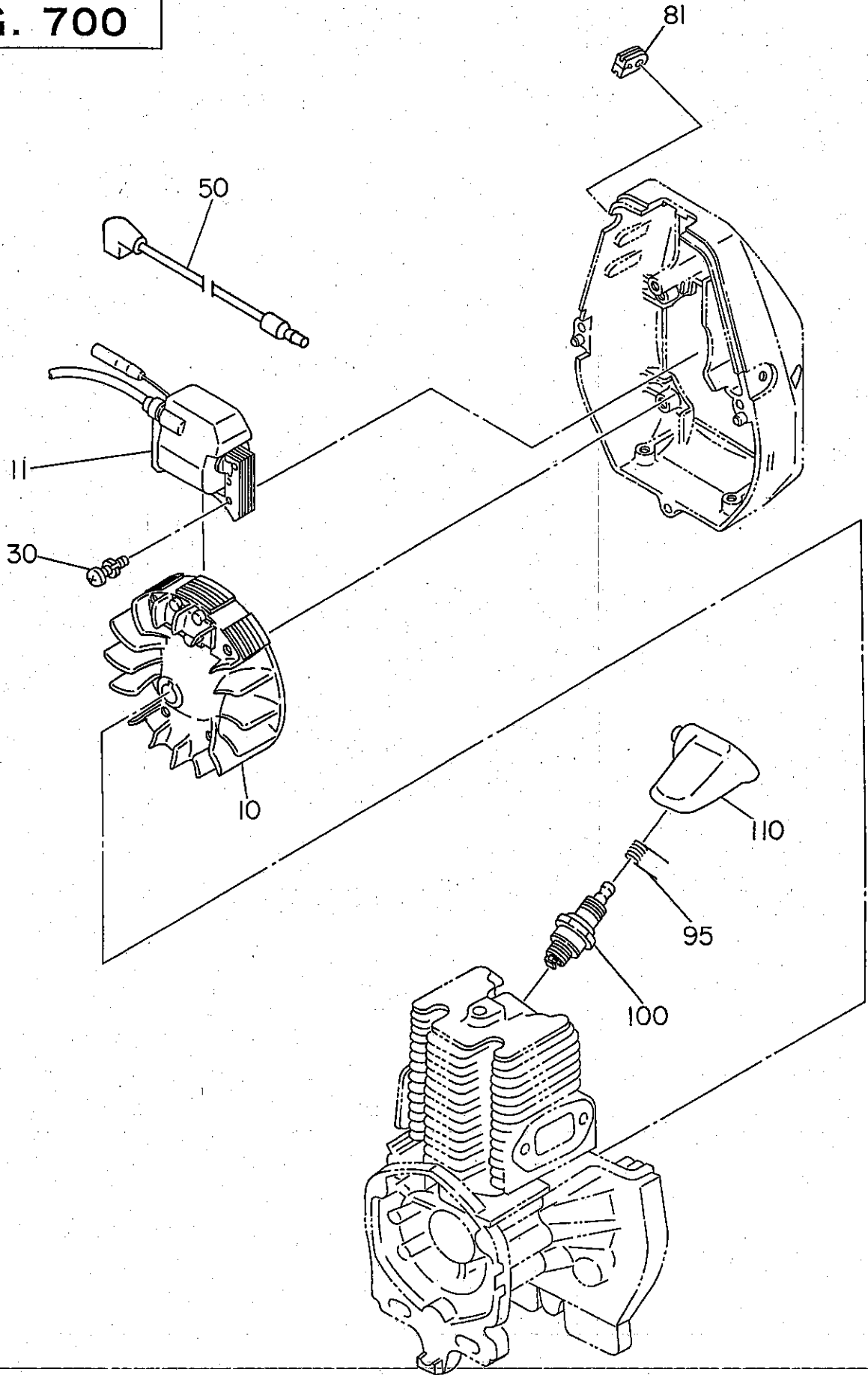
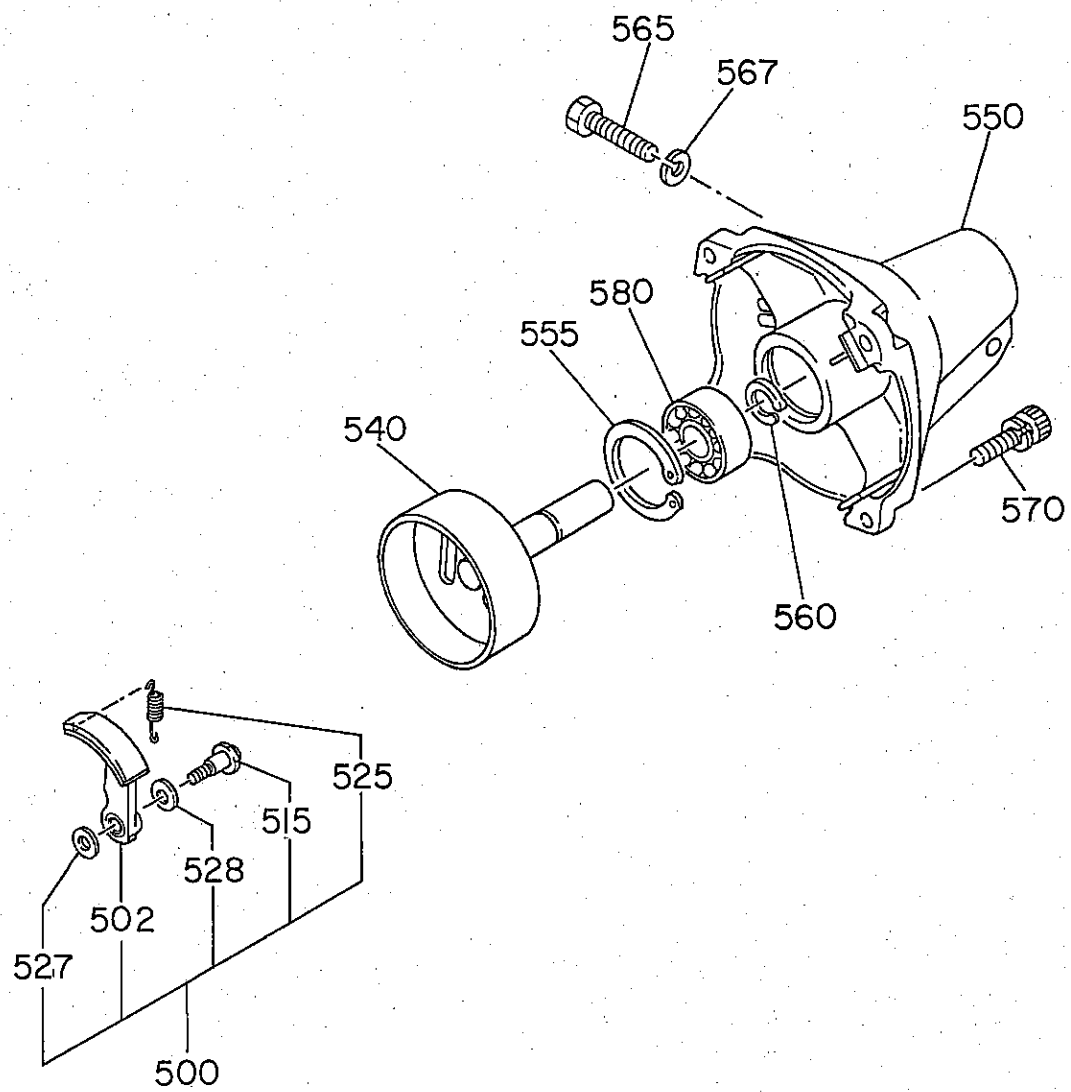




FIG. 800



8 CLUTCH

| REF. | PART NUMBER  | PART NAME        | QTY | REMARKS | CODE NO.<br>FROM-TO | INTERCHANGEABLE<br>PART NUMBER | UNIT<br>PRICE | FIG. |
|------|--------------|------------------|-----|---------|---------------------|--------------------------------|---------------|------|
| 500  | 625-20040-00 | CLUTCH CP        | 1   |         | -                   | NB31-2051                      |               | 800  |
| 502  | 640-25001-00 | CLUTCH SHOE      | 3   |         | -                   | NB04D-2103                     |               | 800  |
| 515  | 625-25005-00 | CLUTCH BOLT      | 3   |         | -                   | NB31-2103                      |               | 800  |
| 525  | 640-25003-00 | SPRING           | 3   |         | -                   | NB04D-2105                     |               | 800  |
| 527  | 620-25006-00 | WASHER           | 3   |         | -                   | NB02A-207                      |               | 800  |
| 528  | 020-00899-10 | WASHER           | 3   |         | -                   |                                |               | 800  |
| 540  | 531-80010-00 | CLUTCH DRUM CP   | 1   |         | -                   | EC03F-0801                     |               | 800  |
| 550  | 531-85001-00 | CLUTCH CASE      | 1   |         | -                   | EC03F-8010-D                   |               | 800  |
| 555  | 003-14320-00 | SNAP RING, INNER | 1   |         | -                   |                                |               | 800  |
| 560  | 003-15120-00 | SNAP RING        | 1   |         | -                   |                                |               | 800  |
| 565  | 001-66062-50 | BOLT             | 1   |         | -                   |                                |               | 800  |
| 567  | 003-20060-00 | SPRING WASHER    | 1   |         | -                   |                                |               | 800  |
| 570  | 011-90599-50 | BOLT             | 4   |         | -                   | EC03-9301                      |               | 800  |
| 580  | 625-25007-00 | BALL BEARING     | 1   |         | -                   | NB25-2115                      |               | 800  |
|      |              |                  |     |         |                     |                                |               |      |
|      |              |                  |     |         |                     |                                |               |      |
|      |              |                  |     |         |                     |                                |               |      |
|      |              |                  |     |         |                     |                                |               |      |
|      |              |                  |     |         |                     |                                |               |      |
|      |              |                  |     |         |                     |                                |               |      |
|      |              |                  |     |         |                     |                                |               |      |
|      |              |                  |     |         |                     |                                |               |      |
|      |              |                  |     |         |                     |                                |               |      |
|      |              |                  |     |         |                     |                                |               |      |
|      |              |                  |     |         |                     |                                |               |      |
|      |              |                  |     |         |                     |                                |               |      |
|      |              |                  |     |         |                     |                                |               |      |
|      |              |                  |     |         |                     |                                |               |      |
|      |              |                  |     |         |                     |                                |               |      |
|      |              |                  |     |         |                     |                                |               |      |
|      |              |                  |     |         |                     |                                |               |      |
|      |              |                  |     |         |                     |                                |               |      |
|      |              |                  |     |         |                     |                                |               |      |
|      |              |                  |     |         |                     |                                |               |      |
|      |              |                  |     |         |                     |                                |               |      |
|      |              |                  |     |         |                     |                                |               |      |
|      |              |                  |     |         |                     |                                |               |      |
|      |              |                  |     |         |                     |                                |               |      |
|      |              |                  |     |         |                     |                                |               |      |
|      |              |                  |     |         |                     |                                |               |      |
|      |              |                  |     |         |                     |                                |               |      |
|      |              |                  |     |         |                     |                                |               |      |
|      |              |                  |     |         |                     |                                |               |      |
|      |              |                  |     |         |                     |                                |               |      |
|      |              |                  |     |         |                     |                                |               |      |
|      |              |                  |     |         |                     |                                |               |      |
|      |              |                  |     |         |                     |                                |               |      |
|      |              |                  |     |         |                     |                                |               |      |
|      |              |                  |     |         |                     |                                |               |      |
|      |              |                  |     |         |                     |                                |               |      |
|      |              |                  |     |         |                     |                                |               |      |
|      |              |                  |     |         |                     |                                |               |      |
|      |              |                  |     |         |                     |                                |               |      |
|      |              |                  |     |         |                     |                                |               |      |
|      |              |                  |     |         |                     |                                |               |      |
|      |              |                  |     |         |                     |                                |               |      |
|      |              |                  |     |         |                     |                                |               |      |
|      |              |                  |     |         |                     |                                |               |      |
|      |              |                  |     |         |                     |                                |               |      |
|      |              |                  |     |         |                     |                                |               |      |
|      |              |                  |     |         |                     |                                |               |      |
|      |              |                  |     |         |                     |                                |               |      |