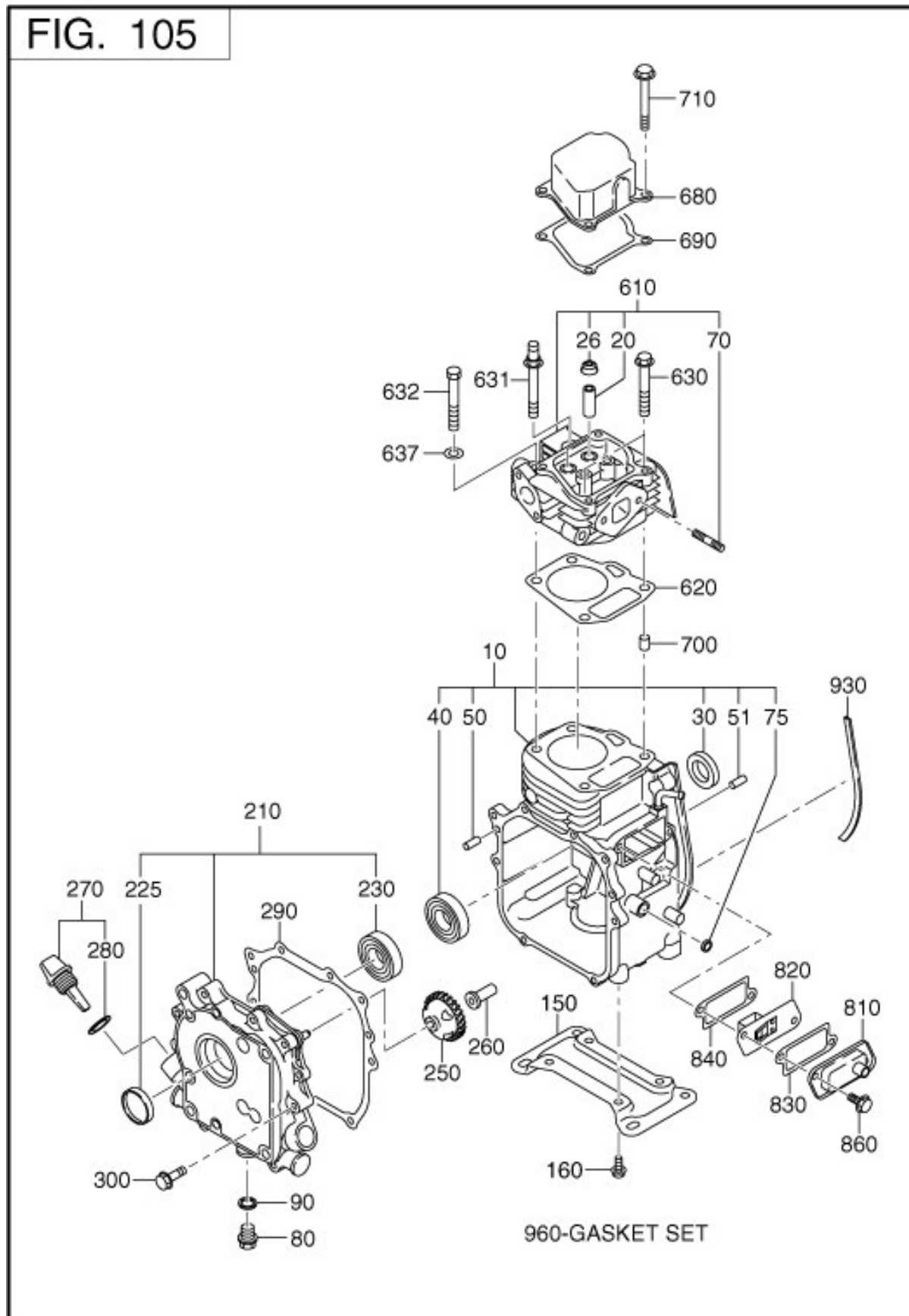


1 CRANKCASE GROUP

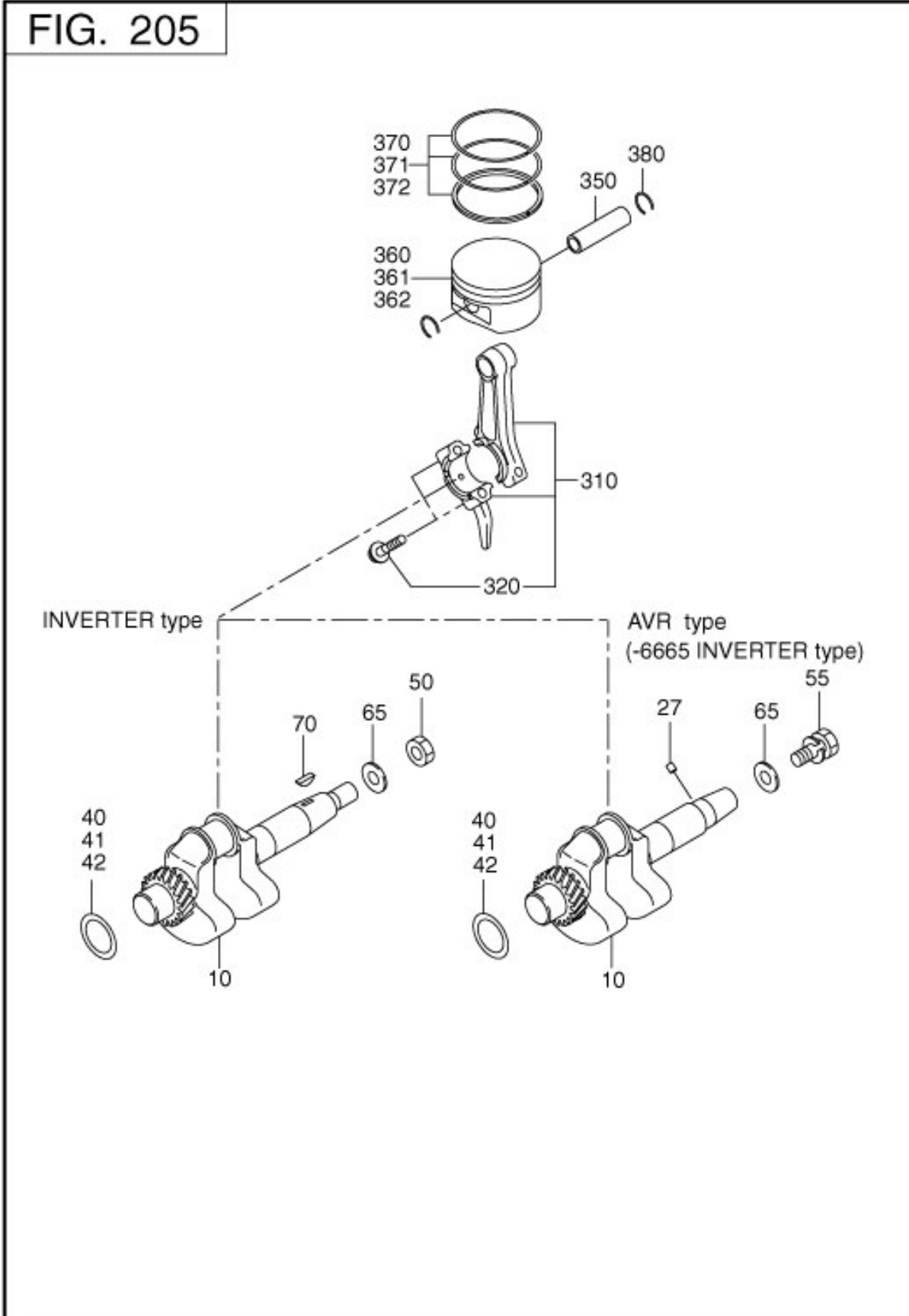


REF.	PART NUMBER	PART NAME	CODE NO.	QTY	REMARKS	INTERCHANGE
10	20F-10103-31	CRANKCASE CP	8706-	1		20F-10108-01
	20F-10103-21	CRANKCASE CP	8218-8705	1		20F-10103-31
	20F-10103-11	CRANKCASE CP	7731-8217	1		20F-10103-21
	284-10103-11	CRANKCASE CP	-7730	1		20F-10103-11
20	237-14202-03	VALVE GUIDE	-	2	5. 5DX9. 5DX27L	
26	20F-16010-01	STEM SEAL	7731-	1	5. 5DX9. 5DX15DX7. 8B	277-16010-01
	277-16010-01	STEM SEAL	-7730	1	5. 5DX9. 5DX15DX7. 8B	
30	044-02000-70	OIL SEAL	7853-	1	20DX32DX6B	
	20F-02000-70	OIL SEAL	7731-7852	1	20DX32DX6B	044-02000-70
	044-02000-70	OIL SEAL	-7730	1	20DX32DX6B	
40	060-02001-40	BALL BEARING	-	1	20DX42DX12B	
50	X31-00600-50	DOWEL PIN	9498-	2	6DX14. 5L	031-00600-20
	20F-00600-23	DOWEL PIN	8706-9497	2	6DX14. 5L	031-00600-20
	031-00600-20	DOWEL PIN	-7730	2	6DX14. 5L	
51	277-15011-03	PIPE KNOCK	-7730	2	10. 3DX8. 5DX14L	
70	20F-50604-20	STUD	8979-	2	6X1. 0X84L	
	010-50604-20	STUD	-8978	2	M6X1. 0X84L	
75	20F-00600-20	OIL SEAL	7731-	1	6DX10DX2. 5B	044-00600-20
	044-00600-20	OIL SEAL	-7730	1	5. 6DX10DX2. 5B	
80	20F-11400-30	PLUG	7823-	1	14DX12L	040-11400-30
	040-11400-30	OIL DRAIN PLUG	-7822	1	M14X1. 5X20DX12L	
90	021-11400-20	GASKET 14	7884-	1	T=0. 3	
	X21-11400-20	GASKET	7731-7883	1	14DX18. 8DX3. 4T	021-11400-20
	021-11400-20	GASKET 14	-7730	1	T=0. 3	
210	20F-11201-31	MAINBEARING COVER CP	8767-	1		20F-11201-41
	20F-11201-21	MAINBEARING COVER CP	7884-8766	1		20F-11201-31
	284-11201-21	MAINBEARING COVER CP	-7883	1		20F-11201-21
225	230-17102-03	PLUG (RUBBER)	-	1	32DX5T	
230	060-02001-40	BALL BEARING	-	1	20DX42DX12B	

REF.	PART NUMBER	PART NAME	CODE NO.	QTY	REMARKS	INTERCHANGE
250	284-45003-01	GOVERNOR GEAR CP	-	1	44DX20T N=26	
260	205-41901-03	GOVERNOR SLEEVE	-	1	6DX9DX16DX26L	
270	20F-63601-11	OIL GAUGE CP	7731-	1	M18X1.5 L=38+18	
	230-63601-11	OIL GAUGE CP	-7730	1	M18X1.5 L=38+18	20F-63601-11
280	X21-31600-30	GASKET	7731-	1	16DX23DX1.2T RUBBER	021-31600-20
	021-31600-20	GASKET	-7730	1	16DX23DX1.2T RUBBER	
290	284-16003-03	GASKET(BEARING COVER	-	1	T=0.3	
300	20F-00601-01	FLANGE BOLT	7853-	8	M6X1.0X28L	011-00601-01
	011-00601-01	FLANGE BOLT	-7852	8	M6X1.0X13DX28L	
610	20F-13003-21	CYLINDER HEAD CP	8798-	1		
	20F-13003-11	CYLINDER HEAD CP	7731-8797	1		20F-13003-21
	284-13003-11	CYLINDER HEAD CP	-7730	1		20F-13003-11
620	284-15001-13	GASKET (HEAD)	-	1	T=0.2	
630	20F-00802-10	FLANGE BOLT	7853-	2	M8X1.25X55L	
	011-00802-10	FLANGE BOLT	-7852	2	M8X1.25X16DX55L	20F-00802-10
631	20F-00803-01	FLANGE BOLT	7853-	1	M8X1.25X25L-55L	011-00803-01
	011-00803-01	FLANGE BOLT	-7852	1	M8X1.25X25L-55L	
632	20F-00804-20	BOLT	7853-	1	M8X1.25X60L	010-00804-20
	010-00804-20	BOLT	-7852	1	M8X1.25X60L	
637	20F-00802-11	WASHER	7853-	1	8.5DX17DX3.2T	020-00802-10
	020-00802-10	WASHER	-7852	1	8.5DX17DX3.2T	
680	20F-15501-03	ROCKER COVER	7731-	1		
	284-15501-03	ROCKER COVER	-7730	1		20F-15501-03
690	284-16007-03	GASKET(ROCKER COVER)	-	1	T=0.5	
700	20F-15011-03	PIPE KNOCK	7731-	2	10.3DX8.5DX14L	277-15011-03
	277-15011-03	PIPE KNOCK	-7730	2	10.3DX8.5DX14L	
710	20F-00604-20	FLANGE BOLT	10014-	4	M6X1.0X30L	
	011-00604-20	FLANGE BOLT	-10013	4	M6X1.0X11DX30L	

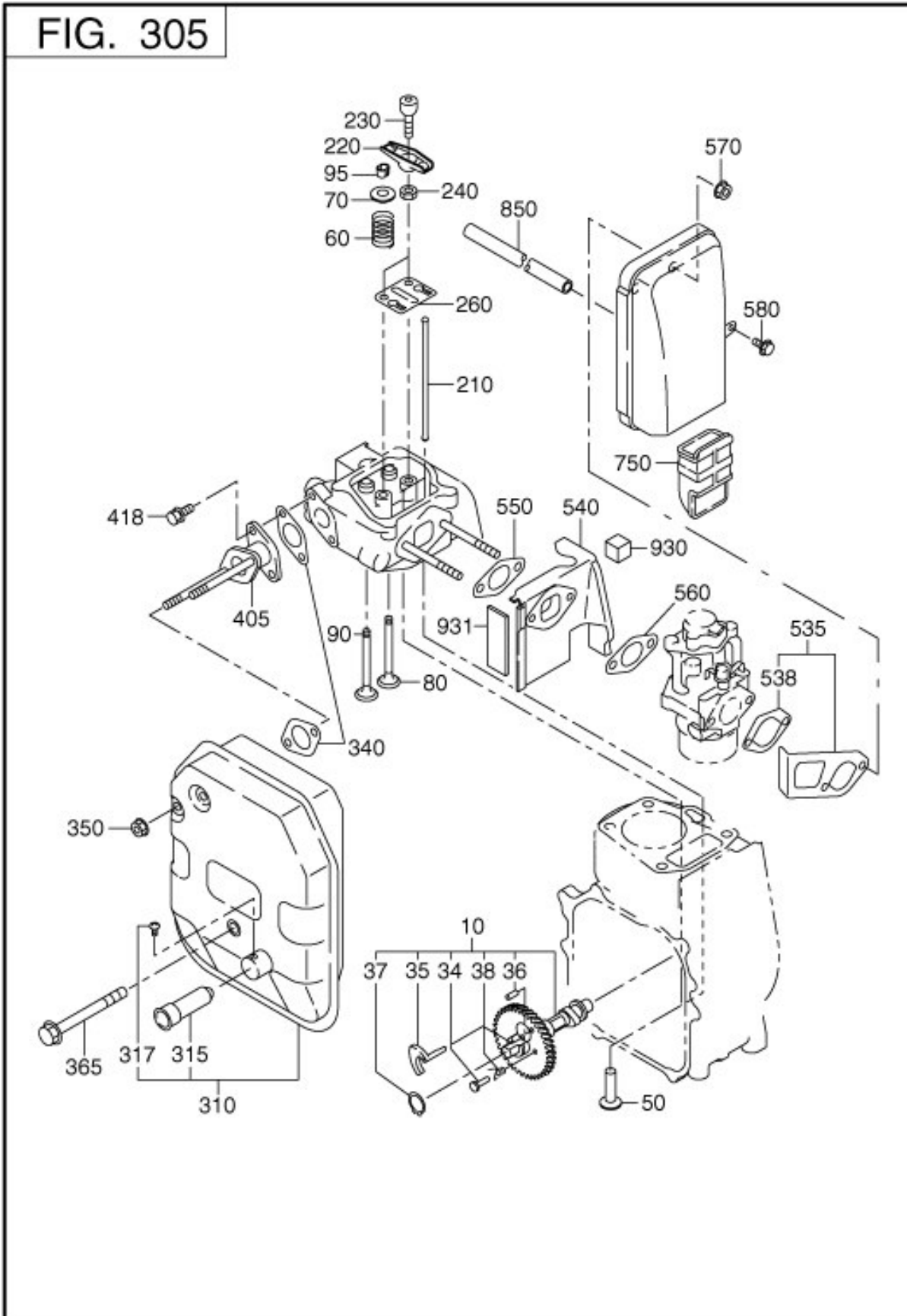
REF.	PART NUMBER	PART NAME	CODE NO.	QTY	REMARKS	INTERCHANGE
810	284-14301-01	BREATHER COVER CP	-	1		
820	284-14401-01	BREATHER PLATE CP	-	1		
830	284-16008-03	GASKET(TAPPET COVER)	9314-	1	T=0.8	
	230-16006-13	GASKET(TAPPET COVER)	-9313	1	T=0.8	284-16008-03
840	230-16007-03	GASKET (BREATHER)	-	1	T=2	
860	20F-00600-21	FLANGE BOLT	7853-	2	M6X1.0X13.5DX12L	011-00600-20
	011-00600-20	FLANGE BOLT	-7852	2	M6X1.0X14DX12L	
960	284-99002-17	GASKET SET	-	1		284-99002-27

2 CRANKSHAFT PISTON



REF.	PART NUMBER	PART NAME	CODE NO.	QTY	REMARKS	INTERCHANGE
10	20F-20601-01	CRANKSHAFT CP	7762-	1	L=171	
	284-20601-01	CRANKSHAFT CP	-7761	1	L=171	20F-20601-01
40	20F-02001-00	SPACER	7823-	1	20. 5X28X0. 8	023-02001-00
	023-02001-00	SPACER	-7822	1	20. 5DX28DX0. 8T	
41	20F-02001-90	SPACER	7823-	1	20. 5X28X1. 0	023-02001-10
	023-02001-10	SPACER	-7822	1	20. 5DX28DX1. 0T	
42	20F-02001-20	SPACER	7823-	1	20. 5X28X1. 2	023-02001-20
	023-02001-20	SPACER	-7822	1	20. 5DX28DX1. 2T	
70	005-32031-01	WOODRUFF KEY	-	1		
310	20F-22501-30	CONNECTING ROD AY	8310-	1	66CDX18B 21D-11D	
	284-22501-30	CONNECTING ROD AY	-8309	1	66CDX18B 21D-11D	20F-22501-30
320	20F-23001-03	CONNECTING ROD BOLT	8310-	2	M5X0. 8X11DX25L	
	284-23001-03	CONNECTING ROD BOLT	-8309	2	M5X0. 8X11DX25L	20F-23001-03
350	20F-23301-03	PISTON PIN	7823-	1	8DX11DX40L	
	230-23301-03	PISTON PIN	-7822	1	11DX8DX40L	20F-23301-03
360	20F-23401-H3	PISTON	7792-	1	STD	
	284-23401-H3	PISTON	-7791	1	STD (51DX31H)	20F-23401-H3
361	284-23402-H3	PISTON	-	1	0. 25 O. S. (51DX31H)	20F-23402-H3
362	284-23403-H3	PISTON	-	1	0. 50 O. S. (51DX31H)	20F-23403-H3
370	284-23501-07	PISTON RING SET	-	1	STD (51D)	
371	274-23502-07	PISTON RING SET	-	1	0. 25 O. S. (51D)	
372	274-23503-07	PISTON RING SET	-	1	0. 50 O. S. (51D)	
380	056-51100-10	CLIP	-	2	12DX1D	

3 INTAKE EXHAUST

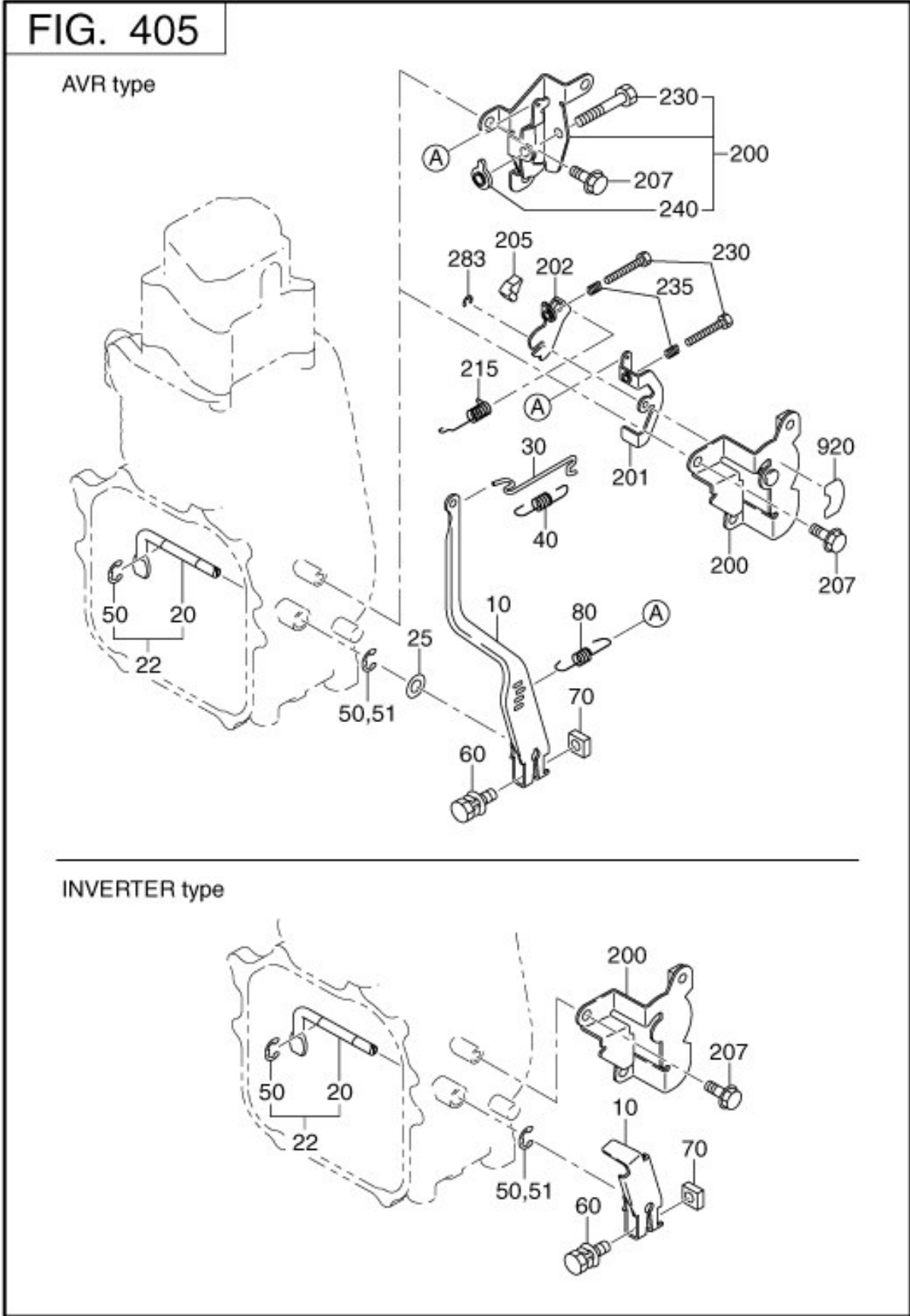


REF.	PART NUMBER	PART NAME	CODE NO.	QTY	REMARKS	INTERCHANGE
10	20F-31702-21	CAMSHAFT CP	9345-	1	L=92 63DX6. 6B N=38	
	20F-31702-11	CAMSHAFT CP	7731-9344	1	L=92 63DX6. 6B N=38	20F-31702-21
	284-31702-11	CAMSHAFT CP	-7730	1	L=92 63DX6. 6B N=38	20F-31702-11
34	20F-38601-23	PIN (SPRING)	7731-	1	3. 8DX7. 5DX14L	227-38601-23
	227-38601-23	PIN(SPRING)	-7730	1	3. 8DX7. 5DX14L	
35	20F-36401-03	RELEASE LEVER	7731-	1		
	284-36401-03	RELEASE LEVER	-7730	1		
36	20F-19041-00	SPRING PIN	7731-	1	4. 4DX10LX0. 8T	005-19041-00
	005-19041-00	SPRING PIN	-7730	1	4. 4DX10LX0. 8T	
37	20F-15170-00	SNAP RING OUT	7731-	1		
	003-15170-00	SNAP RING OUTER	-7730	1		
38	20F-38701-23	RETURN SPRING	7731-	1	5DX0. 45DX5. 3L N=10. 7	
	274-38701-23	RETURN SPRING	-7730	1	5DX0. 45DX5. 2L N=9. 7	
50	20F-33301-03	TAPPET	7762-	2	17DX8DX32L	274-33301-03
	274-33301-03	TAPPET	-7761	2	17DX8DX32L	
60	20F-33601-03	VALVE SPRING	8037-	2	17. 1DX2DX26. 7L N=5. 5	
	274-33601-03	VALVE SPRING	-8036	2	17. 1DX2DX26. 7L N=5. 5	20F-33601-03
70	20F-33702-03	SPRING RETAINER	7762-	2		
	274-33702-03	SPRING RETAINER	-7761	2		20F-33702-03
80	20F-33401-03	INTAKE VALVE	8037-	1	21DX5. 5DX63. 6L	274-33401-03
	284-33401-H3	INTAKE VALVE	-8036	1	21DX5. 5DX63. 6L	20F-33401-03
90	20F-33502-03	EXHAUST VALVE	8037-	1	18DX5. 5DX63. 6L	
	284-33501-H3	EXHAUST VALVE	-8036	1	18DX5. 5DX63. 6L	20F-33502-03
95	20F-10KA0-31	COLLET-VALVE	7853-	4		132-10KA0-31
	132-10KA0-31	COLLET-VALVE	-7852	4		
210	20F-35301-03	PUSH ROD	7762-	2	4DX121. 6L	
	274-35301-03	PUSH ROD	-7761	2	4DX121. 6L	20F-35301-03
220	20F-36001-13	ROCKER ARM	7823-	2		
	284-36001-13	ROCKER ARM	-7822	2		20F-36001-13



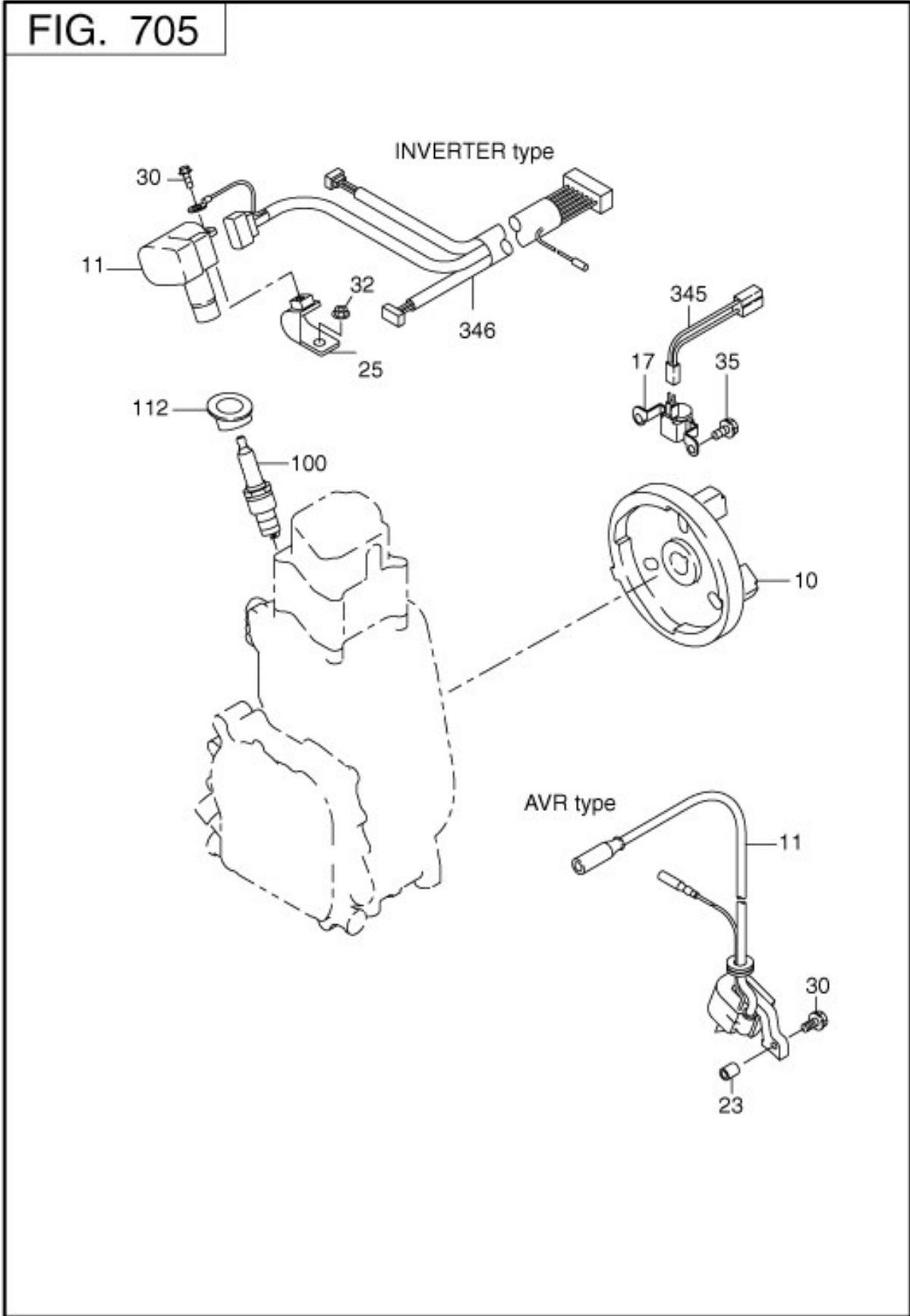
REF.	PART NUMBER	PART NAME	CODE NO.	QTY	REMARKS	INTERCHANGE
230	269-35802-03	BOLT (PIVOT)	8402-	2	M6X0.75X19L SOCKET H	
	269-35801-03	BOLT (PIVOT)	-8401	2	M6X0.75X19L SOCKET H	269-35802-03
240	X17-00600-90	NUT	10014-	2	M6X0.75X5.1H	017-00600-90
	017-00600-90	NUT	-10013	2	M6X0.75X5.1H	
260	20F-36501-03	GUIDE PLATE	7762-	1		274-36501-03
	274-36501-03	GUIDE PLATE	-7761	1		

### 4 GOVERNOR OPERATION



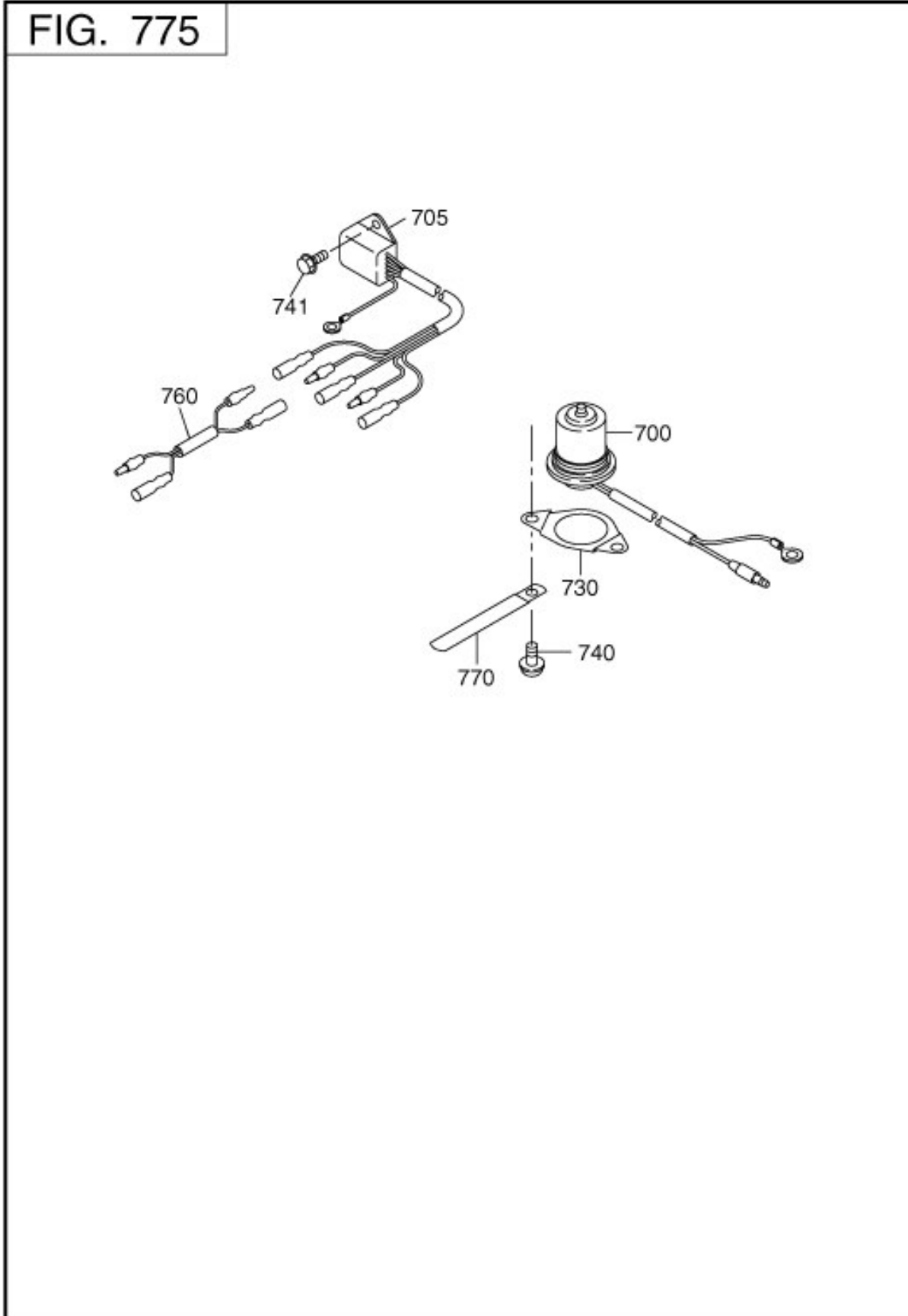
REF.	PART NUMBER	PART NAME	CODE NO.	QTY	REMARKS	INTERCHANGE
20	20F-42201-13	GOVERNOR SHAFT	7762-	1		230-42201-13
	230-42201-13	GOVERNOR SHAFT	-7761	1		230-42201-11
50	003-13050-00	CLIP	-	2	5DX11DX0. 6T	

7 ELECTRIC DEVICE



REF.	PART NUMBER	PART NAME	CODE NO.	QTY	REMARKS	INTERCHANGE
100	065-01403-80	SPARK PLUG	-	1	NGK BMR4A	

8 ELECTRIC DEVICE



REF.	PART NUMBER	PART NAME	CODE NO.	QTY	REMARKS	INTERCHANGE
700	230-76301-11	OIL SENSOR CP	-	1		
730	230-75801-03	SENSOR RETAINER	-	1		
740	X13-10600-80	SCREW AND WASHER AY	10014-	2	M6X1. 0X10L W/SW	
	004-35061-00	SCREW AND WASHER AY	-10013	2	M6X1. 0X10L W/SW	
770	226-75101-03	CLAMP	-	1	6. 5DX10BX55LX0. 7T	