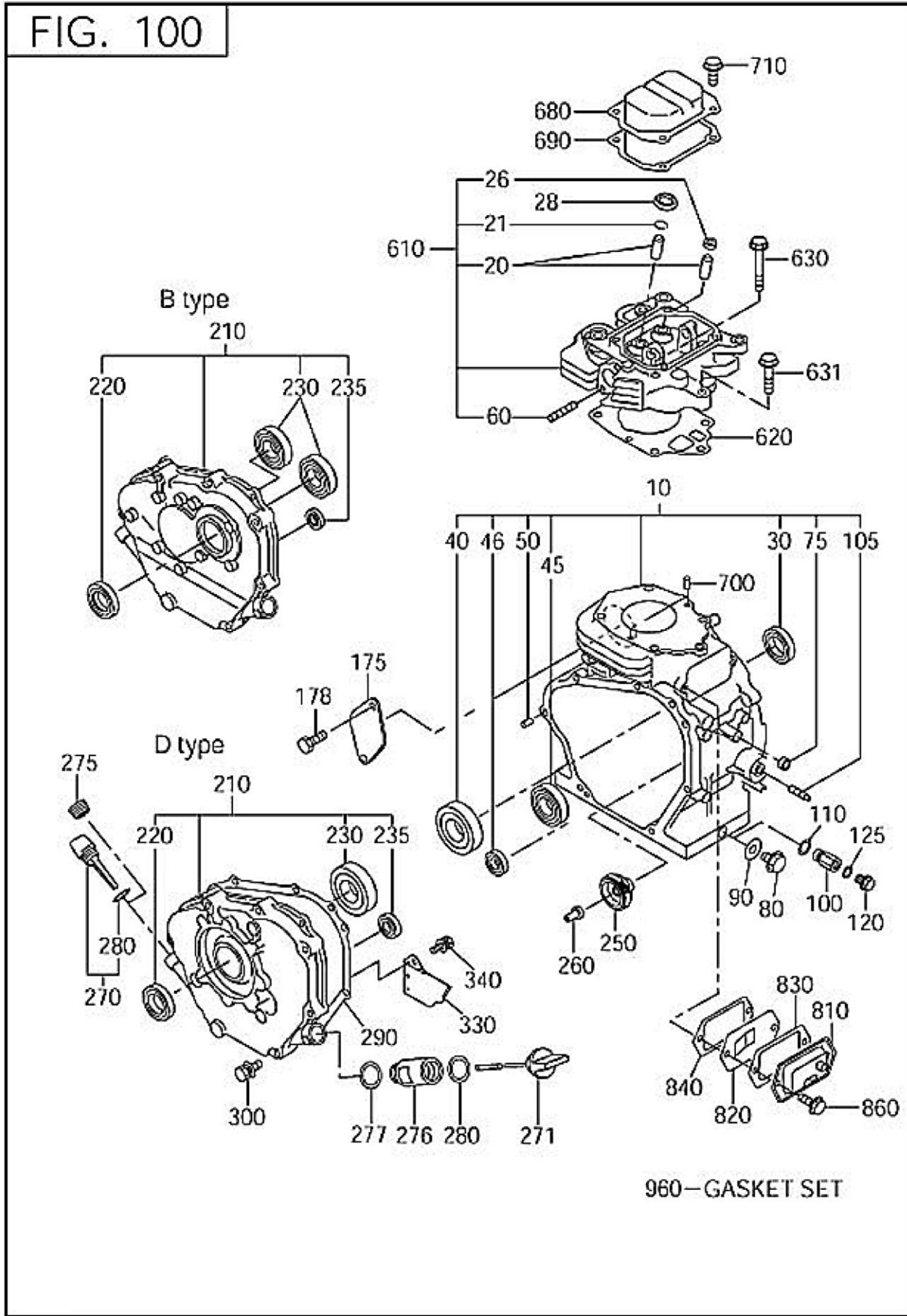


EH34

247077000W01

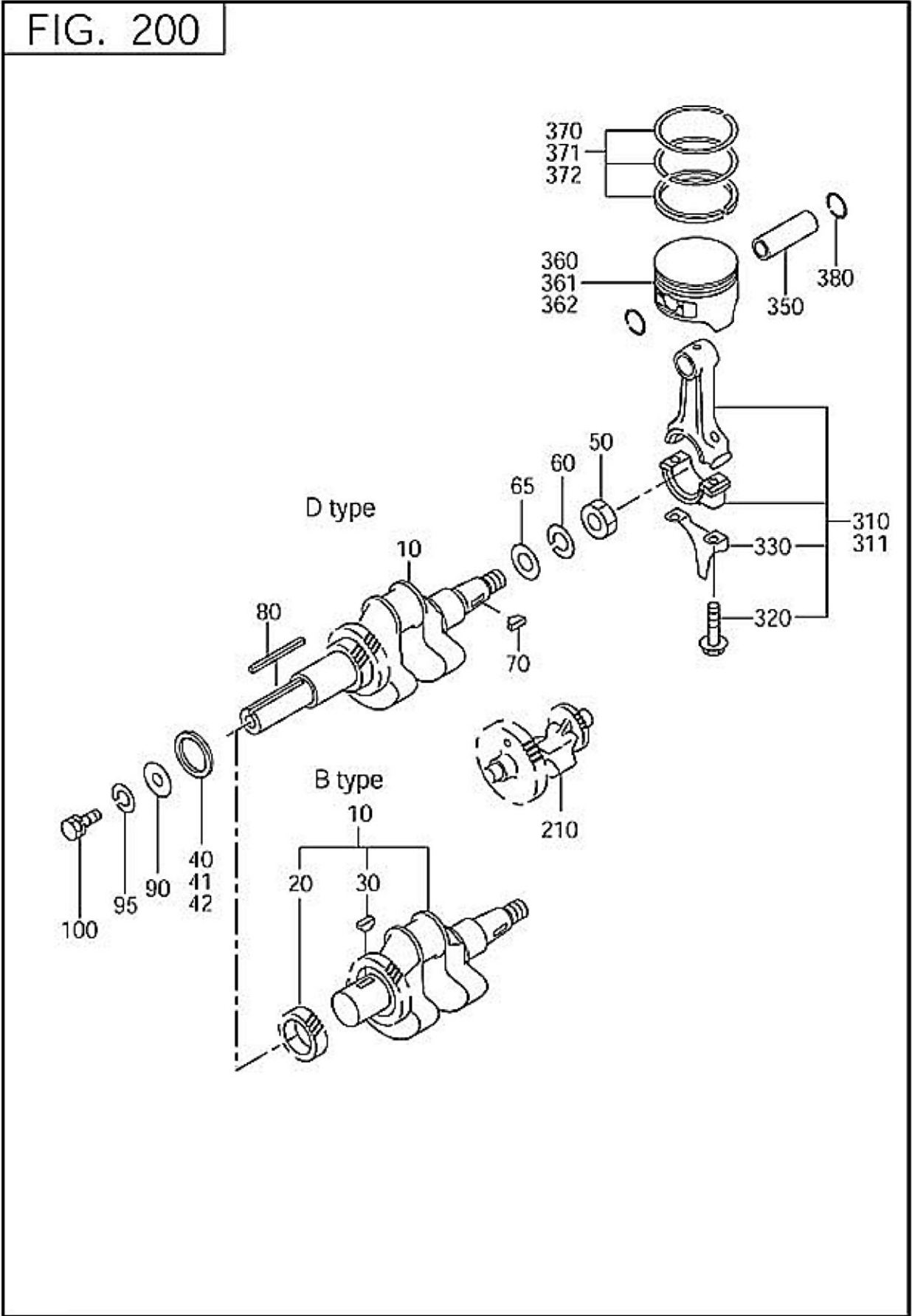
Ref #	Part #	Description	Qty	Context Note	Foot Note
700	KS3-11013-01	OIL LEVEL SENSOR AY	1		
700	227-76015-01	OIL LEVEL SENSOR CP	1	End Code: 2769.	
710	246-76201-03	JOINT	1	End Code: 2769.	
725	246-76202-03	SPACER(JOINT)	1	End Code: 2769.	
730	246-76003-01	BRACKET(SENSOR)	1	End Code: 2769.	
740	004-36061-00	SCREW AND WASHER AY	2	End Code: 2769.	
750	011-00600-10	FLANGE BOLT	2	M6X1.10X8	
760	246-73118-01	WIRE 18 CP	1	Start Code: 2770.	
770	056-60002-60	CLAMP	1		



EH34

247010000W01

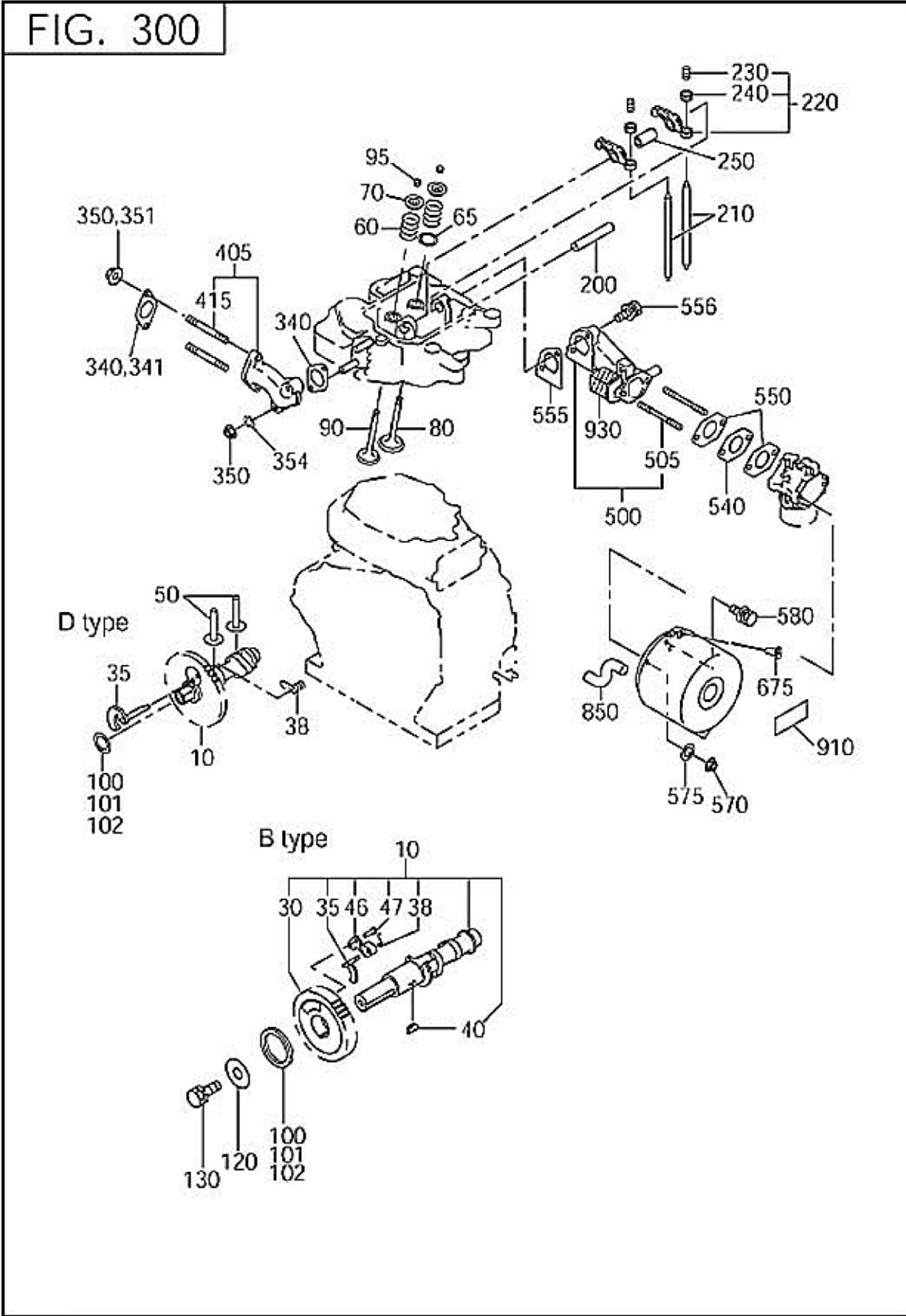
Ref #	Part #	Description	Qty	Context Note	Foot Note
10	247-10120-01	CRANKCASE CP	1		
20	246-14202-03	VALVE GUIDE	2	Remarks: OVER SIZE.	
21	056-51000-30	CLIP	1		
30	044-03500-90	OIL SEAL	1	Remarks: 35X48X8.	
40	060-03500-10	BALL BEARING	1	Remarks: BB6207C3.	
46	060-01500-10	BALL BEARING	1	Remarks: BB6202C3.	
50	031-00600-20	DOWEL PIN	2		
60	010-50804-30	STUD	2		
80	040-11400-30	PLUG	2		
90	021-11400-20	GASKET	2		
130	251-66301-01	ELBOW	1		
210	246-11002-31	MAIN BEARING COVER C	1		
220	044-03500-90	OIL SEAL	1	Remarks: 35X48X8.	
230	060-03500-10	BALL BEARING	1	Remarks: BB6207C3.	
235	060-01500-10	BALL BEARING	1	Remarks: BB6202C3.	
250	246-45001-01	GOVERNOR GEAR CP	1		
260	205-41901-03	GOVERNOR SLEEVE	1		
270	224-63601-03	OIL GAUGE	1		
280	021-32000-10	GASKET	1		
290	246-15101-03	GASKET(BEARING COVER	1		
300	001-13084-00	BOLT AND WASHER AY	7		
610	247-13011-21	CYLINDER HEAD CP	1	Start Code: 4809.	
610	247-13011-11	CYLINDER HEAD CP	1	End Code: 4808.	
620	247-15001-13	GASKET(HEAD)	1		
630	011-01000-40	FLANGE BOLT (M10X75)	4		
631	011-01000-20	FLANGE BOLT	1		
680	246-15501-01	ROCKER COVER CP	1		
690	246-16002-13	GASKET(ROCKER COV)	1		
700	031-00600-20	DOWEL PIN	2		
710	011-00600-20	FLANGE BOLT	4	M6X1.0X12	
810	246-14301-01	BREATHER COVER CP	1		
820	246-14401-01	BREATHER PLATE CP	1		
830	246-16006-03	GASKET(BREATHERCOVER	1		
840	246-16007-13	GASKET(BREATHERPLATE	1		
850	246-10802-03	RUBBER PIPE	1	Start Code: 4692.	
850	246-10801-03	RUBBER PIPE	1	End Code: 4691.	
860	011-00600-30	FLANGE BOLT	2	M6X1.0X14	
960	247-99002-07	GASKET SET	1		



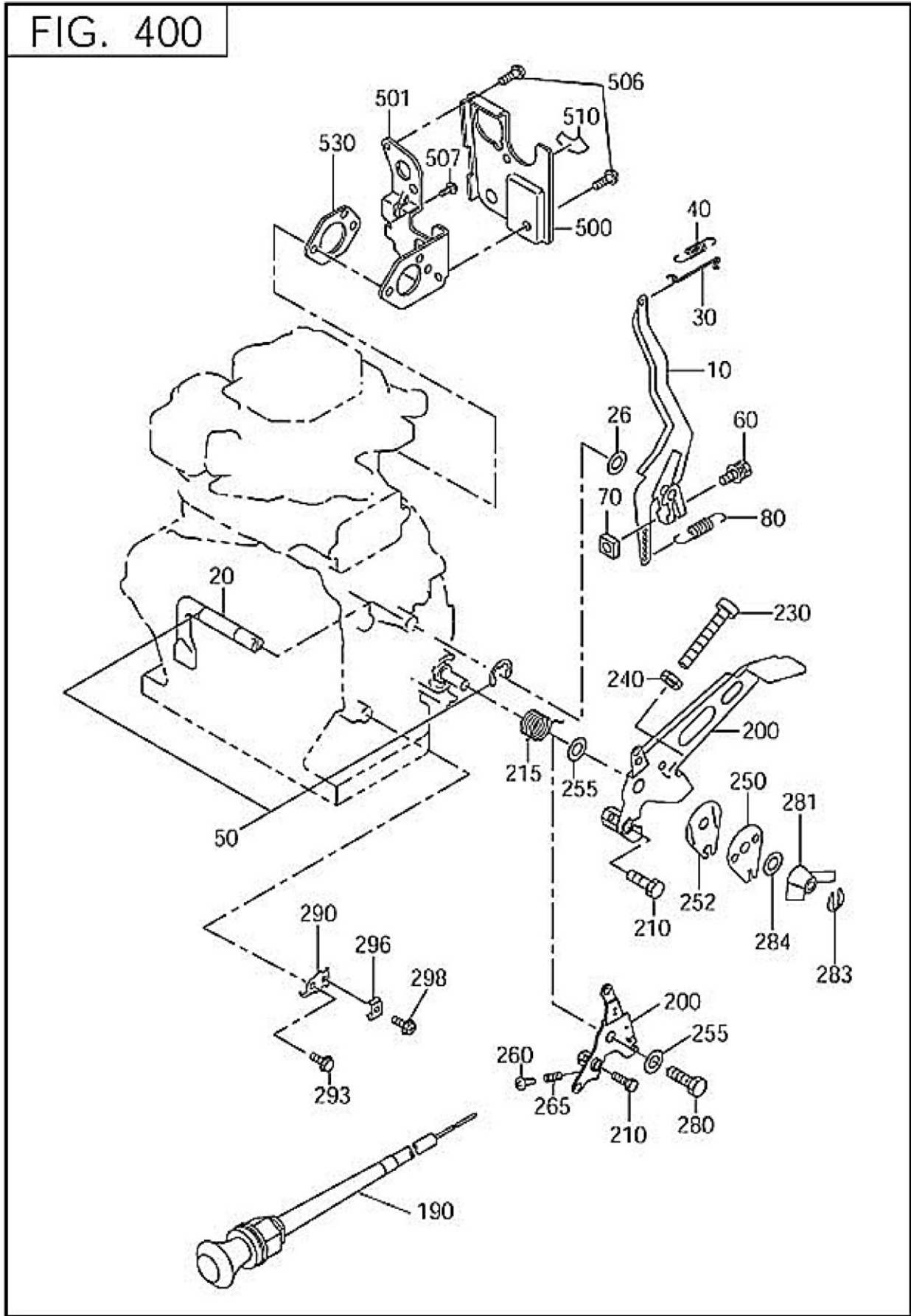
EH34

247020000W01

Ref #	Part #	Description	Qty	Context Note	Foot Note
10	246-21201-01	CRANKSHAFT CP	1		
40	023-03501-60	SPACER	1	Remarks: T=0.6.	
41	023-03501-70	SPACER	1	Remarks: T=0.8.	
42	023-03501-80	SPACER	1	Remarks: T=1.0.	
50	002-18180-00	NUT	1		
60	003-20180-00	SPRING WASHER	1		
65	003-10180-00	WASHER	1		
70	005-32054-01	WOODRUFF KEY	1		
210	246-24102-23	BALANCER SHAFT	1		
310	246-22501-00	CONNECTING ROD ASSY	1		
320	246-23001-13	CONNECTING ROD BOLT	2	Start Code: 5023.	
320	246-23001-03	CONNECTING ROD BOLT	2	End Code: 5022.	
330	246-23101-13	OIL SCRAPER	1		
350	246-23301-03	PISTON PIN	1		
360	247-23401-13	PISTON	1	Remarks: STD..	
361	247-23402-13	PISTON	1	Remarks: 0.25 O.S..	
362	247-23403-13	PISTON	1	Remarks: 0.50 O.S..	
370	247-23501-17	PISTON RING SET	1	Remarks: STD..	
371	247-23502-17	PISTON RING SET	1	Remarks: 0.25 O.S..	
372	247-23503-17	PISTON RING SET	1	Remarks: 0.50 O.S..	
380	056-52100-20	CLIP	2		



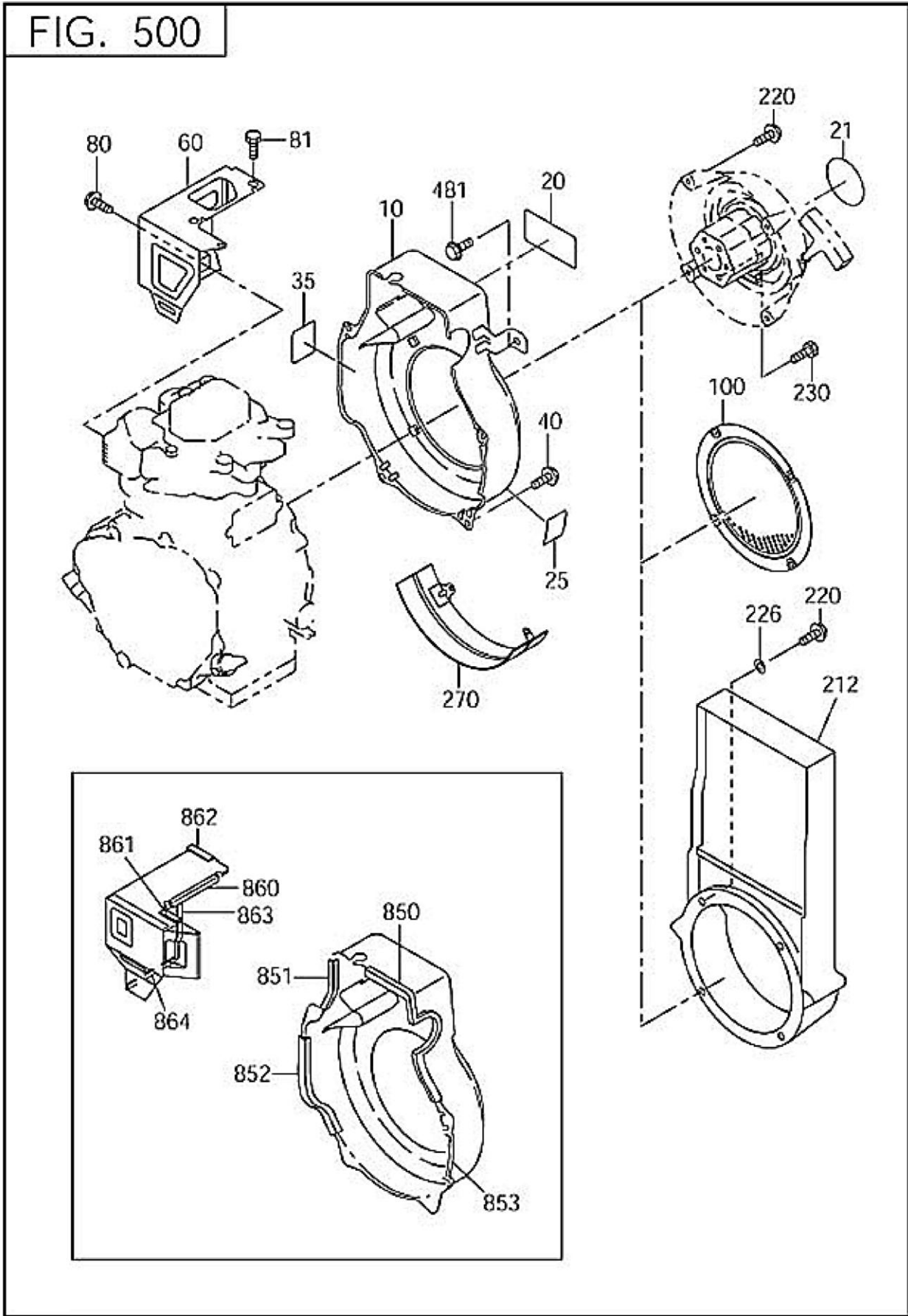
Ref #	Part #	Description	Qty	Context Note	Foot Note
10	246-31701-01	CAMSHAFT CP	1		
35	246-36201-11	RELEASE LEVER CP	1	Start Code: 4474.	
35	246-36201-01	RELEASE LEVER CP	1	End Code: 4473.	
38	246-36701-03	RETURN SPRING	1		
50	246-33301-03	TAPPET	2		
60	246-33611-03	VALVE SPRING	2	Start Code: 3532.	
60	246-33601-03	VALVE SPRING	2	End Code: 3531.	
65	020-02000-10	WASHER	2		
70	246-33711-03	SPRING RETAINER	2	Start Code: 3532.	
70	246-33701-13	SPRING RETAINER	2	End Code: 3531.	
80	246-33411-03	INTAKE VALVE	1	Start Code: 3532.	
80	246-33401-03	INTAKE VALVE	1	End Code: 3531.	
90	246-33511-03	EXHAUST VALVE	1	Start Code: 3532.	
90	246-33501-03	EXHAUST VALVE	1	End Code: 3531.	
95	246-35501-03	VALVE COLLET	4		
100	023-02200-50	SPACER	1	Remarks: T=0.6.	
101	023-02200-60	SPACER	1	Remarks: T=0.7.	
102	023-02200-70	SPACER	1	Remarks: T=0.8.	
200	239-35001-03	ROCKER SHAFT	1		
210	246-35301-11	PUSH ROD CP	2		
220	246-36101-10	ROCKER ARM AY	2		
230	014-90800-21	ADJUSTING SCREW	2		
240	017-00800-90	NUT	2		
250	246-36120-13	SPACER(ROCKER SHAFT)	1		
310	246-30101-31	MUFFLER CP	1	Start Code: 4657.	
310	246-30101-21	MUFFLER CP	1	End Code: 4656.	
320	246-34201-31	MUFFLER COVER CP	1	Start Code: 4657.	
320	246-34201-21	MUFFLER COVER CP	1	End Code: 4656.	
340	246-35201-03	GASKET(MUFFLER)	2		
350	018-00800-10	NUT (M8)	4		
360	015-20600-90	TAPPING BOLT	2	M6X10	
360	011-00600-10	FLANGE BOLT	3	M6X1.10X8	
361	011-00600-10	FLANGE BOLT	1	M6X1.10X8	
365	001-11081-60	BOLT AND WASHER AY	1		
405	246-34001-01	EXHAUST PIPE CP	1		
415	010-50803-60	STUD	2		
500	246-33001-01	INTAKE PIPE CP	1		
505	010-50602-30	STUD	2		
510	254-32602-20	AIR CLEANER AY	1	Start Code: 4750.	
510	254-32602-10	AIR CLEANER AY	1	End Code: 4749.	
510	234-36003-08	PACKING	1		
520	234-32607-07	ELEMENT SET	1	Start Code: 4750.	
520	234-32604-07	ELEMENT SET	1	End Code: 4749.	
540	246-32901-03	INSULATOR	1		
555	246-36001-13	GASKET(IN.PIPE)	1		
556	001-13082-80	BOLT AND WASHER AY	3		
560	234-35902-03	GASKET2(INSULATOR)	2	Remarks: T=0.2.	
570	002-38060-00	FLANGE NUT	2	M6X1.0	
580	001-10061-20	BOLT AND WASHER AY	1		
910	073-20044-30	LABEL (CHOKE)	1	Interchangable with 073-20050-20.	



EH34

247040000W01

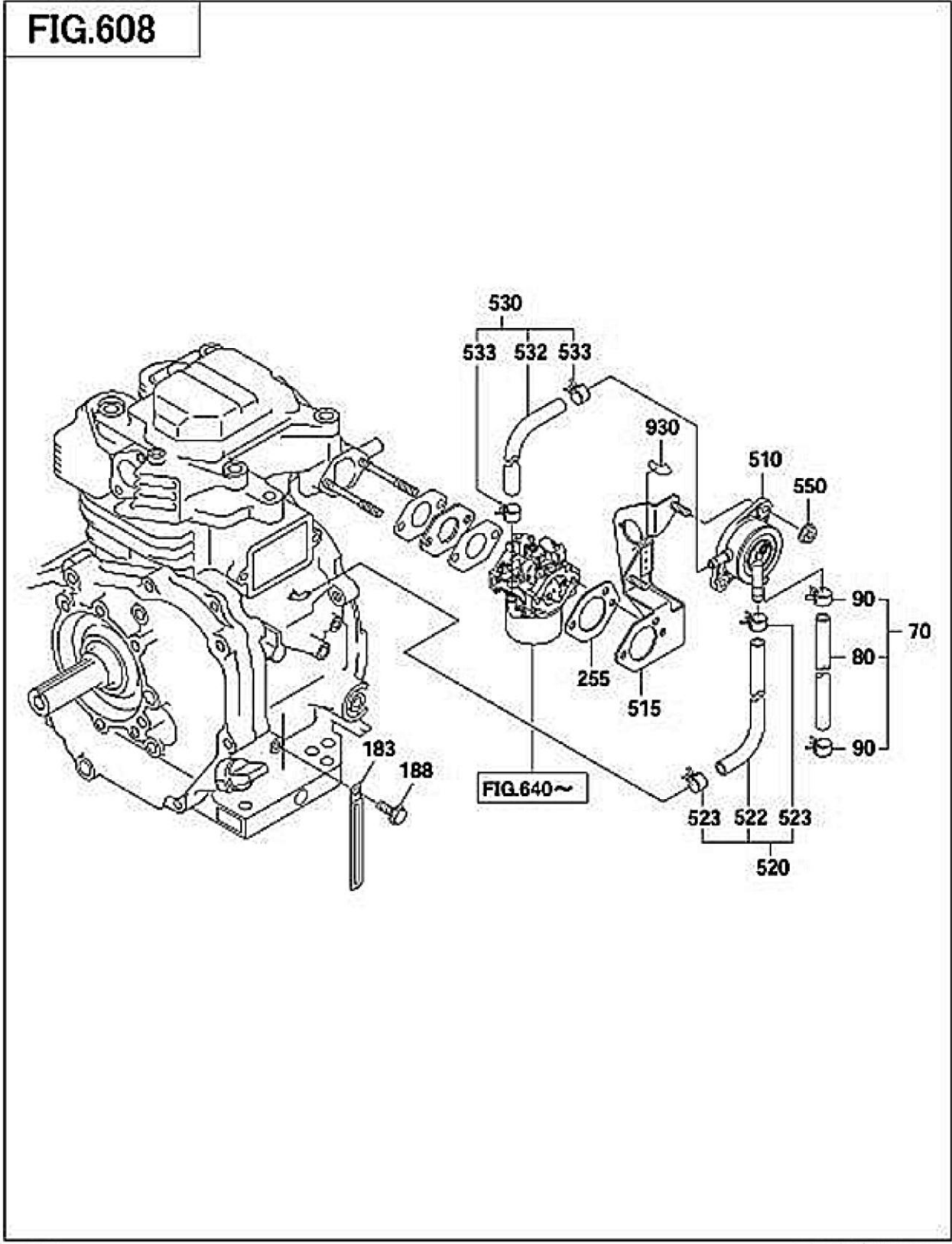
Ref #	Part #	Description	Qty	Context	Note	Foot	Note
10	246-42301-11	GOVERNOR LEVER CP	1				
20	246-42201-23	GOVERNOR SHAFT	1				
30	234-42701-01	GOVERNOR ROD	1				
40	246-42801-13	ROD SPRING	1				
50	003-13060-00	CLIP	2				
60	001-14062-50	BOLT AND WASHER ASSY	1	M6X1.0X25			
70	018-60600-20	SQUARE NUT	1	M6X1.0X4.9			
80	246-42501-23	GOVERNOR SPRING	1				
200	246-43310-03	SPEED CONTROL	1				
230	004-31053-50	SCREW,PANHEAD	1				
240	002-17050-00	NUT	1	M5X0.8			
280	001-10081-60	BOLT & WASHER AY	1				



EH34

247050000W01

Ref #	Part #	Description	Qty	Context Note	Foot Note
10	246-51205-11	BLOWER HOUSING CP	1		
20	247-91705-03	LABEL(TRADE MARK)	1	End Code: 4717.	
21	073-20049-50	LABEL(OHV MARK)	1	End Code: 4717.	
26	073-20039-00	LABEL(WARNING)	1		
40	011-00600-10	FLANGE BOLT	4	M6X1.10X8	
60	246-52701-11	CYLINDER BAFFLE CP	1		
80	011-00600-10	FLANGE BOLT	2	M6X1.10X8	
81	001-65101-60	BOLT	2		
210	246-50201-30	RECOIL STARTER AY	1	Start Code: 4780.	
210	261-50115-08	SPIRAL SPRING	1	Start Code: 4780.	
210	246-50120-08	REEL	1	Start Code: 4780.	
210	226-50113-08	STARTER ROPE	1	Start Code: 4780.	
210	261-50100-08	STARTER KNOB	1	Start Code: 4780.	
210	246-50125-08	RATCHET	2	Start Code: 4780.	
210	246-50130-08	FRICTION SPRING	1	Start Code: 4780.	
210	227-50135-08	RETURN SPRING	2	Start Code: 4780.	
210	246-50147-08	STARTER PULLY	1	Start Code: 4780.	
210	246-50160-08	RATCHET GUIDE	1	Start Code: 4780.	
210	227-50152-08	SET SCREW	1	Start Code: 4780.	
210	246-50201-20	RECOIL STARTER AY	1	End Code: 4779.	
210	261-50115-08	SPIRAL SPRING	1	End Code: 4779.	
210	246-50120-08	REEL	1	End Code: 4779.	
210	226-50113-08	STARTER ROPE	1	End Code: 4779.	
210	261-50100-08	STARTER KNOB	1	End Code: 4779.	
210	246-50125-08	RATCHET	2	End Code: 4779.	
210	246-50130-08	FRICTION SPRING	1	End Code: 4779.	
210	227-50135-08	RETURN SPRING	2	End Code: 4779.	
210	246-50147-08	STARTER PULLY	1	End Code: 4779.	
210	246-50160-08	RATCHET GUIDE	1	End Code: 4779.	
210	227-50152-08	SET SCREW	1	End Code: 4779.	
220	011-00600-10	FLANGE BOLT	4	M6X1.10X8	
230	001-65081-20	BOLT (M8X12)	3		

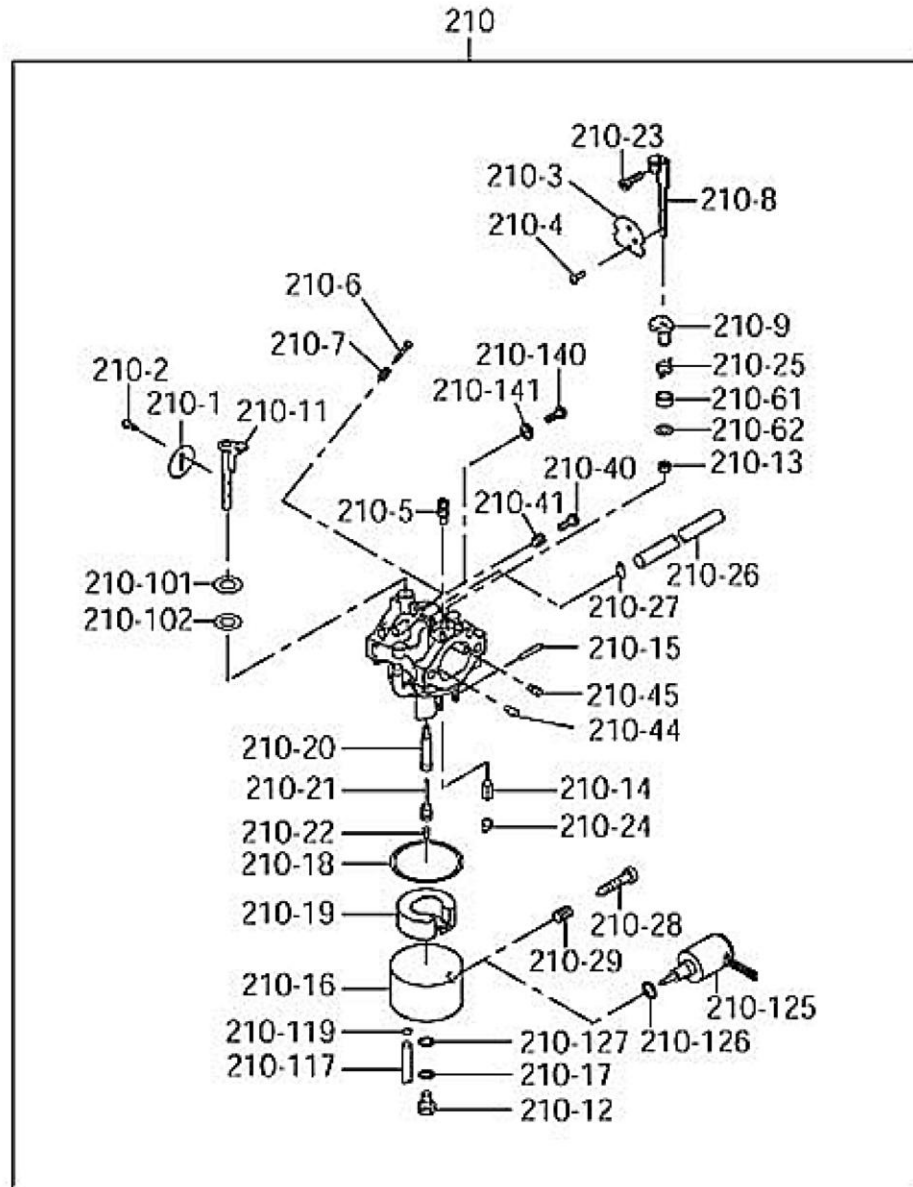


EH34

247060800E

Ref #	Part #	Description	Qty	Context Note	Foot Note
70	224-62641-01	FUEL PIPE 41 CP	1	Start Code: 4718.	
70	246-62607-01	FUEL PIPE 7 CP	1	End Code: 4717.	
80	085-10600-00	RUBBER PIPE	1	Remarks: 6X12XM.	
90	056-11100-20	HOSE CLAMP	2		
183	056-60002-50	CLAMP	1		
188	011-00600-10	FLANGE BOLT	1	M6X1.10X8	
255	234-36003-03	GASKET (AIR CLEANER)	1		
510	267-62201-00	FUEL PUMP AY	1		
515	246-65502-01	BRACKET(FUEL PUMP)CP	1		
520	224-62627-11	FUEL PIPE 27 CP	1		
522	085-10600-00	RUBBER PIPE	1	Remarks: 6X12XM.	
523	056-11100-20	HOSE CLAMP	2		
530	246-62608-01	FUEL PIPE 8 CP	1		
532	085-10600-00	RUBBER PIPE	1	Remarks: 6X12XM.	
533	056-11100-20	HOSE CLAMP	2		
550	002-38060-00	FLANGE NUT	2	M6X1.0	
930	073-20044-70	LABEL(STARTER SWITCH	1		

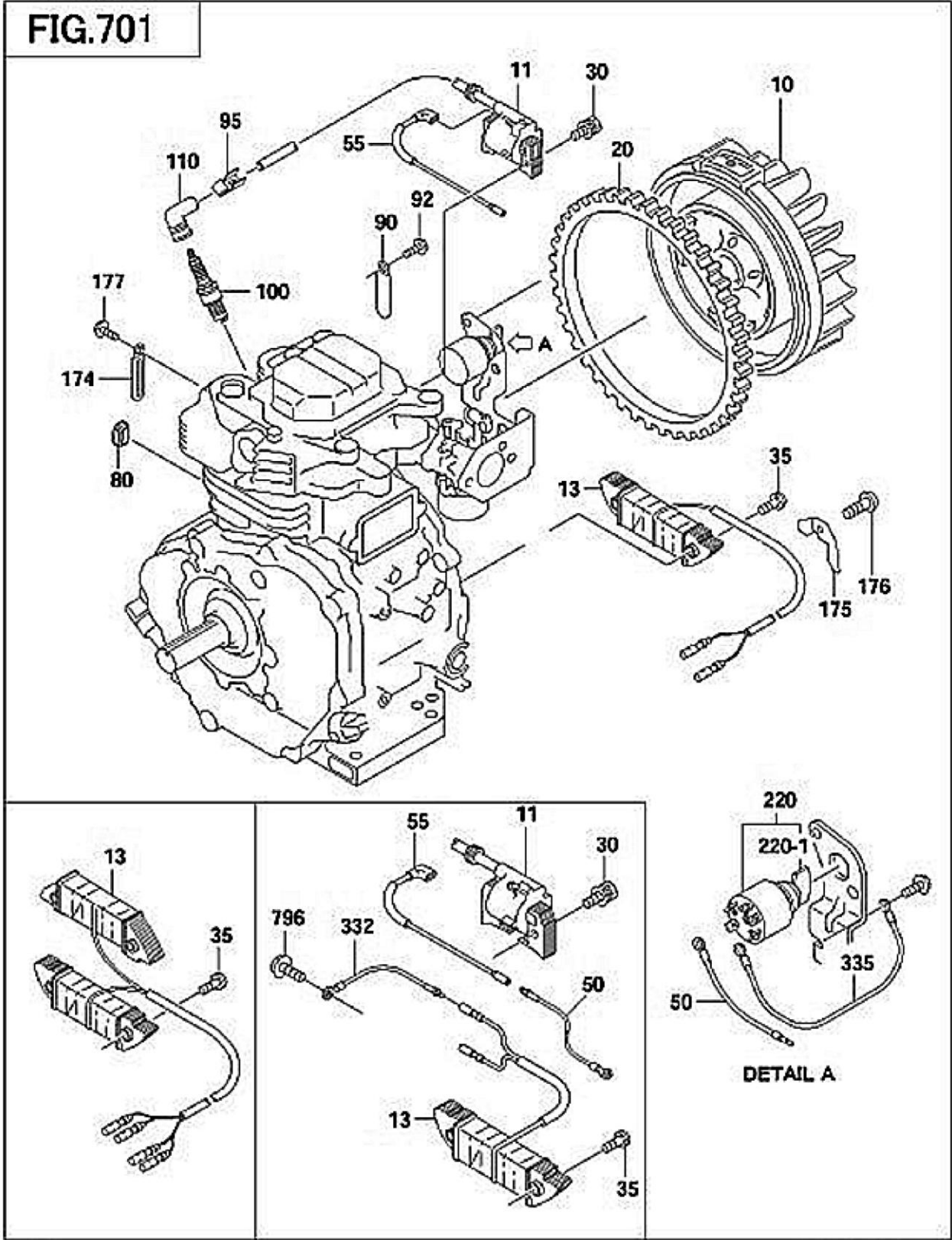
FIG. 640



EH34

247064000W01

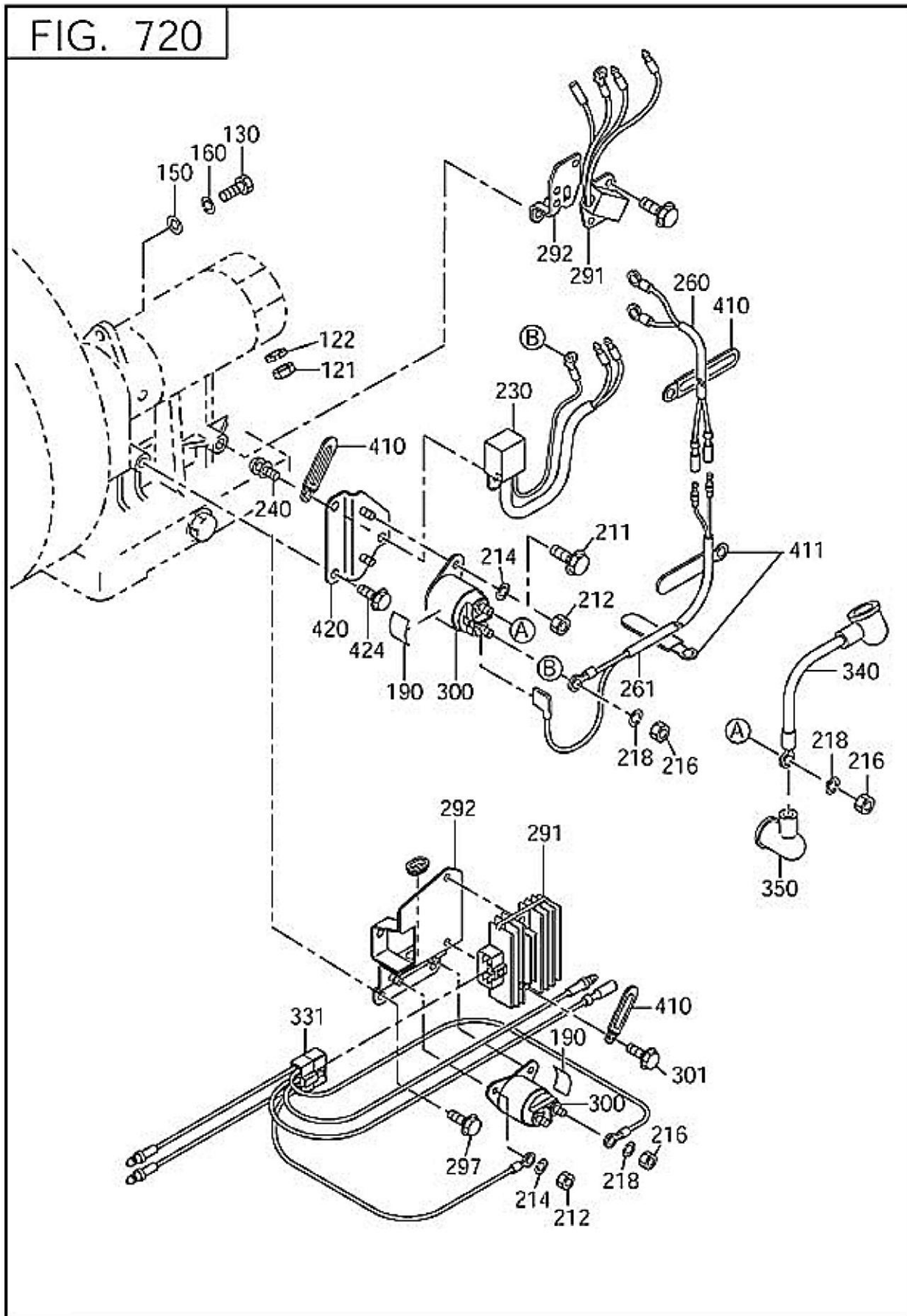
Ref #	Part #	Description	Qty	Context	Note	Foot	Note
210-0	247-62331-00	CARBURETOR AY	1				
210-1	213-62535-08	THROTTLE VALVE	1				
210-2	209-62351-08	SCREW	2				
210-3	234-62525-08	CHOKE VALVE	1				
210-4	237-62451-08	SCREW	2				
210-5	247-62420-08	PILOT JET	1				
210-6	246-62436-08	PILOT SCREW	1				
210-7	209-62445-08	SPRING	1				
210-8	234-62520-08	LEVER AY (CHOKE)	1				
210-9	239-62560-08	RING	1				
210-11	246-62531-08	THROTLE SHAFT-A	1				
210-12	224-62544-08	BOLT	1				
210-13	226-62550-08	RING	1				
210-14	224-62312-18	NEEDLE VALVE-A	1				
210-15	214-62515-08	PIN	1				
210-16	224-62552-08	FLOAT CHAMBER BODY	1				
210-17	207-62345-08	INSERT WASHER	1				
210-18	206-62540-08	CHAMBER PACKING	1				
210-19	234-62506-08	FLOT AY	1				
210-20	246-62441-08	MAIN NOZZLE	1				
210-21	246-62425-08	GUIDE HOLDER	1				
210-22	246-62402-08	MAIN JET	1				
210-24	224-62569-18	CLIP	1				
210-32	106-62392-08	SEAL	1				
210-40	246-62435-08	ADJUST SCREW	1				
210-41	209-62445-08	SPRING	1				
210-61	247-62550-08	CAP (CHOKE)	1				
210-62	236-62680-08	SEAL	1				
210-101	156-62351-08	PACKING	1				
210-121	246-62551-08	CAP	1				



EH34

247070100E

Ref #	Part #	Description	Qty	Context Note	Foot Note
10	246-77204-01	FLYWHEEL CP	1		
11	246-78201-21	IGNITION COIL CP	1		
13	246-79201-01	CHARGE COIL CP	1		
20	246-71002-03	RING GEAR	1		
30	001-14063-00	BOLT & WASHER ASSY (M6X30)	2		
35	004-35062-00	SCREW & WASHER AY	2		
50	224-73102-01	WIRE 3 CP	1		
55	246-73103-01	WIRE 3 CP	1		
80	226-75501-03	GROMMET	1		
95	065-90000-10	PLUG TERMINAL	1		
100	065-01405-80	SPARK PLUG	1	Remarks: BR6ES.	
100	RN5C	SPARK PLUG	1		
110	065-50001-40	SPARK PLUG CAP	1		
175	246-75502-01	CLAMP CP	1		
176	004-31060-80	SCREW,PANHEAD	1		
220	066-00003-30	SWITCH	1		
220	066-00099-80	SWITCH KEY	2	MARK 103	
335	227-73102-01	WIRE (2) CP	1		



EH34

247072000W01

Ref #	Part #	Description	Qty	Context Note	Foot Note
120	235-70560-08	YOKE AY	1		
120	235-70535-08	BRUSH (+)	1		
120	235-70545-08	SPRING (BRUSH)	2		
120	235-70530-08	HOLDER AY (BRUSH)	1		
120	235-70550-08	ARMATURE AY	1		
120	246-70521-08	PINION ASSY	1		
120	246-70571-08	STOPPER SET PINION	1		
120	246-70500-08	COVER ASSY FRONT	1		
120	235-70540-08	BRUSH (-)	1		
120	246-70505-08	COVER AY REAR	1		
120	113-70510-08	CASE METAL	1		
120	235-70575-08	THROUGH BOLT	2		
120	235-70555-08	WASHER KIT	1		
120	214-70560-08	FRONT METAL	1		
120	235-70565-08	M BUSH (1)	1		
120	235-70566-08	M BUSH (2)	1		
120	246-70580-08	O-RING	1		
120	246-70501-00	STARTING MOTOR AY	1		
121	002-27060-00	NUT	1		
122	003-20060-00	SPRING WASHER	1		
130	214-79007-01	BOLT (M8X30)	2		
150	003-10080-00	WASHER (M8)	2		
160	003-20080-00	SPRING WASHER	2		
190	073-20044-80	LABEL (BATTERY)	1		
190	073-20010-80	LABEL(BATTERY)	1	End Code: 3165. Interchangeable with 073-20044-80.	
212	002-17050-00	NUT	2		M5X0.8
214	003-20050-00	SPRING WASHER	2		
216	002-27060-00	NUT	2		
218	003-20060-00	SPRING WASHER	2		
230	232-71401-01	DIODE RECTIFIER CP	1		
240	004-35061-00	SCREW AND WASHER AY	1		
260	246-73104-01	WIRE 4 CP	1		
261	246-73105-21	WIRE 5 CP	1		
300	066-10000-10	MAGNETIC SWITCH	1		
340	214-73101-11	WIRE 1 CP	1		
350	214-78501-03	WIRE CASING	2		
410	056-60002-50	CLAMP	2		
411	056-60002-60	CLAMP	2		
420	246-76009-11	BRACKET(MAG.S.) CP	1		
421	011-00600-10	FLANGE BOLT	2		M6X1.10X8