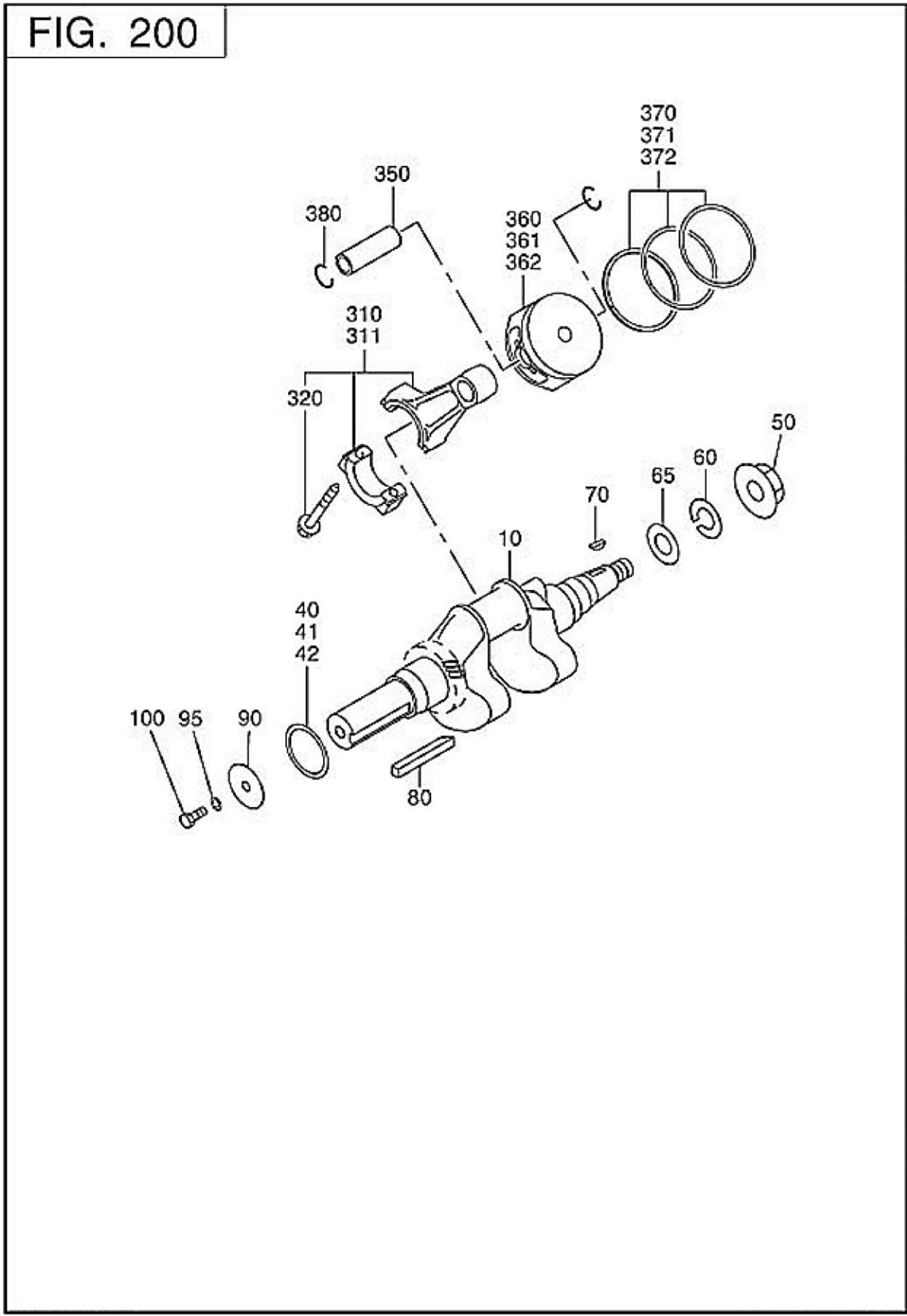


EH65/64/63

263010001W00

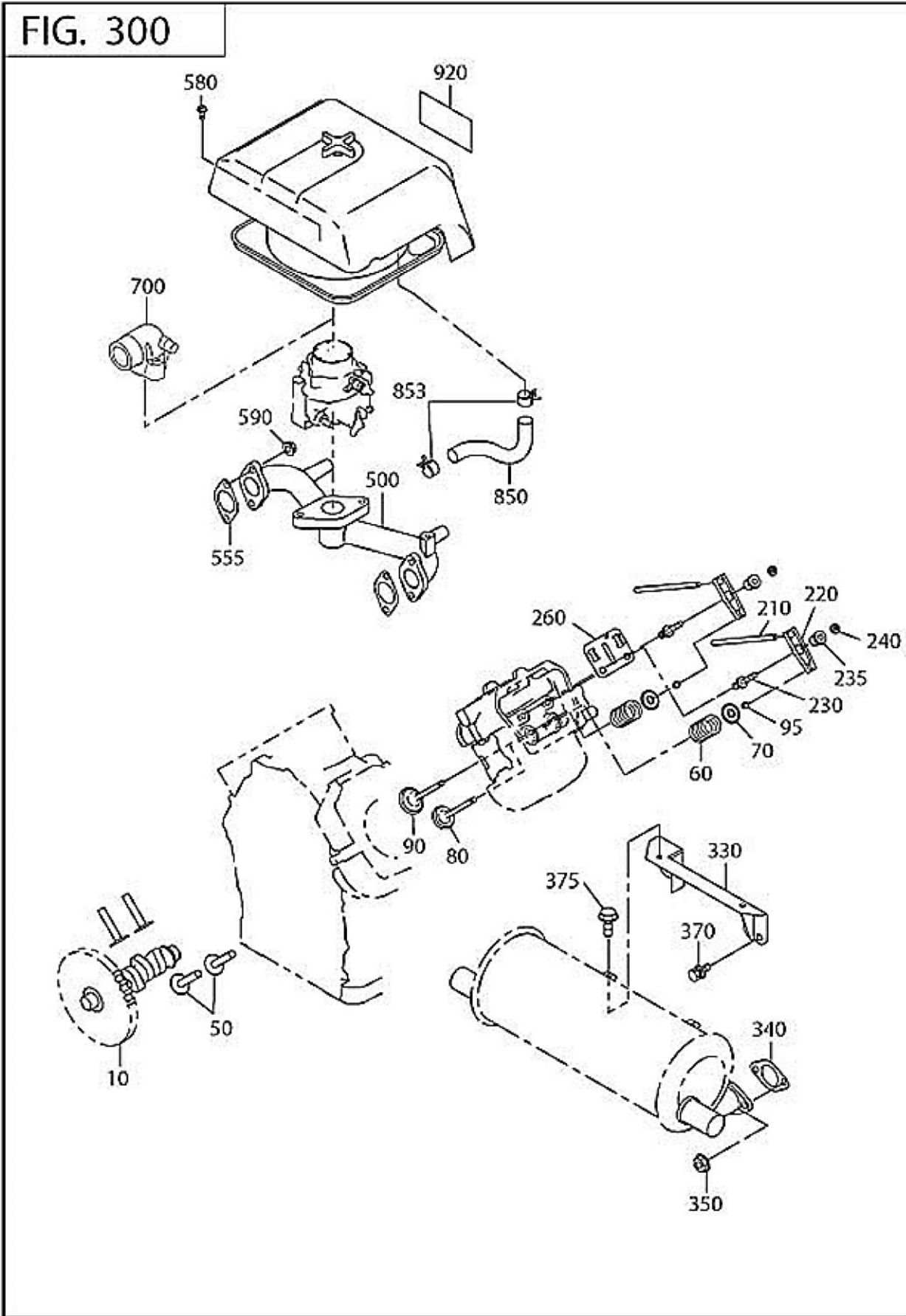
Ref #	Part #	Description	Qty	Context Note	Foot Note
10	263-10111-B1	CRANKCASE CP	1		
20	263-14211-03	VALVE GUIDE	2	6X11X32.5	
21	056-51000-50	CLIP	1	10.7X0.9	
22	263-14211-03	VALVE GUIDE	2	6X11X32.5	
23	056-51000-50	CLIP	1	10.7X0.9	
26	132-07AA0-50	INTAKE VALVE SEAL	1		End Code: 8126
26	132-11AA1-10	EXHAUST VALVE SEAL	1		Start Code: 8127
27	132-07AA0-50	INTAKE VALVE SEAL	1		End Code: 8126
27	132-11AA1-10	EXHAUST VALVE SEAL	1		Start Code: 8127
28	263-35341-03	RETAINER PLATE	1		
29	263-35341-03	RETAINER PLATE	1		
40	263-15802-03	MAIN BEARING	1	45X50X23	
50	X31-00800-80	DOWEL PIN	2	8X18	
55	263-55601-03	PIPE	2	11X8.8X8	
60	010-50802-90	STUD	4	M8X1.25X30	
61	010-50802-90	STUD	4	M8X1.25X30	
75	044-00800-10	OIL SEAL	1	8X14X4	
80	X40-11400-30	PLUG	2	M14X1.5X12	
85	212-15008-13	BLIND PLUG	1	PT1/8X9	
90	021-11400-20	GASKET	2		
130	159-65401-03	PULSE PIPE	1	4X6X25	
195	263-15901-03	UNION	1	3/4X16UNFX30	
200	263-76102-H1	OIL PRESSURE SWITCH	1		
210	263-11002-D1	MAIN BEARING COVER CP	1		End Code: 8187
210	263-11002-E1	MAIN BEARING COVER CP	1		Start Code: 8188
220	044-04200-30	OIL SEAL	1	42X60X9	
230	X60-04500-10	BALL BEARING	1		
250	263-45001-C1	GOVERNOR GEAR CP	1	52X26 N=25	
255	263-46215-A3	THRUST BEARING	1		
257	263-46214-A3	WASHER	2		
260	277-41901-03	GOVERNOR SLEEVE	1		
290	263-16002-A3	GASKET	1		
300	X11-00802-20	FLANGE BOLT	10	M8X1.25X45	
610	263-13211-A1	CYLINDER HEAD 1 CP	1		
615	263-13311-A1	CYLINDER HEAD 2 CP	1		
620	263-15021-21	CYLINDER HEAD GASKET 1	1		End Code: 8126
620	263-15021-31	CYLINDER HEAD GASKET 1	1		Start Code: 8127
621	263-15121-11	CYLINDER HEAD GASKET 2	1		End Code: 8126
621	263-15121-21	CYLINDER HEAD GASKET 2	1		Start Code: 8127
630	X11-01000-70	FLANGE BOLT	8	M10X1.25X65	
680	280-15501-A3	ROCKER COVER	1		
681	263-15501-A3	ROCKER COVER	1		
690	263-16101-A3	ROCKER COVER GASKET	2		
700	X31-00600-20	DOWEL PIN	4		
710	X11-00601-01	FLANGE BOLT	8	M6X1.0X28	
800	280-19001-A3	HOOK	2		
810	263-14301-03	BREATHER COVER	1		
820	280-14401-A1	BREATHER PLATE CP	1		
830	263-16006-03	GASKET	2		
860	X11-00600-30	FLANGE BOLT	2	M6X1.0X14	
960	263-99001-37	GASKET SET	1		



EH65/64/63

263020000W01

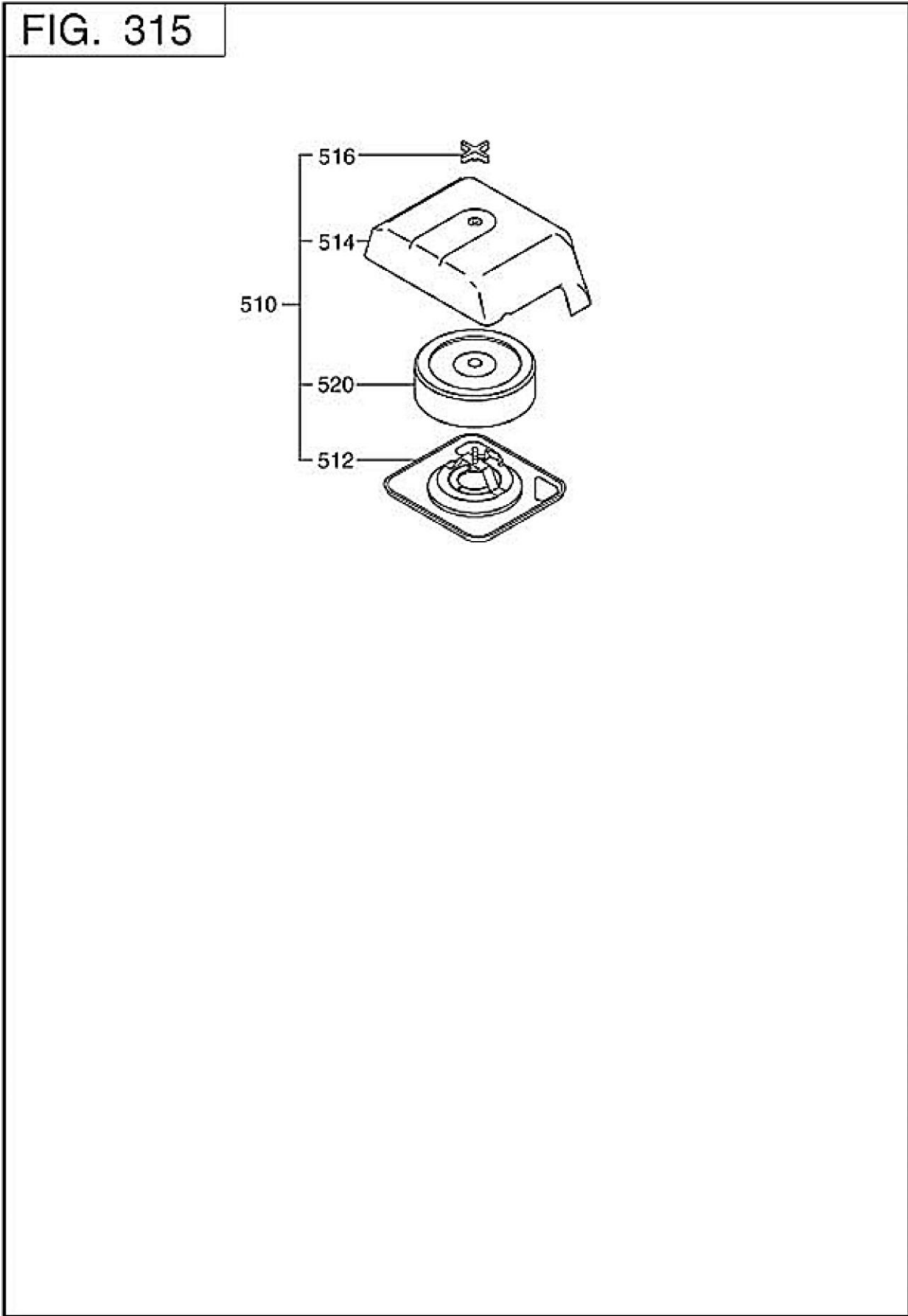
Ref #	Part #	Description	Qty	Context Note	Foot Note
10	263-20902-D1	CRANKSHAFT CP	1		End Code: 8309
10	263-20922-B1	CRANKSHAFT CP	1		Start Code: 8310
40	263-25012-A3	SPACER	1	45.3X58X0.8	
41	263-25013-A3	SPACER	1	45.3X58X1.0	
42	263-25014-A3	SPACER	1	45.3X58X1.2	
50	X18-01800-10	FLANGE NUT	1	M18X1.5	
65	003-10180-00	WASHER	1	19X32	
70	005-32054-01	WOODRUFF KEY	1	5X7.5X19	
310	263-22601-10	CONNECTING ROD AY	2	117CDX30B 39D-21D	
311	263-22602-00	CONNECTING ROD AY	2	0.25 U.S.	
320	001-05084-00	FLANGE BOLT	4	M8X1.25X40	
350	263-23301-33	PISTON PIN	2	21X15X64.2	
360	263-23421-J3	PISTON	2	STANDARD	
361	263-23422-J3	PISTON	2	0.25 OVERSIZED	
362	263-23423-J3	PISTON	2	0.50 OVERSIZED	
370	263-23501-17	PISTON RING SET	2	STANDARD	
371	263-23502-17	PISTON RING SET	2	0.25 OVERSIZED	
372	263-23503-17	PISTON RING SET	2	0.50 OVERSIZED	
380	056-52100-20	CLIP	4	22.1X1.4	



EH65/64/63

263030000W02

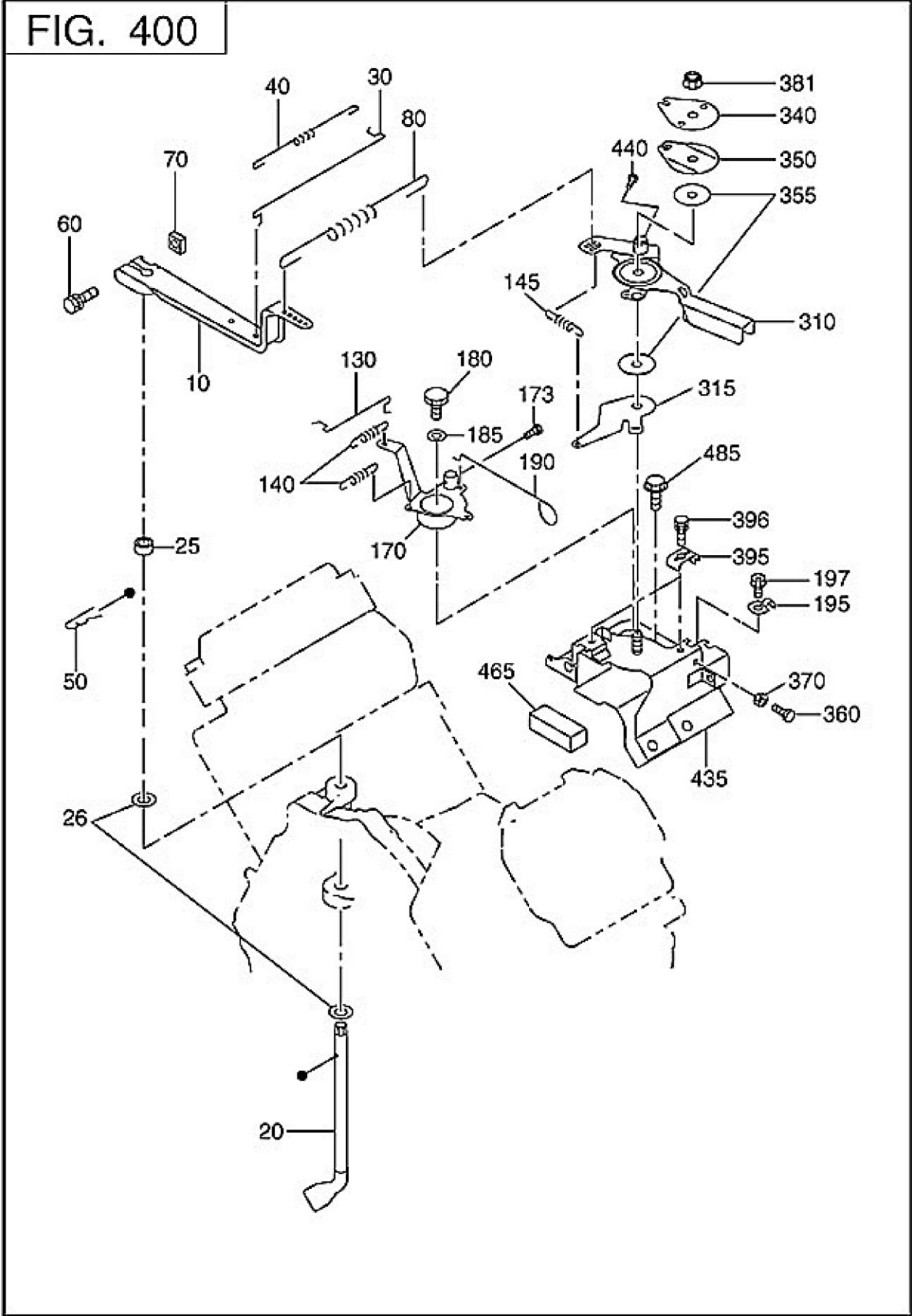
Ref #	Part #	Description	Qty	Context Note	Foot Note
10	280-31701-13	CAMSHAFT	1	L=169 133DX12B N=66	
50	263-33301-A3	TAPPET	4		
60	246-33611-03	VALVE SPRING	4		
70	246-33711-13	SPRING RETAINER	4		
80	263-33401-03	INTAKE VALVE	2		
90	263-33502-13	EXHAUST VALVE	2		
95	246-35501-03	VALVE COLLET	8		
210	263-35321-B1	PUSH ROD CP	4	M8X138.5	End Code: 8309
210	263-35322-A1	PUSH ROD CP	4		Start Code: 8310
220	267-36102-03	ROCKER ARM	4		
230	263-35801-03	BOLT	4		
235	267-35701-03	PIVOT	4		
240	X17-00601-10	NUT	4	M6X0.75	
260	263-37001-A3	GUIDE PLATE	2		End Code: 8309
260	263-37002-A3	GUIDE PLATE	2		Start Code: 8310
500	280-33001-H3	INTAKE MANIFOLD	1		End Code: 7975
500	280-33001-J3	INTAKE MANIFOLD	1		Start Code: 7976
555	263-35503-A3	INTAKE MANIFOLD GASKET	2		
580	X11-00600-20	FLANGE BOLT	3	M6X1.0X12	
590	002-38080-00	FLANGE NUT	4	M8X1.25	
850	263-18003-03	RUBBER PIPE	1		
853	263-68512-A3	HOSE CLAMP	2		
920	263-91721-A3	LABEL (TRADE MARK)	1		



EH65/64/63

263031500W01

Ref #	Part #	Description	Qty	Context Note	Foot Note
510	280-32601-A0	AIR CLEANER ASSY	1		End Code: 7764
510	280-32602-A0	AIR CLEANER ASSY	1		Start Code: 7765
512	280-32620-A1	CLEANER BASE CP	1		End Code: 7764
512	280-32625-A1	CLEANER BASE CP	1		Start Code: 7853
514	263-32630-03	CLEANER COVER	1		
516	263-32640-01	WING NUT	1		
520	263-32610-A1	CLEANER ELEMENT CP	1		

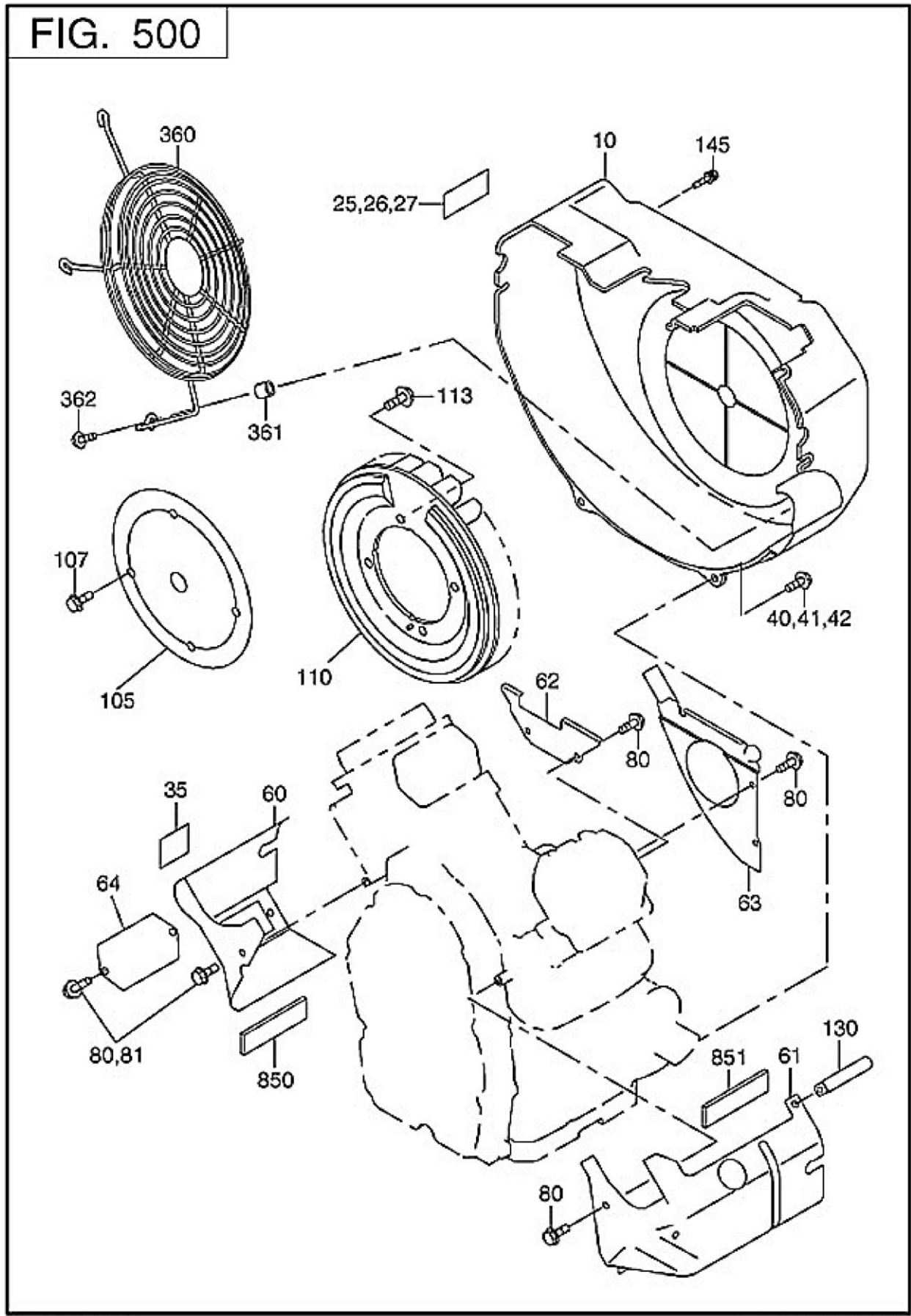


EH65/64/63

263040001W01

Ref #	Part #	Description	Qty	Context Note	Foot Note
10	263-42301-B3	GOVERNOR LEVER	1	Start Date: 5/21/2004 0:00:00. Start Date: 12/31/9999 0:00:00.	
20	263-42201-A3	GOVERNOR SHAFT	1	Start Date: 5/21/2004 0:00:00. Start Date: 12/31/9999 0:00:00.	
25	X23-00801-50	SPACER	1	Start Date: 5/21/2004 0:00:00. Start Date: 12/31/9999 0:00:00. Remarks: 8.3DX11.9DX6.4T.	
26	003-10080-00	WASHER (M8)	2		
30	263-42701-A3	GOVERNOR ROD	1	Start Date: 5/21/2004 0:00:00. Start Date: 12/31/9999 0:00:00.	
40	263-42801-03	ROD SPRING	1	Start Date: 5/21/2004 0:00:00. Start Date: 12/31/9999 0:00:00. Remarks: 6DX0.5DX102L N=29.	
50	005-11060-01	SNAP PIN	1	Start Date: 5/21/2004 0:00:00. Start Date: 12/31/9999 0:00:00.	
60	001-14063-00	BOLT & WASHER ASSY (M6X30)	1		
70	X18-60600-20	NUT	1	Start Date: 7/1/2004 0:00:00. Start Date: 12/31/9999 0:00:00. Remarks: M6X1.0X4.9H SQUARE.	
80	263-42501-A3	GOVERNOR SPRING	1	Start Date: 5/21/2004 0:00:00. Start Date: 12/31/9999 0:00:00. Remarks: 10.5DX1.2DX139L N=36.	
130	263-46011-A3	CHOKE CONTROL ROD	1	Start Date: 5/21/2004 0:00:00. Start Date: 12/31/9999 0:00:00.	
140	261-45201-03	RETURN SPRING	2	Start Date: 5/21/2004 0:00:00. Start Date: 12/31/9999 0:00:00. Remarks: 6.8DX0.7DX35L N=15.	
145	263-45030-03	SPRING(CONTROL)	1	Start Code: 7765. Start Date: 4/4/2008 0:00:00. Start Date: 12/31/9999 0:00:00.	
170	263-46001-03	CHOKE CONTROL LINK	1	End Code: 7764. Start Date: 2/25/2008 0:00:00. Start Date: 4/3/2008 0:00:00.	
170	263-46021-B3	CHOKE LEVER	1	Start Code: 7765. Start Date: 4/4/2008 0:00:00. Start Date: 12/31/9999 0:00:00.	
180	226-43101-A1	LINK PIVOT	1	Start Date: 4/1/2007 0:00:00. Start Date: 12/31/9999 0:00:00.	
185	003-22100-00	WAVED WASHER	1	Start Date: 5/21/2004 0:00:00. Start Date: 12/31/9999 0:00:00.	
190	263-43901-A3	CHOKE KNOB	1	Start Date: 5/21/2004 0:00:00. Start Date: 12/31/9999 0:00:00.	
195	263-46010-03	CLAMP(CHOKE KNOB)	1	Start Date: 5/21/2004 0:00:00. Start Date: 12/31/9999 0:00:00.	
197	X15-20500-10	TAPPING SCREW	1	Start Date: 7/1/2004 0:00:00. Start Date: 12/31/9999 0:00:00. Remarks: M5X10DX10L.	
310	263-43301-A3	SPEED CONTROL LEVER	1	End Code: 7764. Start Date: 2/25/2008 0:00:00. Start Date: 4/3/2008 0:00:00.	
310	263-43312-A3	SPEED CONTROL LEVER	1	Start Code: 7765. Start Date: 4/4/2008 0:00:00. Start Date: 12/31/9999 0:00:00.	
315	263-47001-A3	BRACKET,RETURN SP	1	Start Code: 7765. Start Date: 4/4/2008 0:00:00. Start Date: 12/31/9999 0:00:00.	
340	227-43501-13	STOP PLATE	1	Start Date: 5/21/2004 0:00:00. Start Date: 12/31/9999 0:00:00.	
350	263-45002-03	SPRING WASHER	1	Start Date: 5/21/2004 0:00:00. Start Date: 12/31/9999 0:00:00.	
355	261-45301-03	SPACER	1	Start Code: 7765. Start Date: 4/4/2008 0:00:00. Start Date: 12/31/9999 0:00:00. Remarks: 6.3DX9.5DX2.6T.	
355	021-70600-30	FRICTION WASHER	2	End Code: 7764. Start Date: 2/25/2008 0:00:00. Start Date: 4/3/2008 0:00:00. Remarks: 6.5DX33DX0.6T FIBER.	
360	X11-50500-20	BOLT	2	Start Date: 7/1/2004 0:00:00. Start Date: 12/31/9999 0:00:00. Remarks: M5X0.8X35L.	
370	002-27050-00	NUT	2	Start Date: 5/21/2004 0:00:00. Start Date: 12/31/9999 0:00:00.	
381	X17-60600-20	SELF LOCK NUT	1	End Code: 7764. Start Date: 2/25/2008 0:00:00. Start Date: 4/3/2008 0:00:00. Remarks: M6X1.0X13DX6.9H.	
381	002-38060-00	FLANGE NUT	1	M6X1.0	
395	261-43901-03	CLAMP	2	Start Date: 5/21/2004 0:00:00. Start Date: 12/31/9999 0:00:00.	
396	001-17052-00	BOLT & WASHER AY	2	Start Date: 5/21/2004 0:00:00. Start Date: 12/31/9999 0:00:00.	

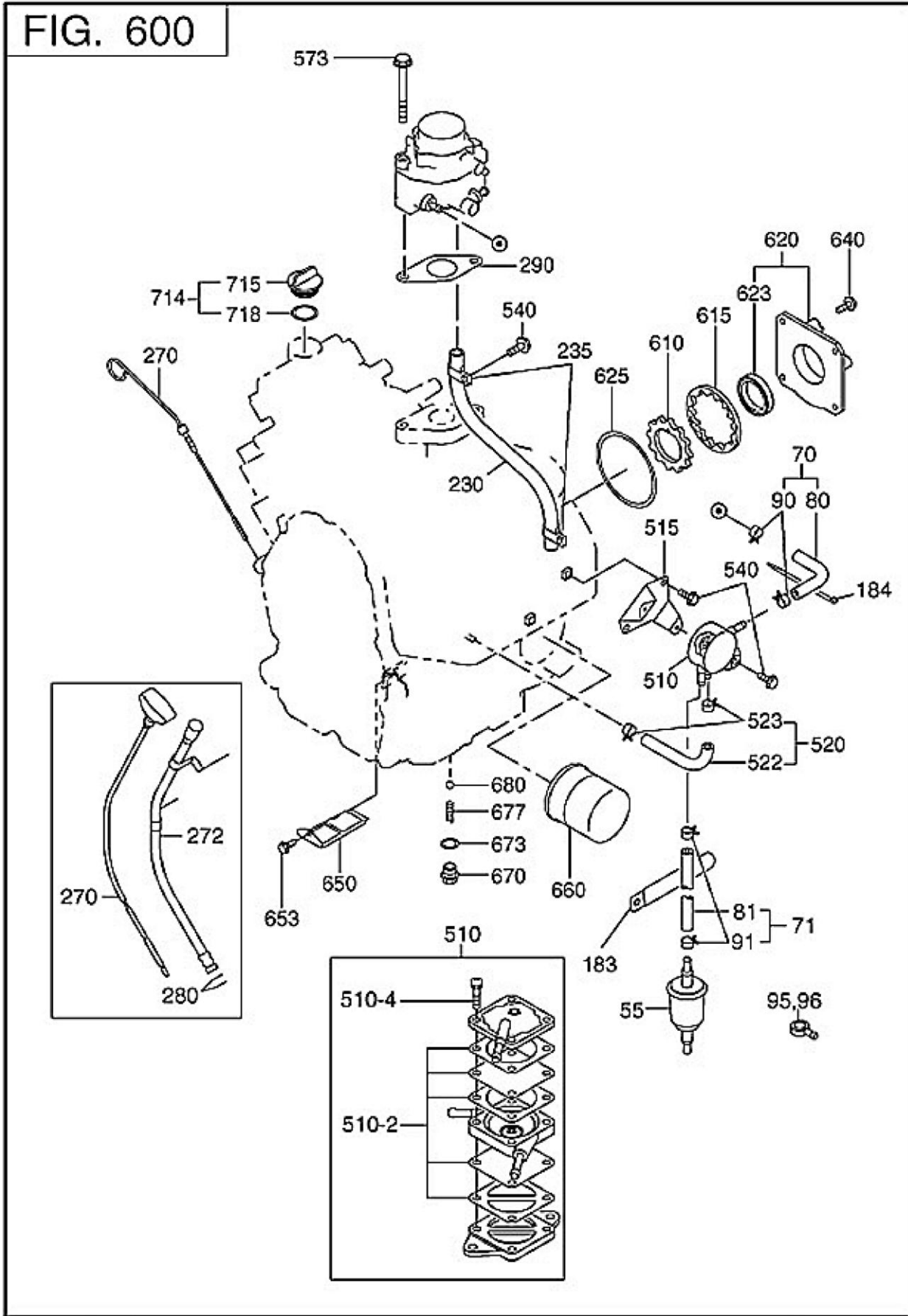
435	263-45011-A2	BRACKET UN(SPD CTL)	1	End Code: 7764. Start Date: 2/25/2008 0:00:00. Start Date: 4/3/2008 0:00:00.
435	263-45021-A2	BRACKET(SPD CONTROL)	1	Start Code: 7765. Start Date: 4/4/2008 0:00:00. Start Date: 12/31/9999 0:00:00.
485	X11-00600-20	FLANGE BOLT	2	Start Date: 7/1/2004 0:00:00. Start Date: 12/31/9999 0:00:00. Remarks: M6X1.0X14DX12L.



EH65/64/63

263050001W00

Ref #	Part #	Description	Qty	Context Note	Foot Note
10	263-51121-B2	BLOWER HOUSING UN	1		
25	073-20044-50	LABEL (CAUTION)	1		
26	263-92001-03	LABEL (WARNING)	1	ENGLISH	
40	X11-00600-30	FLANGE BOLT	6	M6X1.0X14	End Code: 8005
40	X11-00600-30	FLANGE BOLT	8	M6X1.0X14	Start Code: 8006
41	X11-00601-40	FLANGE BOLT	2	M6X1.0X18	End Code: 8005
60	263-52612-A1	CYLINDER BAFFLE 1 CP	1		
61	263-52704-A1	CYLINDER BAFFLE 2 CP	1		
62	263-52801-03	CYLINDER BAFFLE 3	1		End Code: 7975
62	263-52802-A3	CYLINDER BAFFLE 3	1		Start Code: 7976
63	263-52912-A2	CYLINDER BAFFLE 4 UN	1		
80	X11-00600-20	FLANGE BOLT	8	M6X1.0X12	
110	263-54101-A2	COOLING BLOWER UN	1		
113	001-14061-60	BOLT AND WASHER ASSY	4	M6X1.0X16	

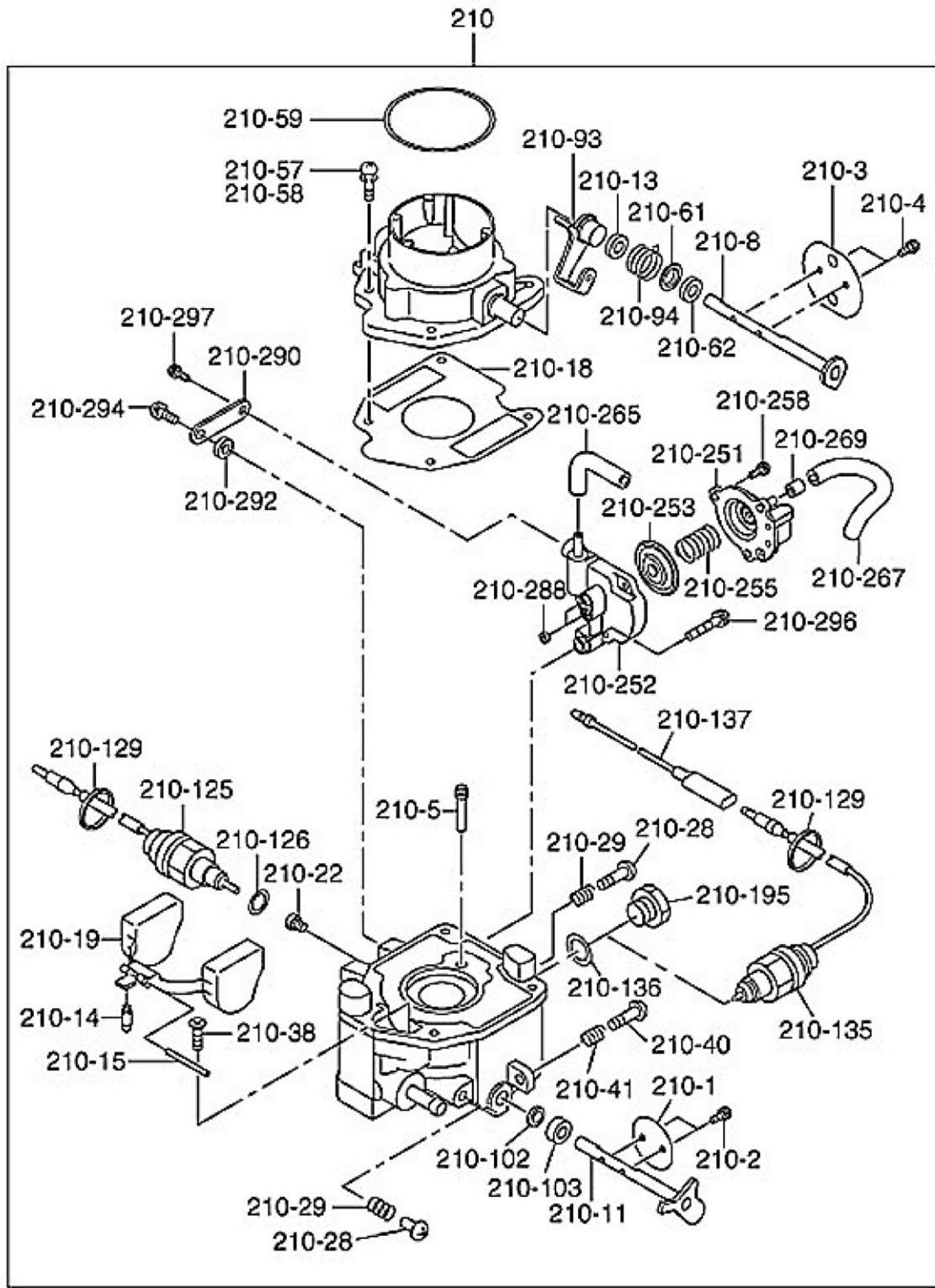


EH65/64/63

263060001W00

Ref #	Part #	Description	Qty	Context Note	Foot Note
55	263-65012-A3	FILTER,FUEL	1		
80	X85-10616-60	RUBBER PIPE	1	6.4X12.7X430	
81	X85-10613-81	RUBBER PIPE	1	6.4X12.7X80	
90	263-68501-03	HOSE CLAMP	2	11.4X7.9X0.7	
91	263-68501-03	HOSE CLAMP	2	11.4X7.9X0.7	
230	085-10301-10	RUBBER PIPE	1	3X6X350	
235	206-75501-A1	CLAMP CP	2		
270	263-63603-01	OIL GAUGE CP	1		
290	263-66201-A3	GASKET	1		
510	267-62201-10	FUEL PUMP ASSY	1		
515	263-65002-A3	FUEL PUMP BRACKET	1		
522	X85-10616-30	RUBBER PIPE	1	6.4X12.7X160	
523	263-68501-03	HOSE CLAMP	2	11.4X7.9X0.7	
540	X11-00600-20	FLANGE BOLT	5	M6X1.0X12	
573	X11-00801-10	FLANGE BOLT	2	M8X1.25X80	
610	263-63901-03	INNER ROTOR	1		End Code: 8126
610	263-63901-13	INNER ROTOR	1		Start Code: 8127
615	263-63902-03	OUTER ROTOR	1		End Code: 8126
615	263-63902-13	OUTER ROTOR	1		Start Code: 8127
620	263-64001-B1	OIL PUMP COVER CP	1		
623	044-03501-70	OIL SEAL	1	35X48X8	
625	X24-08900-30	O-RING	1		
640	X11-00600-30	FLANGE BOLT	4	M6X1.0X14	
650	263-64302-02	OIL PUMP FILTER UN	1		
653	263-65011-A3	FLANGE BOLT	1		
660	248-65801-00	OIL FILTER ASSY	1		
670	X40-11400-50	OIL RELIEF PLUG	1		
673	003-70140-00	GASKET	1	ALUMINUM	
677	263-66001-03	RELIEF VALVE SPRING	1	7.8DX1DX25L N=8.5	
680	006-90308-00	STEEL BALL	1		
714	280-63602-A1	OIL FILLER CAP CP	1		
718	263-64414-A3	O-RING	1		

FIG. 640



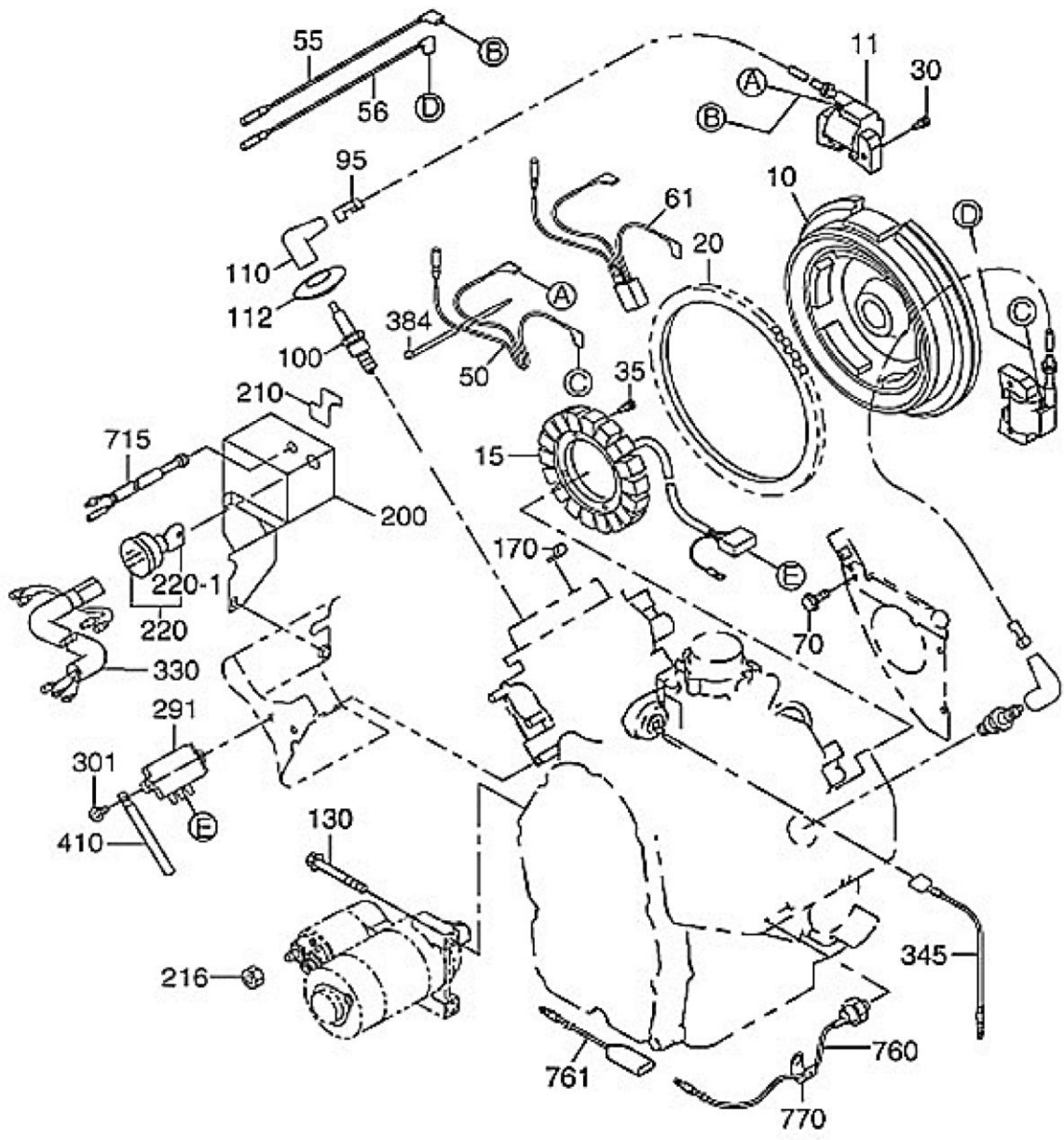
EH65/64/63

263064001W00

Ref #	Part #	Description	Qty	Context Note	Foot Note
210-0	263-62392-00	CARBURETOR AY	1	Start Date: 2/25/2008 0:00:00. Start Date: 12/31/9999 0:00:00.	
210-1	263-62535-08	VALVE,THROTTLE	1	Start Date: 2/25/2008 0:00:00. Start Date: 12/31/9999 0:00:00.	
210-2	261-62352-08	SCREW,VALVE SET	2	Start Date: 2/25/2008 0:00:00. Start Date: 12/31/9999 0:00:00.	
210-3	263-62528-08	VALVE,CHOKE	1	Start Date: 2/25/2008 0:00:00. Start Date: 12/31/9999 0:00:00.	
210-4	258-62555-08	SCREW SET(VALVE)	2	Start Date: 2/25/2008 0:00:00. Start Date: 12/31/9999 0:00:00.	
210-5	263-62423-08	JET,SLOW(#50)	1	Start Date: 2/25/2008 0:00:00. Start Date: 12/31/9999 0:00:00.	
210-8	263-62520-08	SHAFT ASSY,CHOKE	1	Start Date: 2/25/2008 0:00:00. Start Date: 12/31/9999 0:00:00.	
210-11	263-62530-08	SHAFT ASSY,THROTTLE	1	Start Date: 2/25/2008 0:00:00. Start Date: 12/31/9999 0:00:00.	
210-13	258-62551-08	RING(CHOKE LEVER)	1	Start Date: 2/25/2008 0:00:00. Start Date: 12/31/9999 0:00:00.	
210-14	263-62507-08	VALVE,FLOAT	1	Start Date: 2/25/2008 0:00:00. Start Date: 12/31/9999 0:00:00.	
210-15	258-62515-08	FLOAT PIN	1	Start Date: 2/25/2008 0:00:00. Start Date: 12/31/9999 0:00:00.	
210-18	280-62545-08	GASKET,AIR HORN	1	Start Date: 2/25/2008 0:00:00. Start Date: 12/31/9999 0:00:00.	
210-251	280-62359-08	COVER AY,PUMP	1	Start Date: 2/25/2008 0:00:00. Start Date: 12/31/9999 0:00:00.	
210-252	280-62361-08	BODY AY,PUMP	1	Start Date: 2/25/2008 0:00:00. Start Date: 12/31/9999 0:00:00.	
210-253	280-62358-08	DIAPHRAGM AY,PUMP	1	Start Date: 2/25/2008 0:00:00. Start Date: 12/31/9999 0:00:00.	
210-255	280-62320-08	SPRING,PUMP DIAPH	1	Start Date: 2/25/2008 0:00:00. Start Date: 12/31/9999 0:00:00.	
210-258	263-62585-08	SCREW,WITH WASHER	3	Start Date: 2/25/2008 0:00:00. Start Date: 12/31/9999 0:00:00.	
210-265	280-62356-08	PIPE,CONNECTOR	1	Start Date: 2/25/2008 0:00:00. Start Date: 12/31/9999 0:00:00.	
210-267	280-62357-08	HOSE,RUBBER (85MM)	1	Start Date: 2/25/2008 0:00:00. Start Date: 12/31/9999 0:00:00.	
210-269	280-62450-08	JET,ECONOMIZER BLEED	1	Start Date: 2/25/2008 0:00:00. Start Date: 12/31/9999 0:00:00.	
210-288	280-62355-08	U RING	2	Start Date: 2/25/2008 0:00:00. Start Date: 12/31/9999 0:00:00.	
210-290	280-62589-08	HOLDER,PUMP BODY	1	Start Date: 2/25/2008 0:00:00. Start Date: 12/31/9999 0:00:00.	
210-292	280-62588-08	SPACER	1	Start Date: 2/25/2008 0:00:00. Start Date: 12/31/9999 0:00:00.	
210-294	247-69969-08	SCREW,COVER SET	1	Start Date: 2/25/2008 0:00:00. Start Date: 12/31/9999 0:00:00.	
210-296	280-62587-08	SCREW,BODY SET	1	Start Date: 2/25/2008 0:00:00. Start Date: 12/31/9999 0:00:00.	
210-297	263-62585-08	SCREW,WITH WASHER	1	Start Date: 2/25/2008 0:00:00. Start Date: 12/31/9999 0:00:00.	
210-19	280-62505-08	FLOAT	1	Start Date: 2/25/2008 0:00:00. Start Date: 12/31/9999 0:00:00.	
210-22	263-62400-08	JET,MAIN	1	Start Date: 2/25/2008 0:00:00. Start Date: 12/31/9999 0:00:00.	
210-28	215-62353-08	SCREW,DRAIN	1	Start Date: 2/25/2008 0:00:00. Start Date: 12/31/9999 0:00:00.	
210-29	215-62446-08	SPRING,DRAIN	1	Start Date: 2/25/2008 0:00:00. Start Date: 12/31/9999 0:00:00.	
210-38	258-62556-08	SCREW SET(FLOAT PIN)	1	Start Date: 2/25/2008 0:00:00. Start Date: 12/31/9999 0:00:00.	
210-40	263-62451-08	SCREW,THRO.ADJUST	1	Start Date: 2/25/2008 0:00:00. Start Date: 12/31/9999 0:00:00.	
210-41	258-62445-08	SPRING(ADJUST SCREW)	1	Start Date: 2/25/2008 0:00:00. Start Date: 12/31/9999 0:00:00.	
210-57	258-62450-08	SCREW SET(AIR HORN)	4	Start Date: 2/25/2008 0:00:00. Start Date:	

					12/31/9999 0:00:00.
210-59	263-62560-08	O-RING	1		
210-61	280-62551-08	COLLAR,CHOKE	1	Start Date: 2/25/2008 0:00:00. Start Date:	12/31/9999 0:00:00.
210-62	258-62554-08	GASKET (FOAM)	1	Start Date: 2/25/2008 0:00:00. Start Date:	12/31/9999 0:00:00.
210-93	263-62524-08	LEVER ASSY,CHOKE	1	Start Date: 2/25/2008 0:00:00. Start Date:	12/31/9999 0:00:00.
210-94	263-62445-08	SPRING,CHOKE	1	Start Date: 2/25/2008 0:00:00. Start Date:	12/31/9999 0:00:00.
210-102	226-62580-08	GASKET (FELT)	1	Start Date: 2/25/2008 0:00:00. Start Date:	12/31/9999 0:00:00.
210-103	258-62570-08	COLLAR(THRO.SHAFT)	1	Start Date: 2/25/2008 0:00:00. Start Date:	12/31/9999 0:00:00.
210-125	263-62556-08	VALVE CP,(SOLENOID)	1	Start Date: 2/25/2008 0:00:00. Start Date:	12/31/9999 0:00:00.
210-126	258-62546-08	GASKET,MAIN PASSAGE	1	Start Date: 2/25/2008 0:00:00. Start Date:	12/31/9999 0:00:00.
210-129	258-62566-08	CLAMP(SOLENOID) WIRE	1	Start Date: 2/25/2008 0:00:00. Start Date:	12/31/9999 0:00:00.

FIG. 700

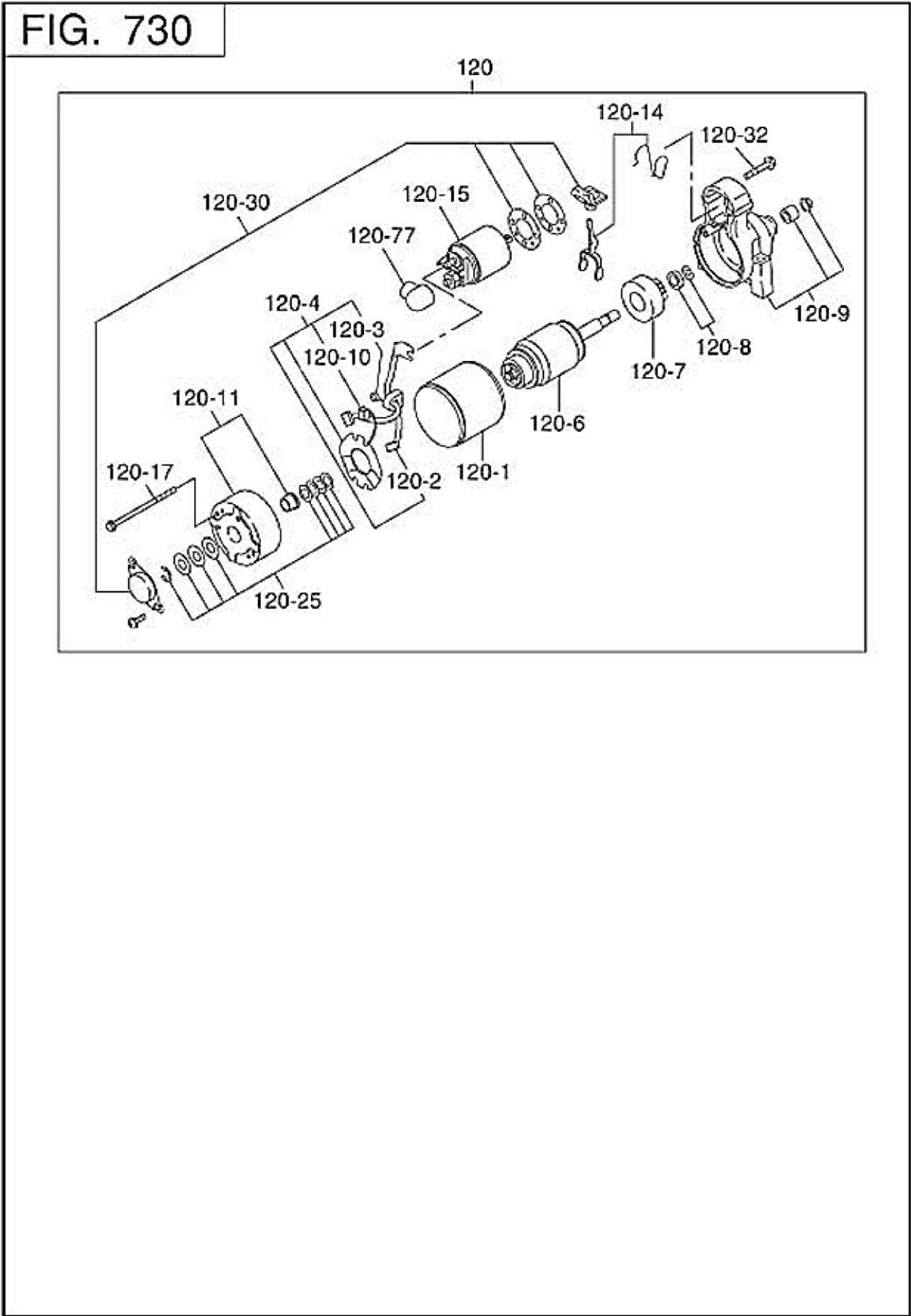


EH65/64/63

263070001W00

Ref #	Part #	Description	Qty	Context Note	Foot Note
10	263-77202-11	FLYWHEEL CP	1	End Code: 7764. Start Date: 2/25/2008 0:00:00. Start Date: 4/3/2008 0:00:00.	
10	263-77203-11	FLYWHEEL CP	1	Start Code: 7765. Start Date: 4/4/2008 0:00:00. Start Date: 12/31/9999 0:00:00.	
11	263-78203-01	IGNITION COIL CP	2	Start Date: 7/1/2005 0:00:00. Start Date: 12/31/9999 0:00:00. Remarks: MARK AK.	
15	263-79402-B1	CHARGE COIL CP	1	Start Date: 9/1/2004 0:00:00. Start Date: 12/31/9999 0:00:00.	
20	263-71002-03	RING GEAR	1	Start Date: 5/1/2007 0:00:00. Start Date: 12/31/9999 0:00:00. Remarks: 202DX233DX8.7B N=90.	
30	001-14062-50	BOLT AND WASHER ASSY	4	M6X1.0X25	
35	001-16052-50	BOLT & WASHER AY	4	Start Date: 9/1/2004 0:00:00. Start Date: 12/31/9999 0:00:00.	
50	263-73126-H1	WIRE CP(IG.COIL)	1	Start Date: 7/1/2005 0:00:00. Start Date: 12/31/9999 0:00:00. Remarks: BLACK.	
95	X65-91000-10	PLUG TERMINAL	2	Start Date: 9/1/2004 0:00:00. Start Date: 12/31/9999 0:00:00.	
100	X65-01407-30	SPARK PLUG	2	Start Date: 9/1/2004 0:00:00. Start Date: 12/31/9999 0:00:00. Remarks: NGK BPR4EY.	
110	X65-51000-10	SPARK PLUG CAP	2	Start Date: 5/21/2004 0:00:00. Start Date: 12/31/9999 0:00:00.	
130	X11-00801-00	FLANGE BOLT	2	Start Date: 9/1/2004 0:00:00. Start Date: 12/31/9999 0:00:00. Remarks: M8X1.25X17DX65L.	
216	002-38080-00	FLANGE NUT	1	M8X1.25	
291	263-71902-A1	REGULATOR CP 30A	1	Start Date: 9/1/2004 0:00:00. Start Date: 12/31/9999 0:00:00.	
301	X11-00601-40	FLANGE BOLT	2	Start Date: 9/1/2004 0:00:00. Start Date: 12/31/9999 0:00:00. Remarks: M6X1.0X14DX18L.	
330	280-73101-A1	WIRING HARNESS	1	Start Date: 5/21/2004 0:00:00. Start Date: 12/31/9999 0:00:00.	
384	X56-30000-80	WIRE BAND	3	Start Date: 9/1/2004 0:00:00. Start Date: 12/31/9999 0:00:00. Remarks: 4.8BX1.2TX190L.	
410	056-60002-50	CLAMP	1	Start Date: 5/21/2004 0:00:00. Start Date: 12/31/9999 0:00:00. Remarks: 6.5DX10BX95LX0.6T.	
760	263-73102-11	WIRE AY(OIL PRE.SW.)	1	Start Date: 5/21/2004 0:00:00. Start Date: 12/31/9999 0:00:00. Remarks: L=900 GRAY.	
770	206-75501-A1	CLAMP CP	2	Start Date: 4/1/2007 0:00:00. Start Date: 12/31/9999 0:00:00.	

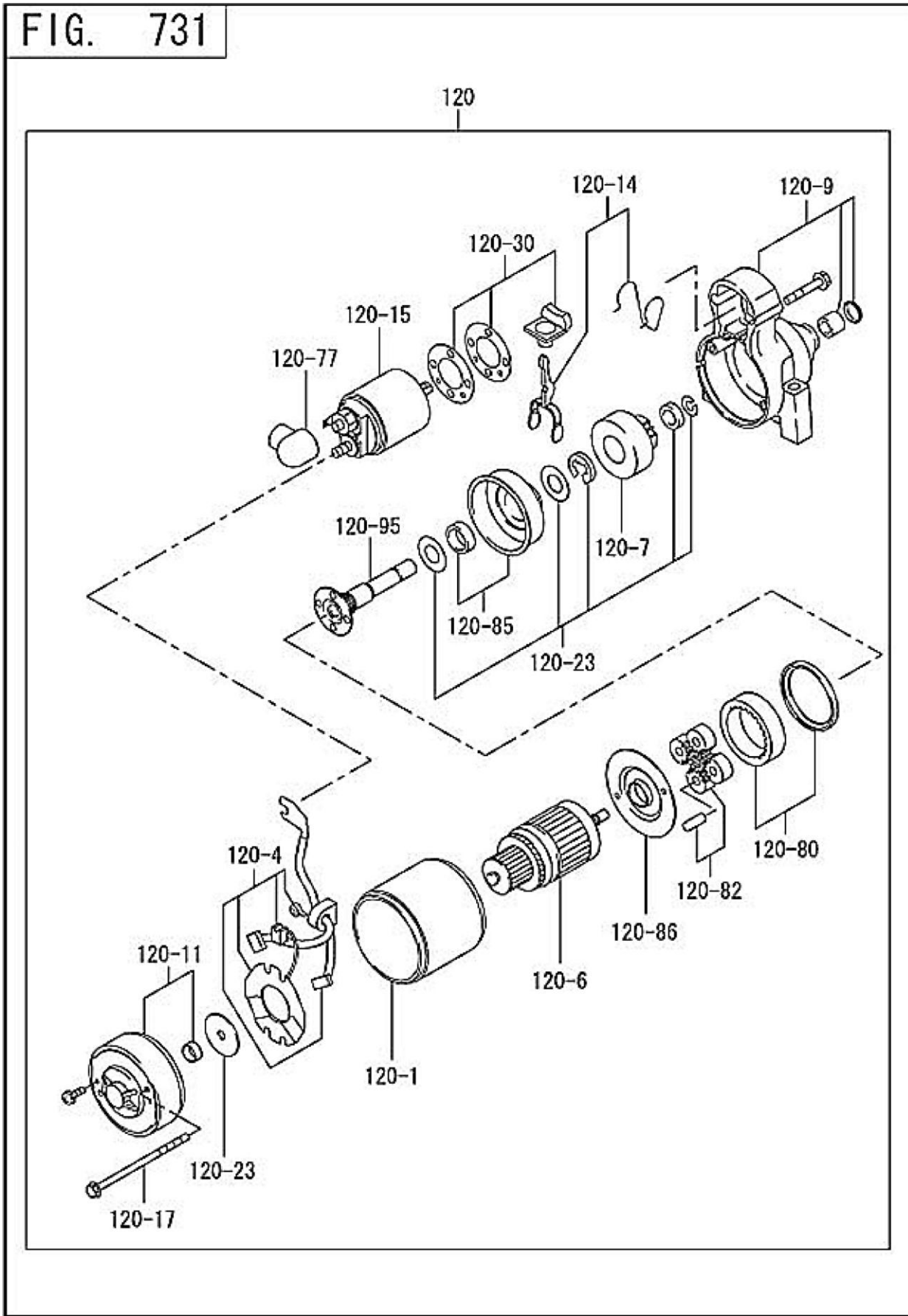
FIG. 730



EH65/64/63

263073000W01

Ref #	Part #	Description	Qty	Context Note	Foot Note
120	263-70502-A0	STARTING MOTOR AY	1	End Code: 8309. Start Date: 2/25/2008 0:00:00. Start Date: 9/30/2009 0:00:00.	
120	255-70580-08	YOKE AY	1	End Code: 8309. Start Date: 2/25/2008 0:00:00. Start Date: 9/30/2009 0:00:00.	
120	255-70551-08	BRUSH SET	1	End Code: 8309. Start Date: 2/25/2008 0:00:00. Start Date: 9/30/2009 0:00:00.	
120	228-70516-08	BRUSH SPRING	4	End Code: 8309. Start Date: 2/25/2008 0:00:00. Start Date: 9/30/2009 0:00:00.	
120	255-70531-08	BRUSH HOLDER AY	1	End Code: 8309. Start Date: 2/25/2008 0:00:00. Start Date: 9/30/2009 0:00:00.	
120	263-70510-08	ARMATURE ASS'Y	1	End Code: 8309. Start Date: 2/25/2008 0:00:00. Start Date: 9/30/2009 0:00:00.	
120	255-70521-08	PINION AY	1	End Code: 8309. Start Date: 2/25/2008 0:00:00. Start Date: 9/30/2009 0:00:00.	
120	210-70534-08	PINION STOPPER SET	1	End Code: 8309. Start Date: 2/25/2008 0:00:00. Start Date: 9/30/2009 0:00:00.	
120	263-70500-08	GEAR CASE ASS'Y	1	End Code: 8309. Start Date: 2/25/2008 0:00:00. Start Date: 9/30/2009 0:00:00.	
120	228-70514-08	BRUSH (-)	2	End Code: 8309. Start Date: 2/25/2008 0:00:00. Start Date: 9/30/2009 0:00:00.	
120	263-70505-08	REAR COVER ASS'Y	1	End Code: 8309. Start Date: 2/25/2008 0:00:00. Start Date: 9/30/2009 0:00:00.	
120	243-70525-08	SHIFT LEVER KIT	1	End Code: 8309. Start Date: 2/25/2008 0:00:00. Start Date: 9/30/2009 0:00:00.	
120	263-70515-08	MAGNETIC SWITCH AY	1	End Code: 8309. Start Date: 2/25/2008 0:00:00. Start Date: 9/30/2009 0:00:00.	
120	207-70524-08	THROUGH BOLT	2	End Code: 8309. Start Date: 2/25/2008 0:00:00. Start Date: 9/30/2009 0:00:00.	
120	263-70550-08	THRUST WASHER KIT	1	End Code: 8309. Start Date: 2/25/2008 0:00:00. Start Date: 9/30/2009 0:00:00.	
120	255-70570-08	DUST COVER KIT	1	End Code: 8309. Start Date: 2/25/2008 0:00:00. Start Date: 9/30/2009 0:00:00.	
120	263-70551-08	BOLT(M6X37)	2	End Code: 8309. Start Date: 2/25/2008 0:00:00. Start Date: 9/30/2009 0:00:00.	
120	207-70526-08	RUBBER CAP BS	1	End Code: 8309. Start Date: 2/25/2008 0:00:00. Start Date: 9/30/2009 0:00:00.	



EH65/64/63

263073100W00

Ref #	Part #	Description	Qty	Context Note	Foot Note
120	263-70503-00	STARTING MOTOR AY	1	Start Code: 8310. Start Date: 10/1/2009 0:00:00. Start Date: 12/31/9999 0:00:00.	
120	263-70561-08	YOKE AY	1	Start Code: 8310. Start Date: 10/1/2009 0:00:00. Start Date: 12/31/9999 0:00:00.	
120	245-70503-08	BRUSH HOLDER AY	1	Start Code: 8310. Start Date: 10/1/2009 0:00:00. Start Date: 12/31/9999 0:00:00.	
120	263-70512-08	ARMATURE AY	1	Start Code: 8310. Start Date: 10/1/2009 0:00:00. Start Date: 12/31/9999 0:00:00.	
120	263-70522-08	PINION AY	1	Start Code: 8310. Start Date: 10/1/2009 0:00:00. Start Date: 12/31/9999 0:00:00.	
120	263-70503-08	GEAR CASE AY	1	Start Code: 8310. Start Date: 10/1/2009 0:00:00. Start Date: 12/31/9999 0:00:00.	
120	263-70507-08	REAR COVER AY	1	Start Code: 8310. Start Date: 10/1/2009 0:00:00. Start Date: 12/31/9999 0:00:00.	
120	245-70518-08	SHIFT LEVER SET	1	Start Code: 8310. Start Date: 10/1/2009 0:00:00. Start Date: 12/31/9999 0:00:00.	
120	263-70515-08	MAGNETIC SWITCH AY	1	Start Code: 8310. Start Date: 10/1/2009 0:00:00. Start Date: 12/31/9999 0:00:00.	
120	207-70524-08	THROUGH BOLT	2	Start Code: 8310. Start Date: 10/1/2009 0:00:00. Start Date: 12/31/9999 0:00:00.	
120	245-70516-08	WASHER STOPPER SET	1	Start Code: 8310. Start Date: 10/1/2009 0:00:00. Start Date: 12/31/9999 0:00:00.	
120	245-70520-08	DUST COVER KIT	1	Start Code: 8310. Start Date: 10/1/2009 0:00:00. Start Date: 12/31/9999 0:00:00.	
120	207-70526-08	RUBBER CAP BS	1	Start Code: 8310. Start Date: 10/1/2009 0:00:00. Start Date: 12/31/9999 0:00:00.	
120	263-70596-08	INTERNAL GEAR	1	Start Code: 8310. Start Date: 10/1/2009 0:00:00. Start Date: 12/31/9999 0:00:00.	
120	263-70576-08	PLANET GEAR	3	Start Code: 8310. Start Date: 10/1/2009 0:00:00. Start Date: 12/31/9999 0:00:00.	
120	245-70509-08	CENTER BRACKET (P)	1	Start Code: 8310. Start Date: 10/1/2009 0:00:00. Start Date: 12/31/9999 0:00:00.	
120	263-70591-08	CENTER BRACKET (A)	1	Start Code: 8310. Start Date: 10/1/2009 0:00:00. Start Date: 12/31/9999 0:00:00.	
120	263-70571-08	PINION SHAFT	1	Start Code: 8310. Start Date: 10/1/2009 0:00:00. Start Date: 12/31/9999 0:00:00.	