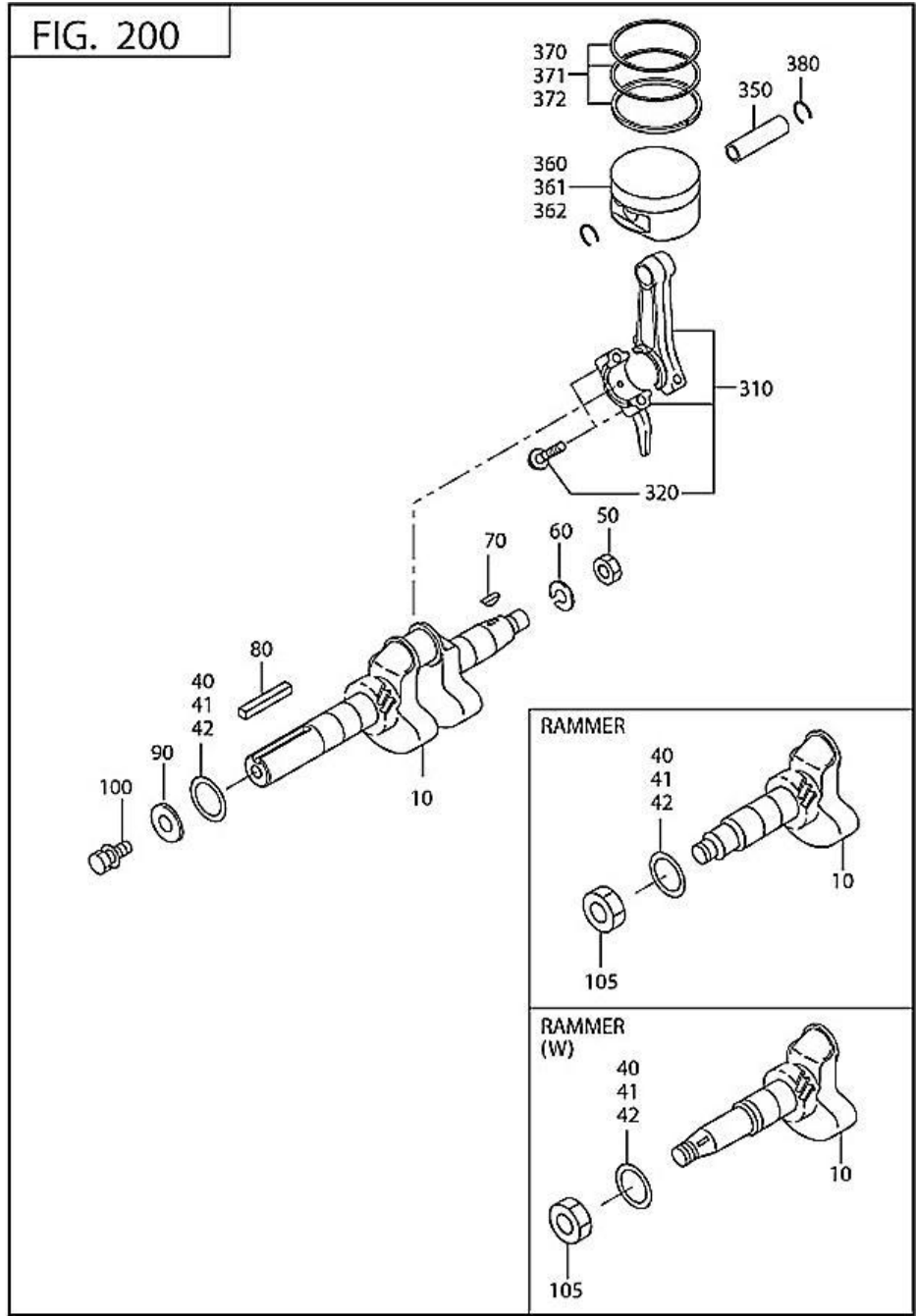


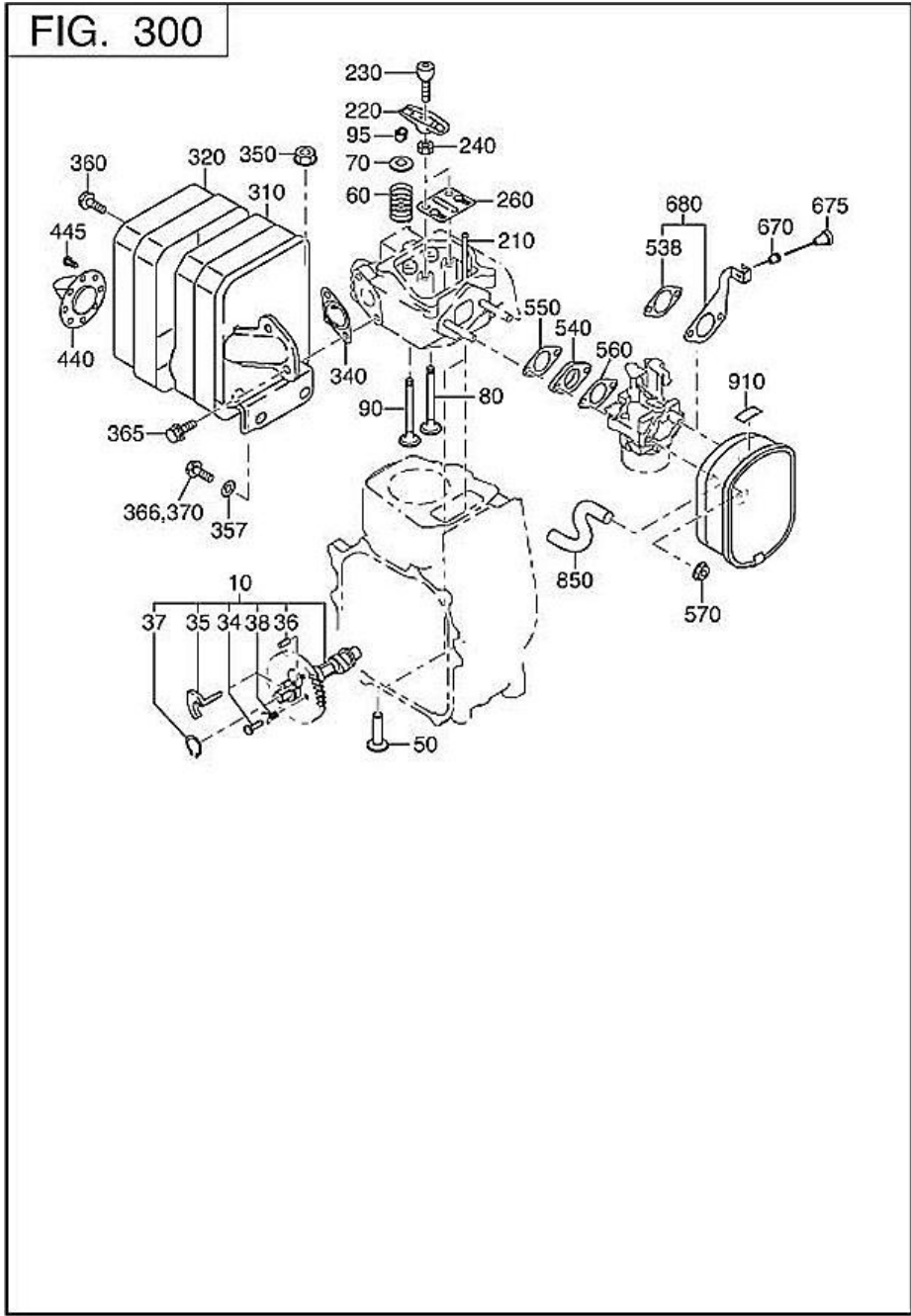
Ref #	Part #	Description	Qty	Context Note	Foot Note
10	20F-10101-21	CRANKCASE CP	1		
20	237-14202-03	VALVE GUIDE	2		
26	20F-16010-01	STEM SEAL	1		
30	044-02000-70	OIL SEAL	1		
40	060-02001-40	BALL BEARING	1		
50	20F-00600-23	DOWEL PIN	2	INTERCHANGEABLE W/031-00600-20	
70	20F-50604-30	STUD	2		
75	044-00600-20	OIL SEAL	1		
80	040-11400-30	PLUG	2		
90	021-11400-20	GASKET	2		
150	20F-13401-01	BASE CP	1		
160	20F-13081-80	BOLT AND WASHER AY	4		
210	20F-11001-21	MAINBEARING COVER CP	1		
220	044-02001-10	OIL SEAL	1		
230	060-02001-40	BALL BEARING	1		
250	284-45003-01	GOVERNOR GEAR CP	1		
260	205-41901-03	GOVERNOR SLEEVE	1		
270	20F-63601-11	OIL GAUGE CP	2		
280	021-31600-30	GASKET	2		
290	284-16003-03	GASKET(BEARING COVER	1		
300	20F-00601-01	FLANGE BOLT	8		
610	20F-13001-10	CYLINDER HEAD AY	1		
620	284-15001-13	GASKET (HEAD)	1		
630	20F-00802-10	FLANGE BOLT	1		
631	20F-00804-10	BOLT	1		
632	20F-00804-20	BOLT	1		
633	20F-00803-01	FLANGE BOLT	1		
637	20F-00802-11	WASHER	1		
680	20F-15501-03	ROCKER COVER	1		
690	284-16007-03	GASKET(ROCKER COVER)	1		
700	20F-15011-03	PIPE KNOCK	2		
710	20F-00604-00	BOLT	4		
810	284-14301-01	BREATHER COVER CP	1		
820	284-14401-01	BREATHER PLATE CP	1		
830	230-16006-13	GASKET(TAPPET COVER)	2		
860	20F-00600-21	FLANGE BOLT	2		
960	284-99003-07	GASKET SET	1		



EH092

284020001W03

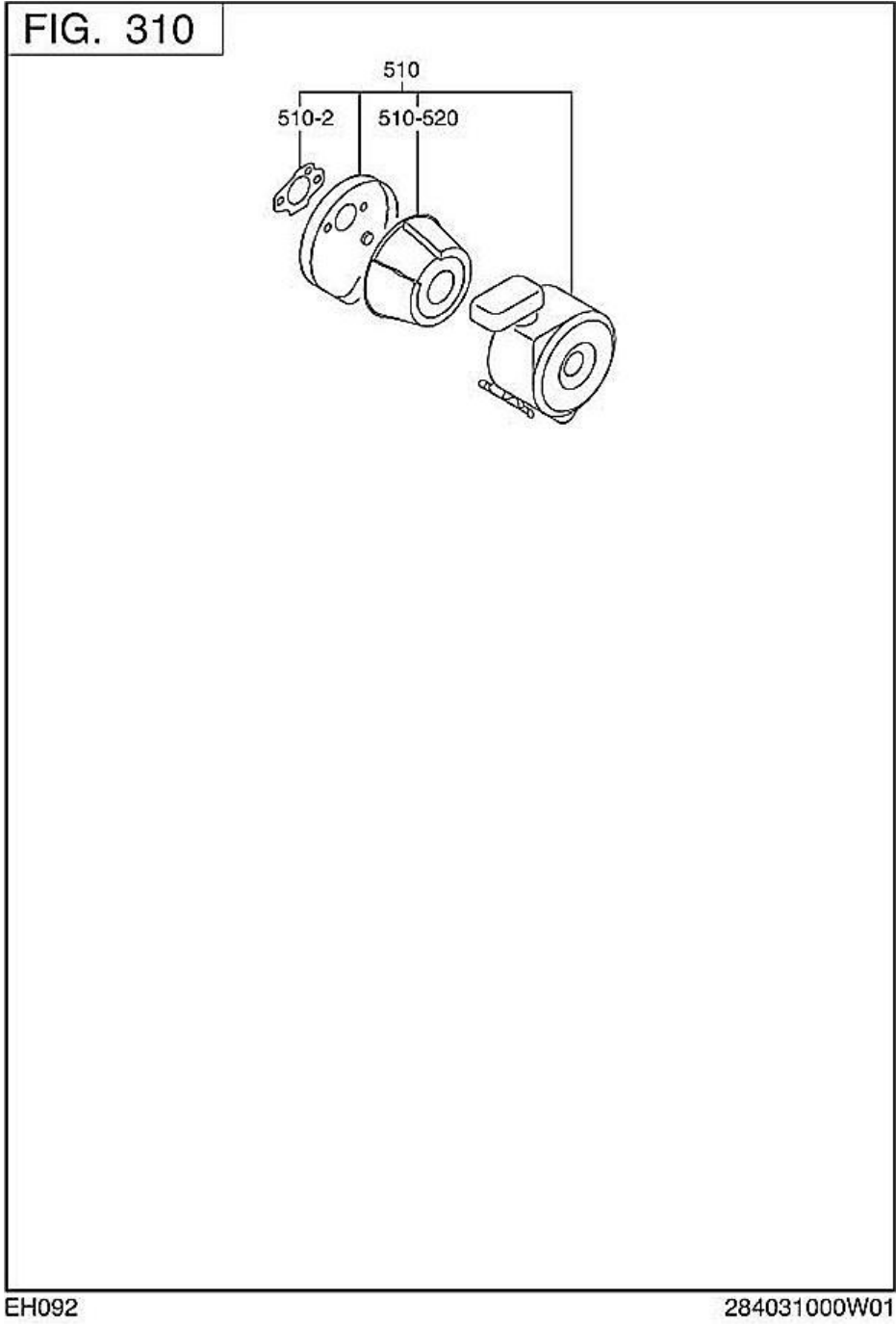
Ref #	Part #	Description	Qty	Context Note	Foot Note
10	20F-20701-11	CRANKSHAFT CP	1		
40	20F-02001-00	SPACER	1		
41	20F-02001-90	SPACER	1		
42	20F-02001-20	SPACER	1		
50	20F-18140-00	NUT	1		
60	003-20140-00	SPRING WASHER	1		
70	005-32031-01	WOODRUFF KEY	1		
80	032-00501-50	KEY	1		
90	020-00800-50	WASHER	1		
100	001-13081-60	BOLT AND WASHER AY	1		
310	20F-22501-30	CONNECTING ROD ASSY	1		
320	20F-23001-03	CONNECTING ROD BOLT	2		
350	20F-23301-03	PISTON PIN	1		
360	20F-23401-H3	PISTON	1		
361	20F-23402-H3	PISTON	1		
362	20F-23403-H3	PISTON	1		
370	20F-23501-17	PISTON RING SET	1		
371	20F-23502-17	PISTON RING SET	1		
372	20F-23503-17	PISTON RING SET	1		
380	056-51100-10	CLIP	2		



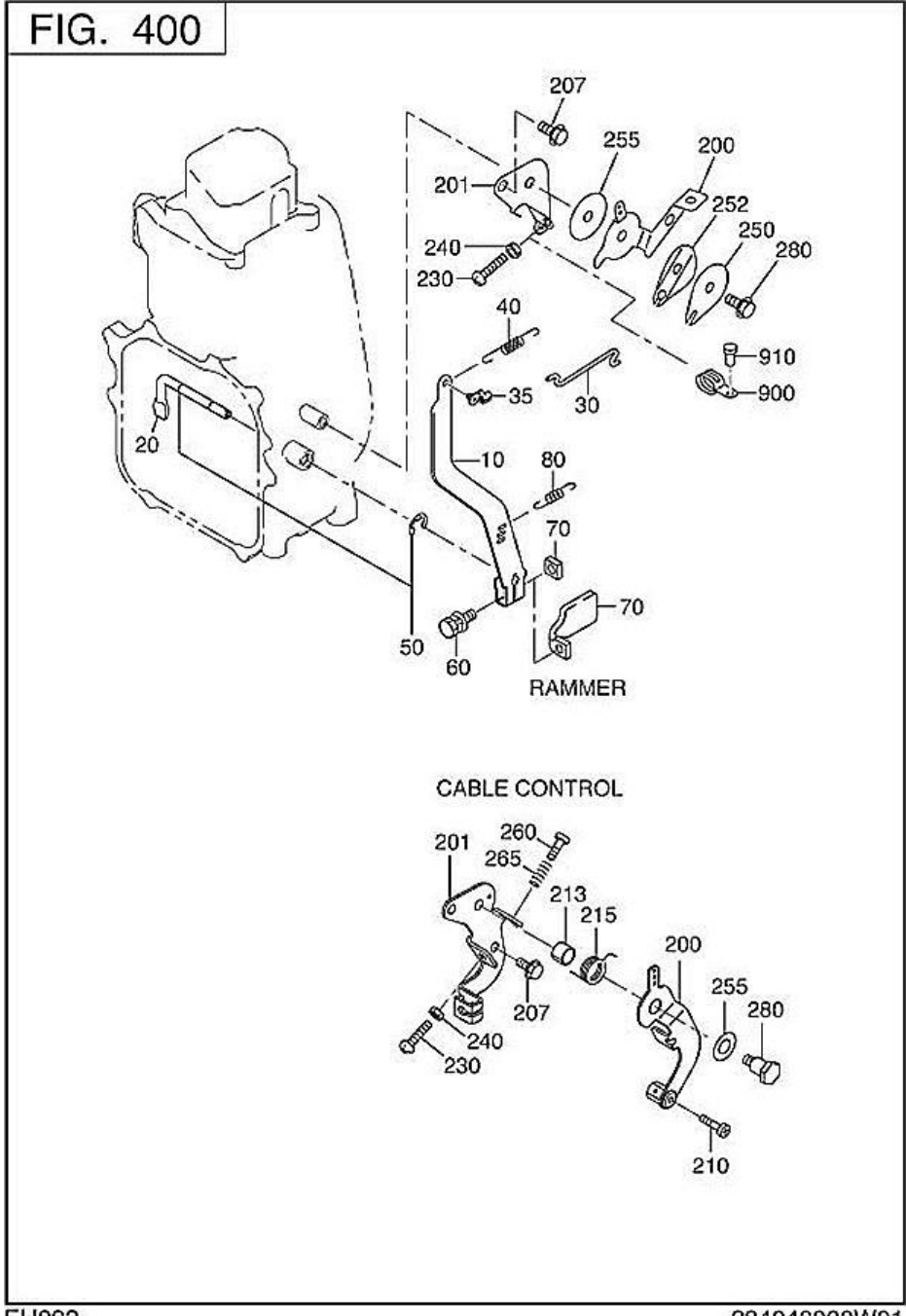
EH092

284030000W01

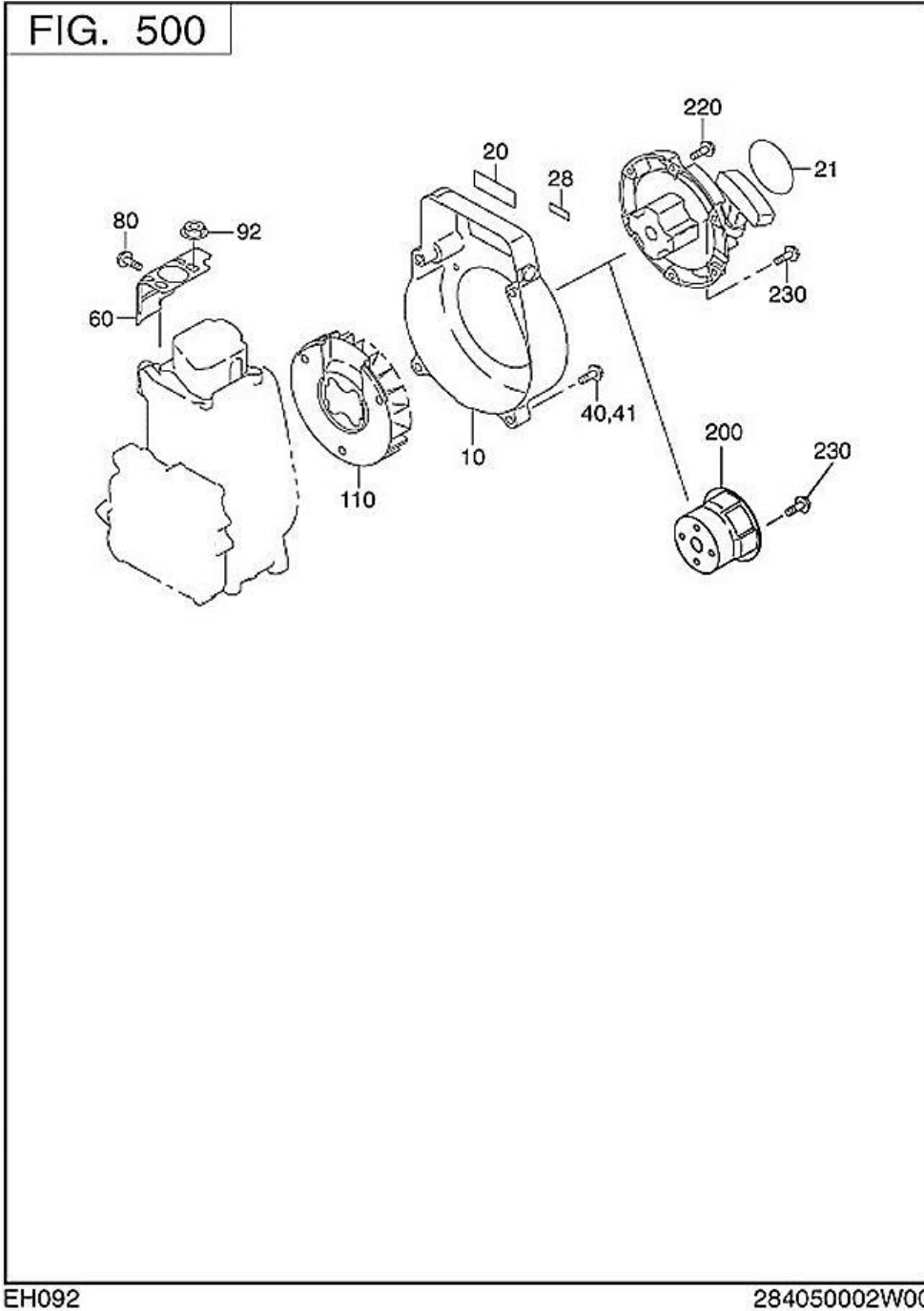
Ref #	Part #	Description	Qty	Context	Note	Foot	Note
10	20F-31702-11	CAMSHAFT CP	1				
34	20F-38601-23	PIN (SPRING)	1				
35	20F-36401-03	RELEASE LEVER	1				
36	20F-19041-00	SPRING PIN	1				
37	20F-15170-00	SNAP RING OUT	1				
38	20F-38701-23	RETURN SPRING	1				
50	20F-33301-03	TAPPET	2				
60	20F-33601-03	VALVE SPRING	2				
70	20F-33702-03	SPRING RETAINER	2				
80	20F-33401-03	INTAKE VALVE	1				
90	20F-33501-03	EXHAUST VALVE	1				
95	20F-10KA0-31	COLLET-VALVE	4				
210	20F-35301-03	PUSH ROD	2				
220	20F-36001-13	ROCKER ARM	2				
230	269-35802-03	BOLT (PIVOT)	2				
230	269-35801-03	BOLT (PIVOT)	2				
240	017-00600-90	NUT	2				
260	20F-36501-03	GUIDE PLATE	1				
310	20F-30101-21	MUFFLER CP	1				
320	20F-34201-11	MUFFLER COVER CP	1				
340	284-35201-03	GASKET (EXHAUST)	1				
360	015-20600-90	TAPPING BOLT	3	M6X10			
365	20F-13061-60	BOLT AND WASHER AY	2				
366	20F-14081-60	BOLT AND WASHER AY	2				
440	20F-37001-01	DEFLECTOR CP	1				
440	236-37001-01	DEFLECTOR CP	1				
445	015-00400-10	TAPPING SCREW	2				
538	227-35902-03	GASKET 2 (INSULATOR)	1				
540	20F-32912-13	INSULATOR	1				
550	284-35902-13	GASKET (INTAKE)	1				
560	157-35001-03	GASKET (INSULATOR)	1				
570	226-39212-H0	NUT AND WASHER AY	2				
570	226-39212-00	NUT AND WASHER AY	2				
670	024-10200-10	GROMMET	1				
675	20F-43904-01	KNOB COMPL	1				
680	284-47101-01	CHOKE BRACKET CP	1				
850	20F-16101-03	RUBBER PIPE	1				



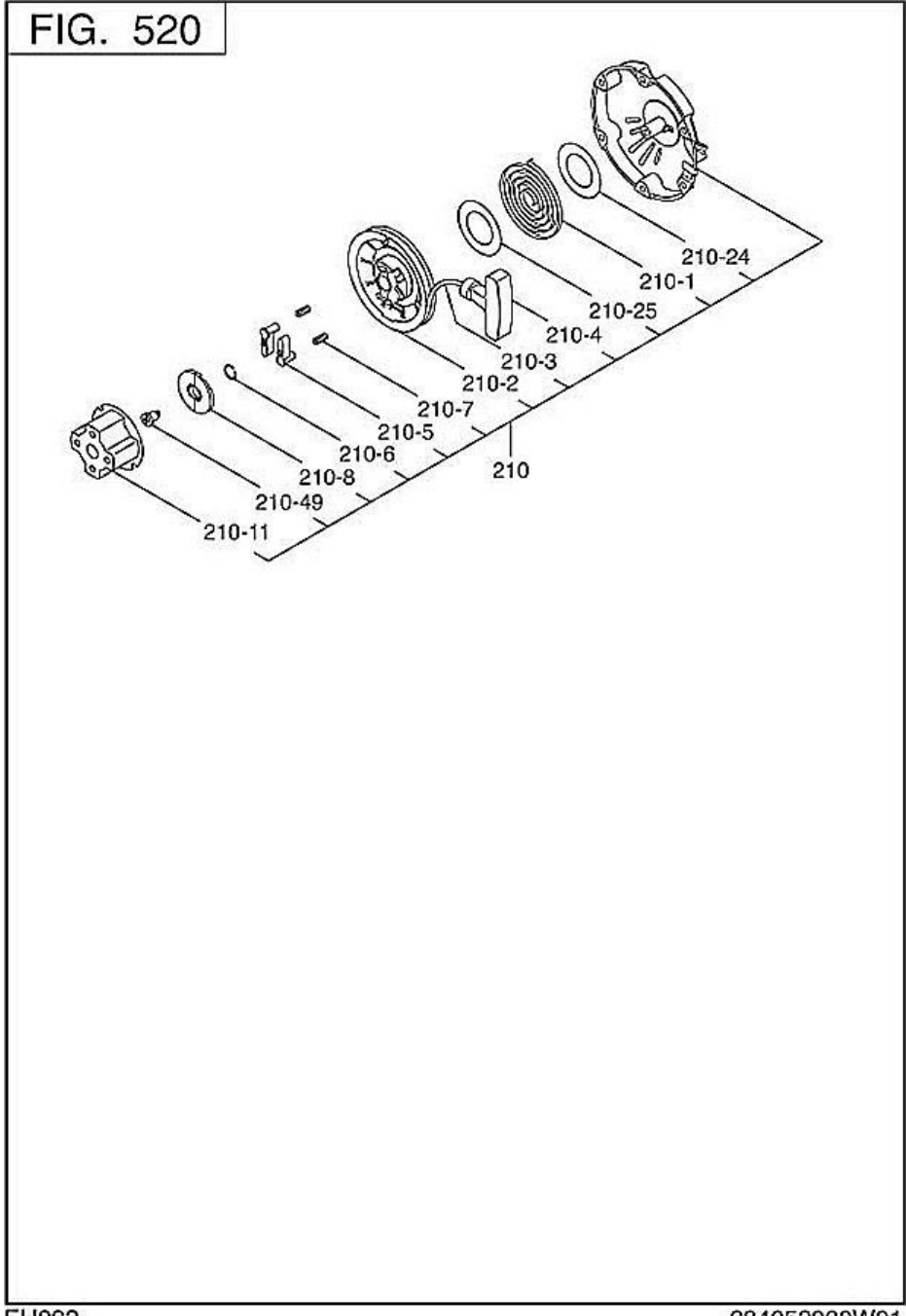
Ref #	Part #	Description	Qty	Context	Note	Foot	Note
510	284-32610-00	AIR CLEANER AY	1				
510-2	227-36004-13	GASKET(AIR CLEANER)	1				
510-520	252-32613-07	ELEMENT SET	1				



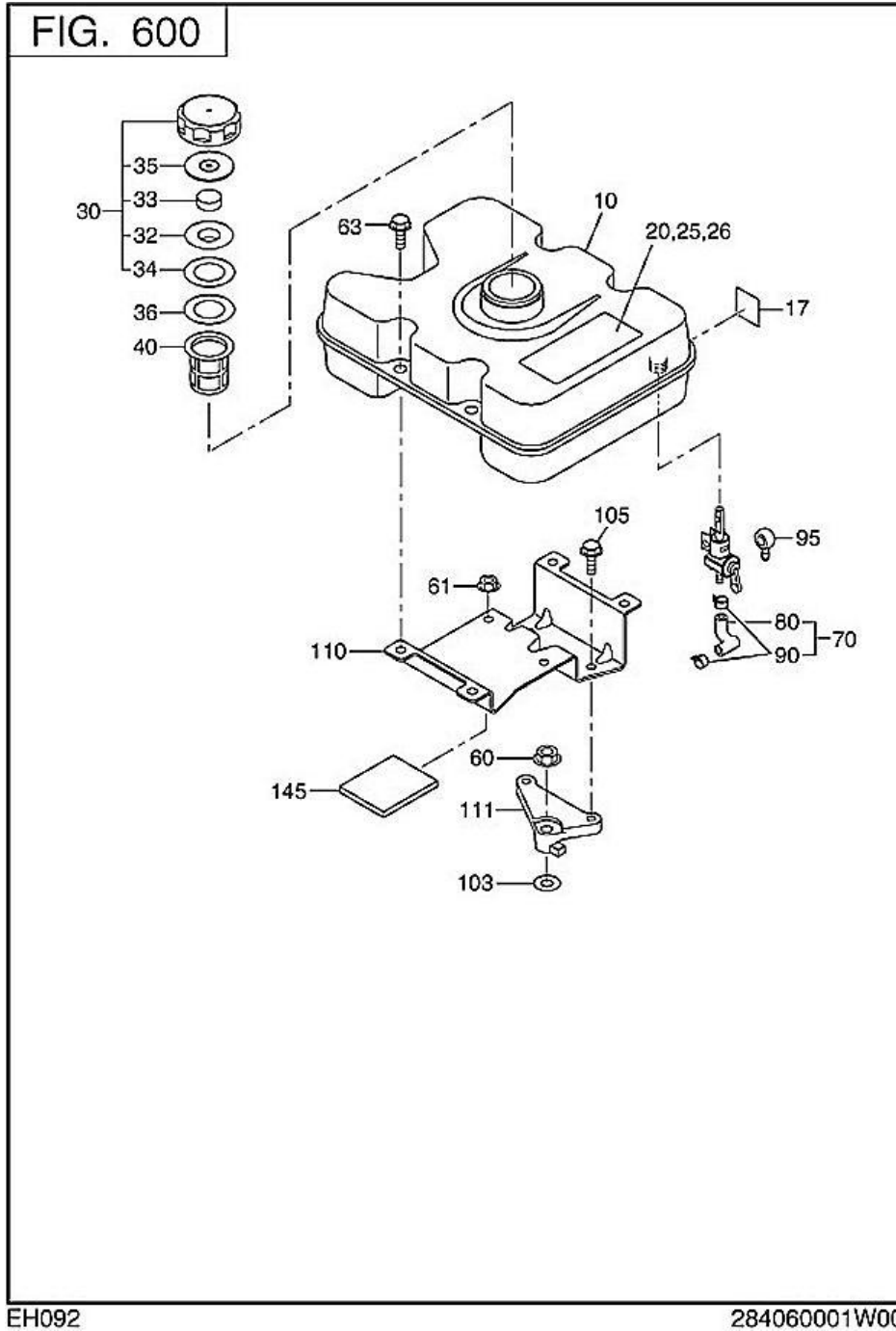
Ref #	Part #	Description	Qty	Context Note	Foot Note
10	284-42306-03	GOVERNOR LEVER	1		
20	20F-42201-13	GOVERNOR SHAFT	1		
30	234-42701-H1	GOVERNOR ROD	1		
40	234-42801-H1	ROD SPRING	1		
50	003-13050-00	CLIP	2		
60	20F-14062-50	BOLT AND WASHER AY	1		
70	X18-60600-50	NUT	1		
70	018-60600-20	SQUARE NUT	1	M6X1.0X4.9	
80	284-42506-03	GOVERNOR SPRING	1		
200	284-43301-01	SPEED CONTROL CP	1		
201	230-45001-11	BASE PLATE CP	1		
207	20F-00600-10	FLANGE BOLT	2		
230	20F-31063-00	SCREW	1		
240	20F-27060-00	NUT	1		
250	20F-43501-13	STOP PLATE	1		
252	227-45002-03	SPRING WASHER	1		
255	021-70600-30	FRICTION WASHER	1		
280	20F-00600-30	FLANGE BOLT	1		



Ref #	Part #	Description	Qty	Context Note	Foot Note
10	20F-51301-01	BLOWER HOUSING CP	1		
20	20F-95102-03	LABEL(MODEL)	1		
21	20F-20054-70	LABEL(TRADE MARK)	1		
40	20F-04081-60	FLANGE BOLT	3		
41	20F-04085-00	FLANGE BOLT	1		
60	20F-52601-01	CYLINDER BAFFLE CP	1		
80	20F-00600-10	FLANGE BOLT	1		
92	20F-38080-00	FLANGE NUT	1		
110	20F-54101-03	COOLING BLOWER	1		
220	20F-00600-10	FLANGE BOLT	3		

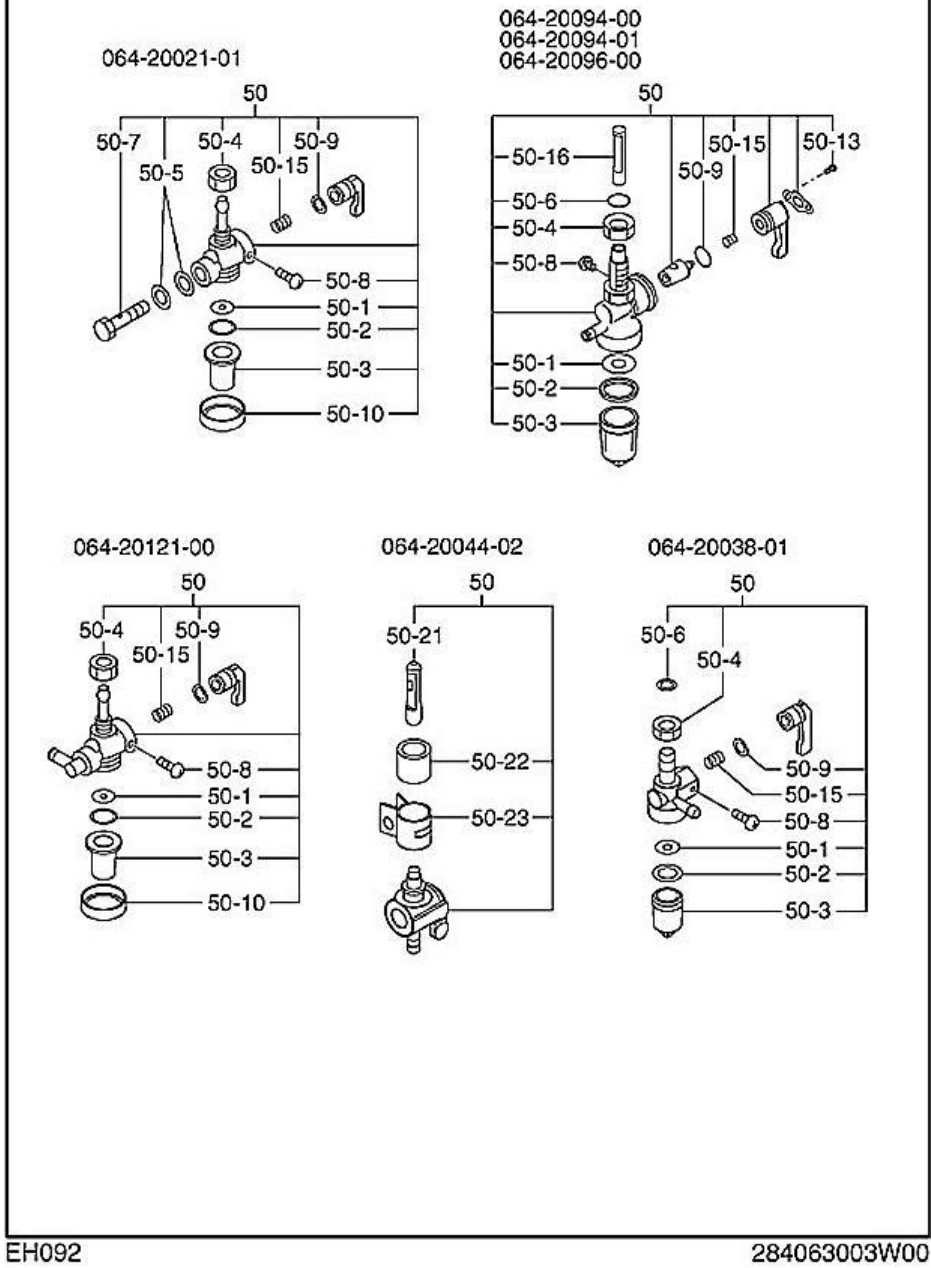


Ref #	Part #	Description	Qty	Context Note	Foot Note
210	20F-50211-30	RECOIL STARTER AY	1		
210	20F-50211-20	RECOIL STARTER AY	1		
210-1	20F-50115-08	SPIRAL SPRING	1		
210-2	20F-50120-18	REEL	1		
210-3	20F-50112-08	STARTER ROPE	1		
210-4	20F-50100-18	STARTER KNOB	1		
210-4	20F-50100-08	STARTER KNOB	1		
210-5	20F-50125-08	RATCHET	2		
210-6	274-50131-08	FRICTION SPRING	1		
210-7	227-50135-08	RETURN SPRING	2		
210-8	270-50261-08	RATCHET GUIDE	1		
210-11	20F-50145-08	STARTER PULLEY	1		
210-24	20F-50152-08	SLIDE PLATE B	1		
210-25	20F-50150-08	SLIDE PLATE B	1		
210-49	227-50152-08	SET SCREW	1		



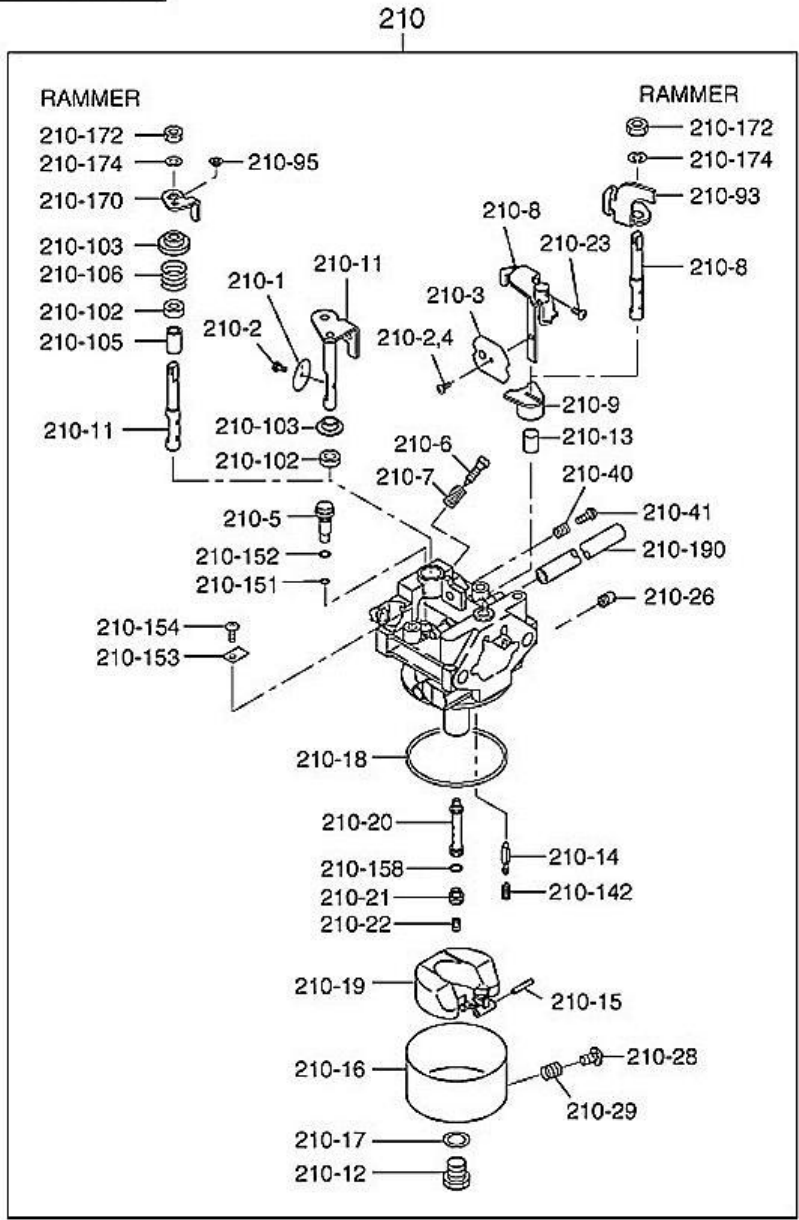
Ref #	Part #	Description	Qty	Context	Note	Foot Note
10	284-60101-02	FUEL TANK UN	1			
17	073-20050-80	LABEL(F.STRAINER)	1			
20	073-20057-60	LABEL (WARNING)	1			
30	043-04401-32	FUEL TANK CAP CP	1			
32	043-41800-12	INNER CAP	1			
33	084-12600-20	SPONGE	1			
34	021-02600-50	GASKET(TANK CAP)	1			
35	023-24200-12	PARTITION PLATE	1			
36	021-33100-20	GASKET(FILTER)	1			
40	20F-14200-40	FUEL FILTER	1			
60	20F-38080-00	FLANGE NUT	1			
61	20F-38060-00	FLANGE NUT	4			
63	20F-00600-21	FLANGE BOLT	4			
70	284-62603-01	FUEL PIPE CP	1			
90	056-10800-20	HOSE CLAMP	2			
103	20F-00802-20	WASHER	1			
105	011-00605-70	FLANGE BOLT	2			
110	20F-61601-01	FUEL TANK BRACKET CP	1			
111	20F-61602-03	BRACKET 2(TANK)	1			
145	284-65001-03	SPONGE (TANKBRACKET)	1			

FIG. 630



Ref #	Part #	Description	Qty	Context Note	Foot Note
50	064-20044-02	FUEL STRAINER AY	1		
50-21	064-20044-20	FILTER V-STD	1		
50-22	064-20044-90	JYJOINT PIPE V-STD	1		
50-23	064-20044-60	HOSE BAND AY V-STD	1		

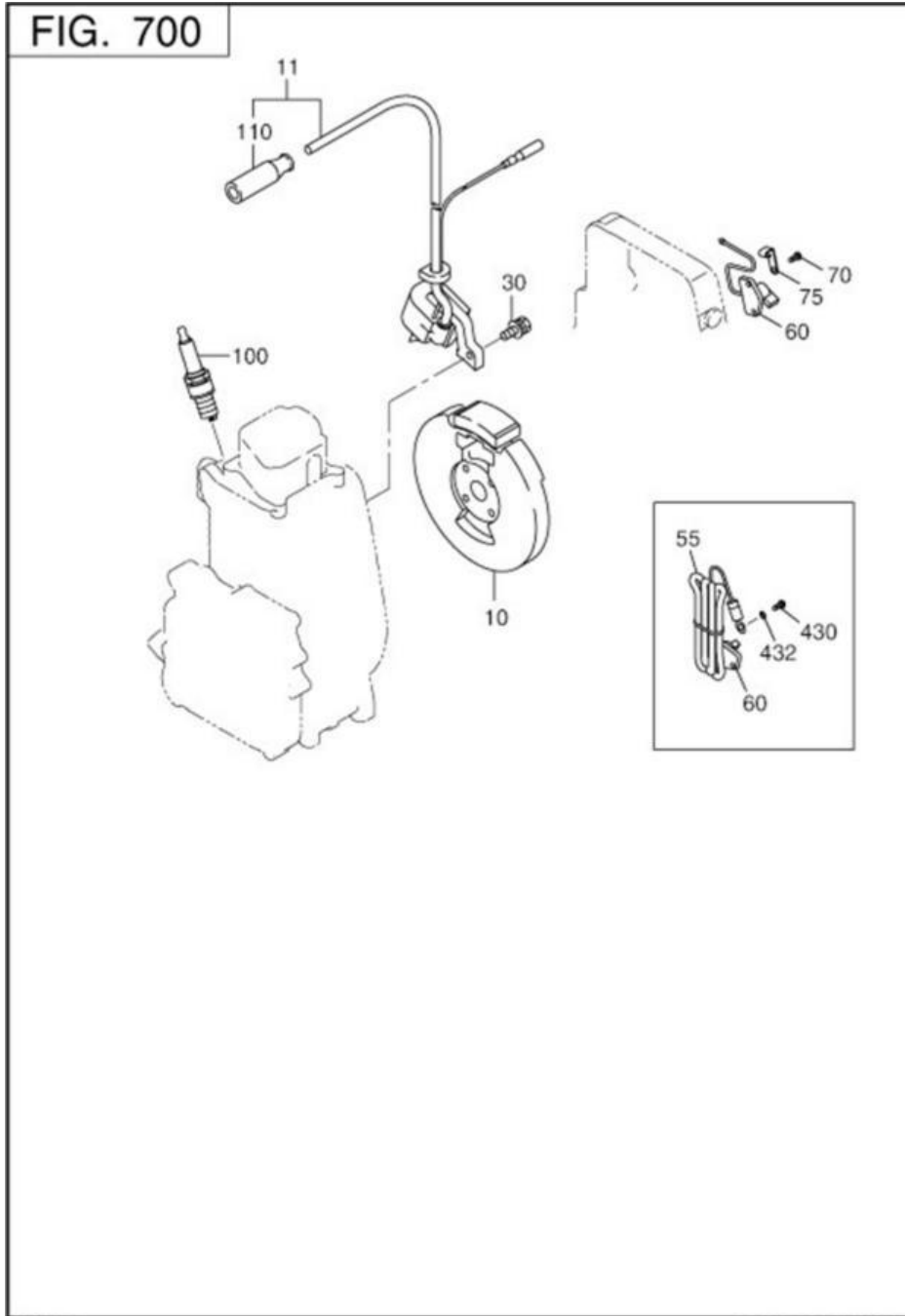
FIG. 640



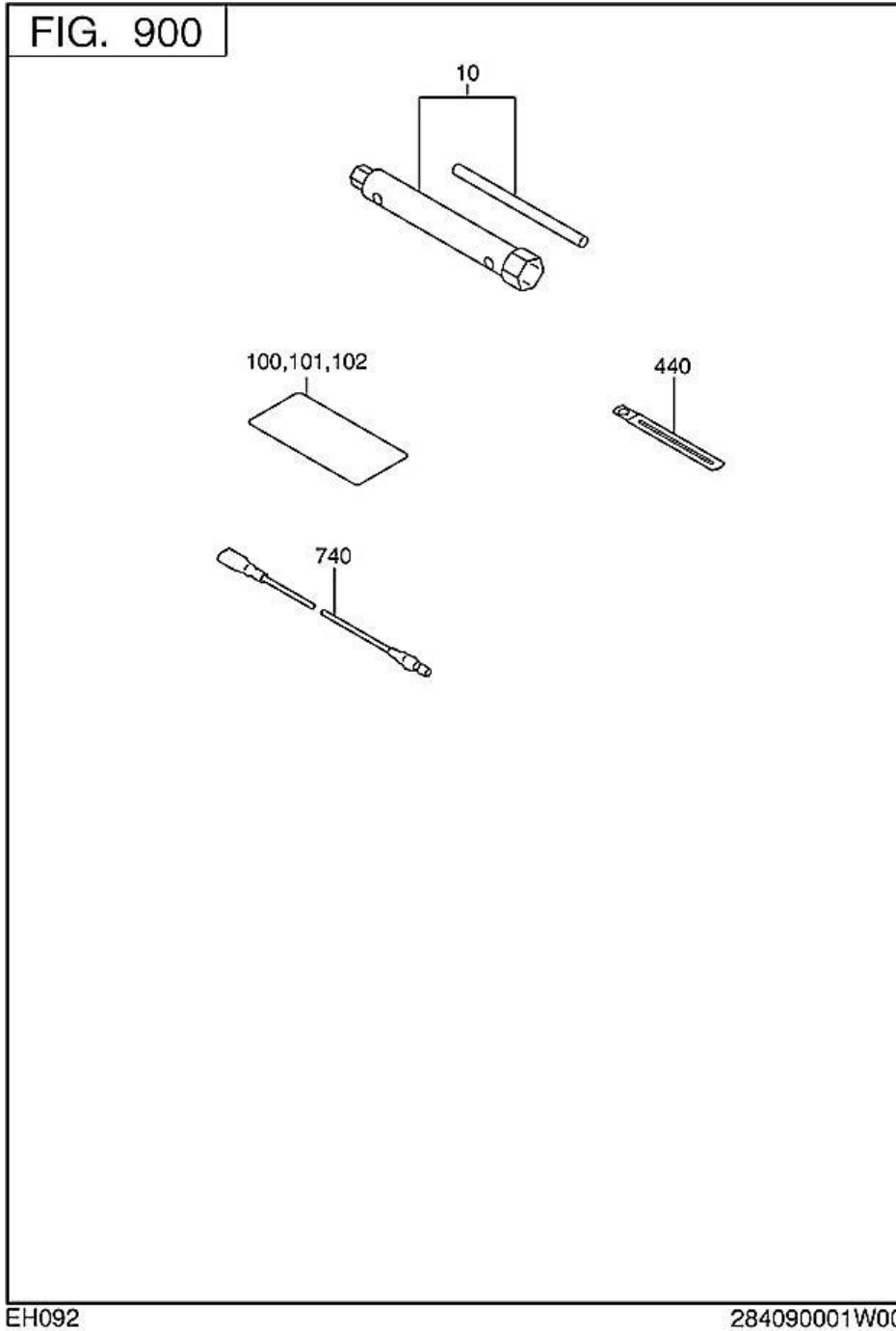
EH092

284064002W00

Ref #	Part #	Description	Qty	Context	Note	Foot	Note
210	284-62362-00	CARBURETOR AY	1				
210-1	274-62535-08	THROTTLE VALVE	1				
210-2	279-62356-08	SCREW	1				
210-3	236-62528-08	CHOKE VALVE	1				
210-4	277-62580-08	SCREW	2				
210-5	284-62421-08	PILOT JET	1				
210-7	230-62446-08	SPRING	2				
210-8	284-62554-08	CHOKE SHAFT BV15/332	1				
210-9	234-62550-08	RING	1				
210-11	284-62534-08	TH.SHAFT BV15/1087	1				
210-12	237-62450-08	BOLT	1				
210-13	226-62550-08	RING	1				
210-14	161-62352-08	NEEDLE	1				
210-15	236-62510-08	PIN	1				
210-16	293-62505-08	FLOAT.B AY BV15/308	1				
210-17	236-62450-08	PACKING	1				
210-18	236-62540-08	PACKING	1				
210-19	236-62505-08	FLOAT	1				
210-22	274-62402-08	MAIN JET	1				
210-23	242-62323-08	SCREW	1				
210-28	224-62450-08	SCREW	1				
210-29	209-62445-08	SPRING	1				
210-40	246-62435-08	ADJUST SCREW	1				
210-102	106-62371-08	SEAL	1				
210-103	284-62351-08	RING	1				
210-142	236-62445-08	SPRING	1				
210-151	106-62384-08	O-RING	1				
210-153	293-62350-08	PLATE BV15/312	1				
210-154	279-62351-08	SCREW	1				
210-158	129-62356-08	RING	1				



Ref #	Part #	Description	Qty	Context	Note	Foot Note
10	20F-79340-21	FLY WHEEL CP	1			
11	20F-79430-21	IGNITION COIL CP	1			
30	20F-17062-50	BOLT & WASHER AY	2			
60	20F-00004-81	SWITCH AY	1			
70	20F-00400-90	TAPPING SCREW	2			
75	056-60300-10	CLAMP	1			
100	065-01403-80	SPARK PLUG	1			
110	284-75102-03	SPARK PLUG CAP	1			



Ref #	Part #	Description	Qty	Context	Note	Foot Note
10	20F-90307-10	ACCESSORY TOOL KIT	1			