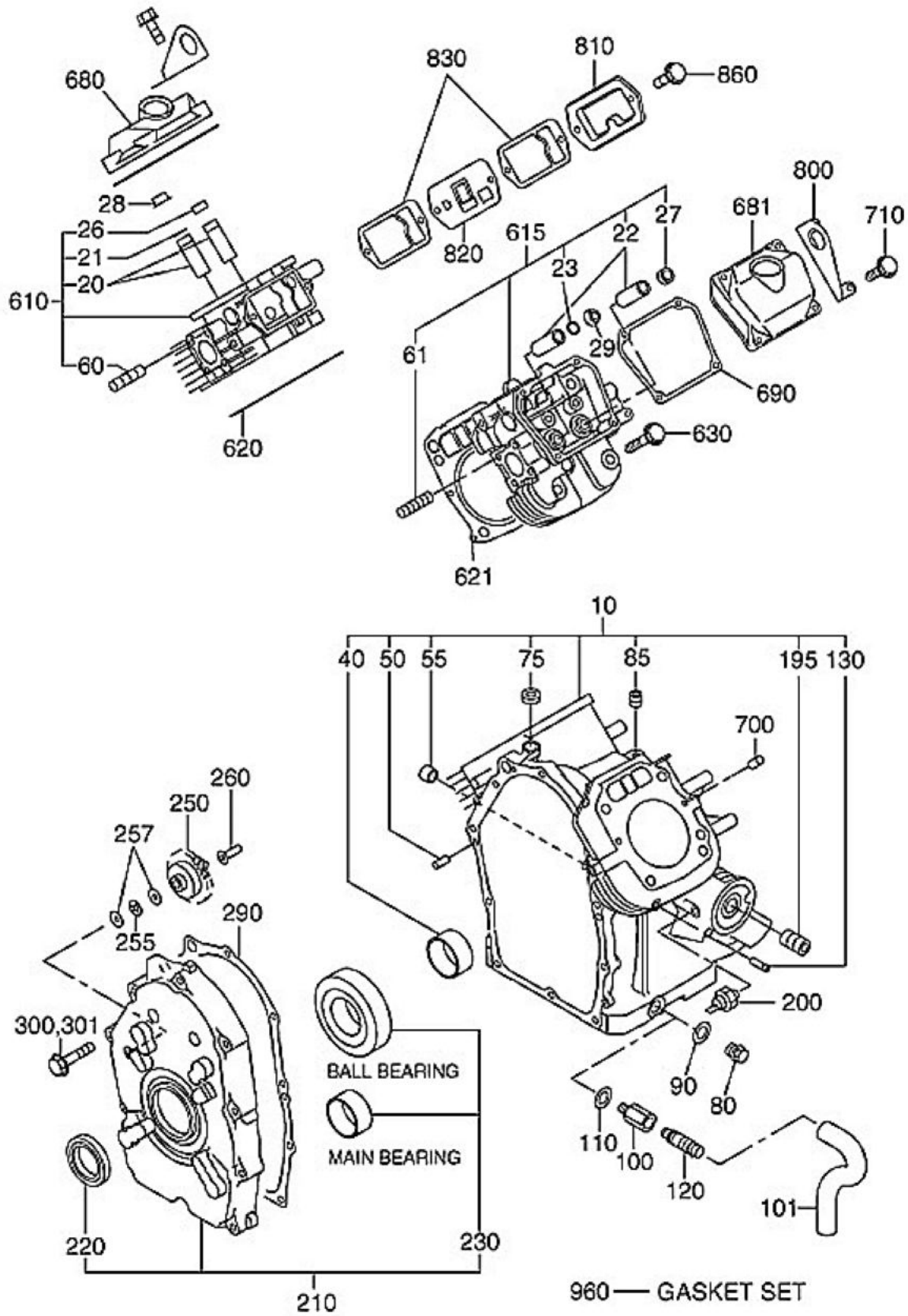


FIG. 101



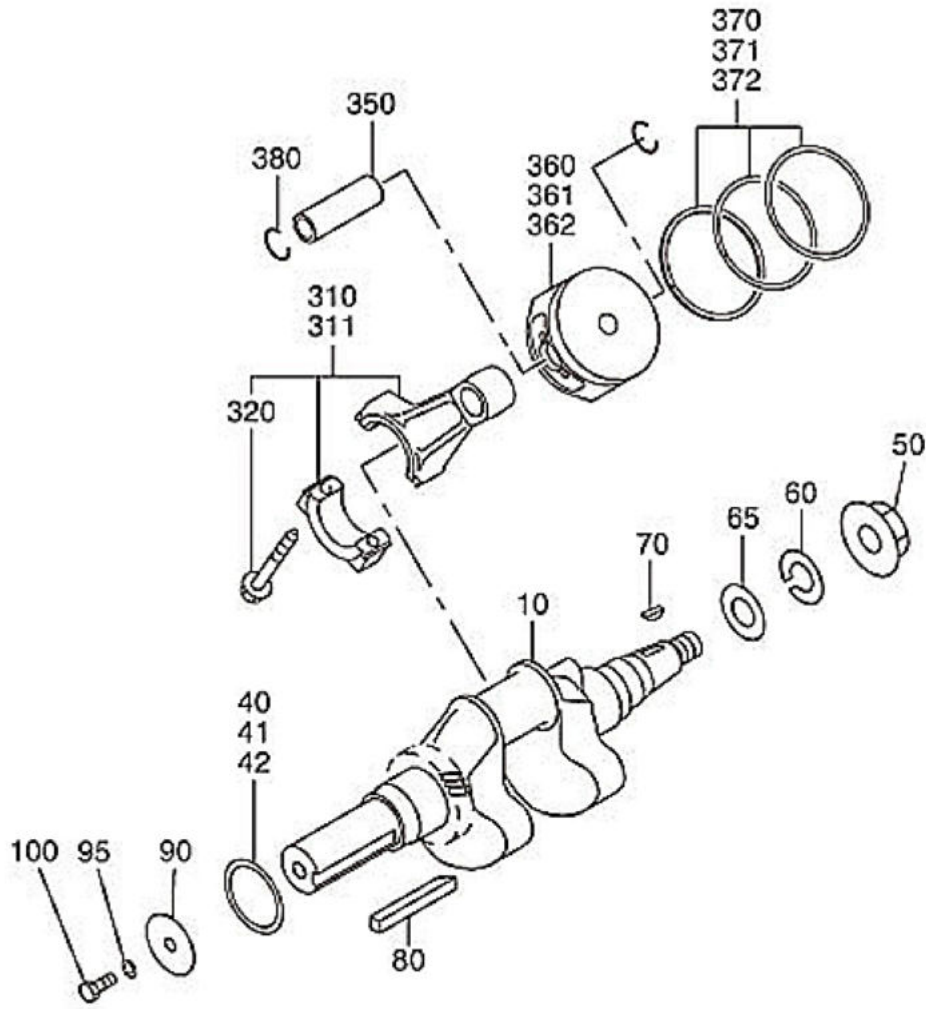
EH65/64/63

263010001W00

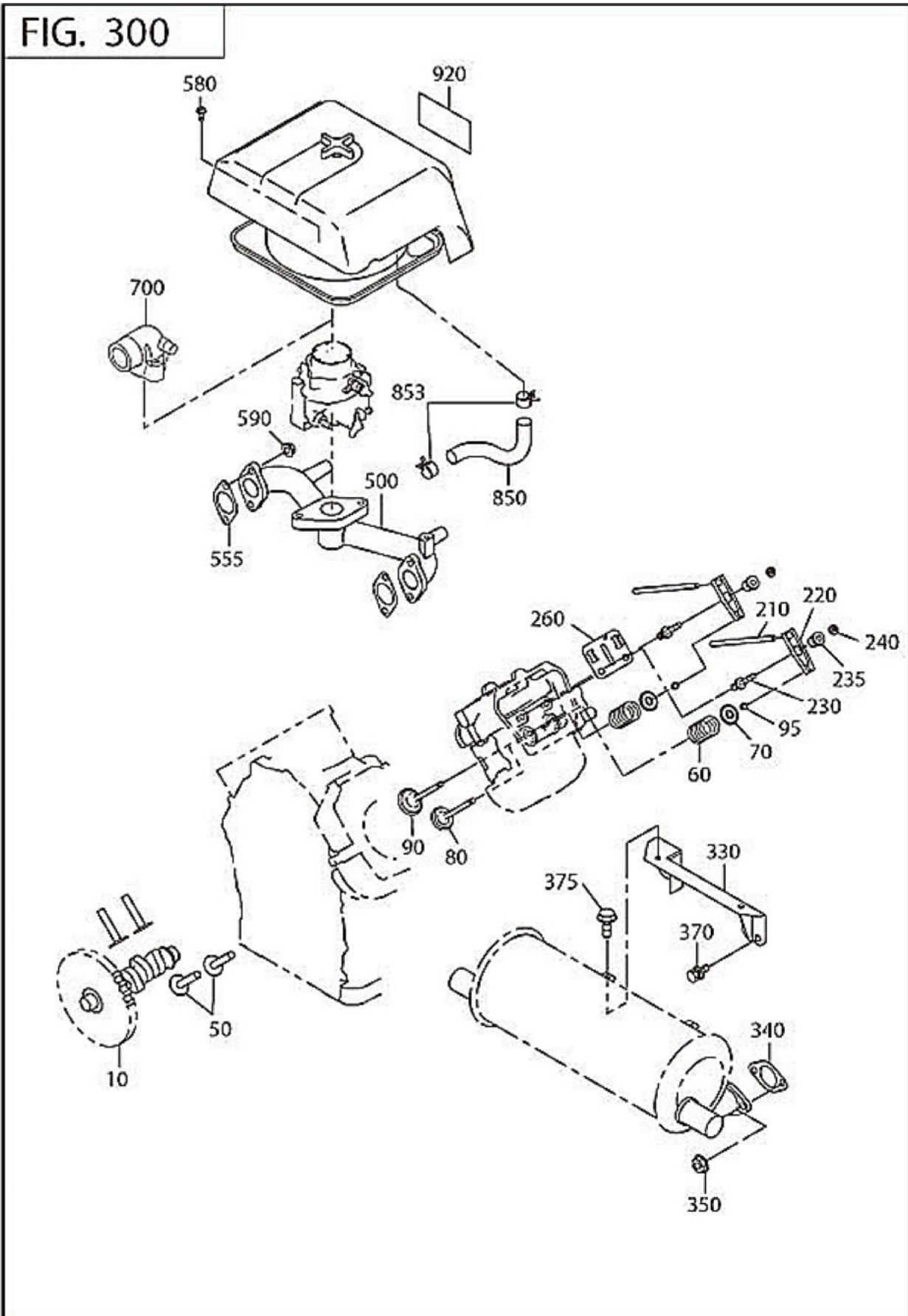
Ref #	Part #	Description	Qty	Context Note	Foot Note
10	263-10111-00	CRANKCASE CP	1		
20	263-14211-03	VALVE GUIDE	2		
21	056-51000-50	CLIP	1		
22	263-14211-03	VALVE GUIDE	2		
23	056-51000-50	CLIP	1		
26	132-07AA0-50	INTAKE VALVE SEAL	1		
27	132-07AA0-50	INTAKE VALVE SEAL	1		
28	263-35341-03	RETAINER PLATE	1		
29	263-35341-03	RETAINER PLATE	1		
40	263-15802-03	MAIN BEARING	1		
50	031-00801-00	DOWEL PIN	2		
55	263-55601-03	PIPE	2		
60	010-50802-90	STUD	4	M8X1.25X30	
61	010-50802-90	STUD	4	M8X1.25X30	
75	044-00800-10	OIL SEAL	1		
80	040-11400-30	PLUG	2		
85	235-15421-03	BLIND PLUG	1		
90	021-11400-20	GASKET	2		
130	159-65401-03	PIPE(PULSE)	1		
195	263-15901-03	UNION	1		
200	248-76301-01	SWITCH OIL PRESSURE	1		
210	263-11001-51	MAINBEARING COVER CP	1		
220	044-04200-30	OIL SEAL	1		
230	X60-04500-20	BALL BEARING	1		
250	263-45003-01	GOVERNOR GEAR CP	1		
255	263-46215-A3	THRUST BEARING	1		
257	263-46214-A3	WASHER	2		
260	277-41901-03	GOVERNOR SLEEVE	1		
290	263-16002-A3	GASKET (M.B COVER)	1		
300	011-00802-20	FLANGE BOLT	10		
610	263-13211-01	CYLINDER HEAD 1 CP	1		
615	263-13311-01	CYLINDER HEAD 2 CP	1		
620	263-15021-41	CYLINDER HEAD GASKET 1	1		
621	263-15121-31	CYLINDER HEAD GASKET 2	1		
630	011-01000-70	FLANGE BOLT	8		
680	263-15505-03	ROCKER COVER	1		
681	263-15503-03	ROCKER COVER	1		
690	263-16101-A3	GASKET(ROCKER COVER)	2		
700	031-00600-20	DOWEL PIN	4		

710	011-00601-01	FLANGE BOLT	8	
800	280-19001-A3	HOOK	2	
810	263-14301-03	BREATHER COVER	1	
820	280-14401-A1	BREATHER PLATE CP	1	
830	263-16006-03	GASKET(BREATHERPLATE	2	
860	011-00600-30	FLANGE BOLT	2	M6X1.0X14
960	263-99001-27	GASKET SET	1	

FIG. 200



Ref #	Part #	Description	Qty	Context Note	Foot Note
10	263-2111-11	CRANKSHAFT CP	1	Start Date: 5/21/2004 0:00:00. Start Date: 12/31/9999 0:00:00. Remarks: L=378 35DX80L.	
40	263-25012-A3	SPACER	1	Start Date: 5/21/2004 0:00:00. Start Date: 12/31/9999 0:00:00. Remarks: 45.3DX58DX0.8T.	
41	263-25013-A3	SPACER	1	Start Date: 5/21/2004 0:00:00. Start Date: 12/31/9999 0:00:00. Remarks: 45.3DX58DX1.0T.	
42	263-25014-A3	SPACER	1	Start Date: 5/21/2004 0:00:00. Start Date: 12/31/9999 0:00:00. Remarks: 45.3DX58DX1.2T.	
50	018-01800-10	FLANGE NUT (M18)	1		
65	003-10180-00	WASHER	1	Start Code: 6757. Start Date: 7/1/2005 0:00:00. Start Date: 12/31/9999 0:00:00. Remarks: 19DX32DX2.6T.	
70	005-32054-01	WOODRUFF KEY	1	Start Date: 5/21/2004 0:00:00. Start Date: 12/31/9999 0:00:00. Remarks: 5BX7.5HX19D.	
310	263-22601-30	CONNECTING ROD AY	2	Start Code: 6727. Start Date: 6/1/2005 0:00:00. Start Date: 12/31/9999 0:00:00. Remarks: 117CDX30B 39D-21D.	
320	001-05084-00	FLANGE BOLT	2	M8X1.25X40	
350	263-23301-23	PISTON PIN	2	Start Code: 6666. Start Date: 4/1/2005 0:00:00. Start Date: 12/31/9999 0:00:00. Remarks: 21DX15DX64.2L.	
360	263-23401-03	PISTON	2	Start Date: 5/21/2004 0:00:00. Start Date: 12/31/9999 0:00:00. Remarks: STD (80DX55H).	
361	263-23402-03	PISTON	2	Start Date: 5/21/2004 0:00:00. Start Date: 12/31/9999 0:00:00. Remarks: 0.25 O.S. (80DX55H).	
362	263-23403-03	PISTON	2	Start Date: 5/21/2004 0:00:00. Start Date: 12/31/9999 0:00:00. Remarks: 0.50 O.S. (80DX55H).	
370	263-23501-17	PISTON RING SET	2	STANDARD	
371	263-23502-17	PISTON RING SET	2	0.25 OVERSIZED	
372	263-23503-17	PISTON RING SET	2	0.50 OVERSIZED	
380	056-52100-20	CLIP	4	Start Date: 5/21/2004 0:00:00. Start Date: 12/31/9999 0:00:00. Remarks: 22.1DX1.4D.	

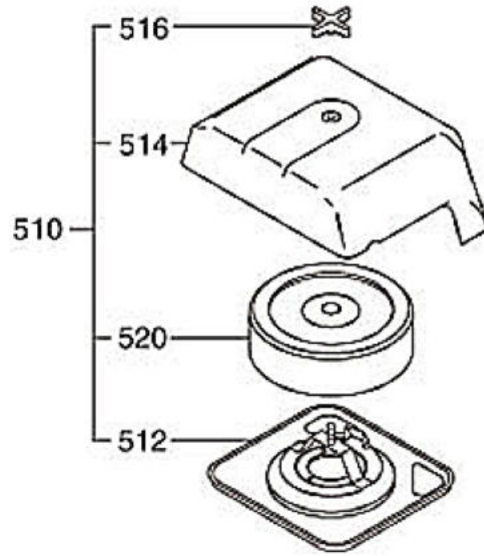


EH65/64/63

263030000W02

Ref #	Part #	Description	Qty	Context Note	Foot Note
10	280-31701-13	CAM SHAFT	1		
50	263-33301-A3	TAPPET	4		
60	246-33611-03	VALVE SPRING	4		
70	246-33711-13	SPRING RETAINER	4		
80	263-33401-03	INTAKE VALVE	2		
90	263-33502-13	EXHAUST VALVE	2		
95	246-35501-03	VALVE COLLET	8		
210	263-35321-B1	PUSH ROD CP	4		
220	267-36102-03	ROCKER ARM	4		
230	261-35801-13	BOLT(PIVOT)	4		
235	267-35701-03	PIVOT	4		
240	017-00601-10	NUT	4		
260	263-37001-A3	GUIDE PLATE	2		
330	263-37001-H1	BRACKET(MUFFLER)	1		
340	270-35201-01	GASKET CP (MUFFLER)	2		
350	018-00800-10	NUT (M8)	4		
370	001-14082-00	BOLT AND WASHER AY	2		
375	011-00600-30	FLANGE BOLT	4	M6X1.0X14	
500	280-33001-C3	INTAKE MANIFOLD	1		
555	263-35503-A3	GASKET(IN MANIFOLD)	2		
580	011-00600-20	FLANGE BOLT	3	M6X1.0X12	
590	002-38080-00	FLANGE NUT	4	M8X1.25	
850	263-18003-03	RUBBER PIPE	1		
853	056-12000-20	HOSE CLAMP	2		
920	263-91722-03	LABEL(TRADE MARK)	1		

FIG. 315

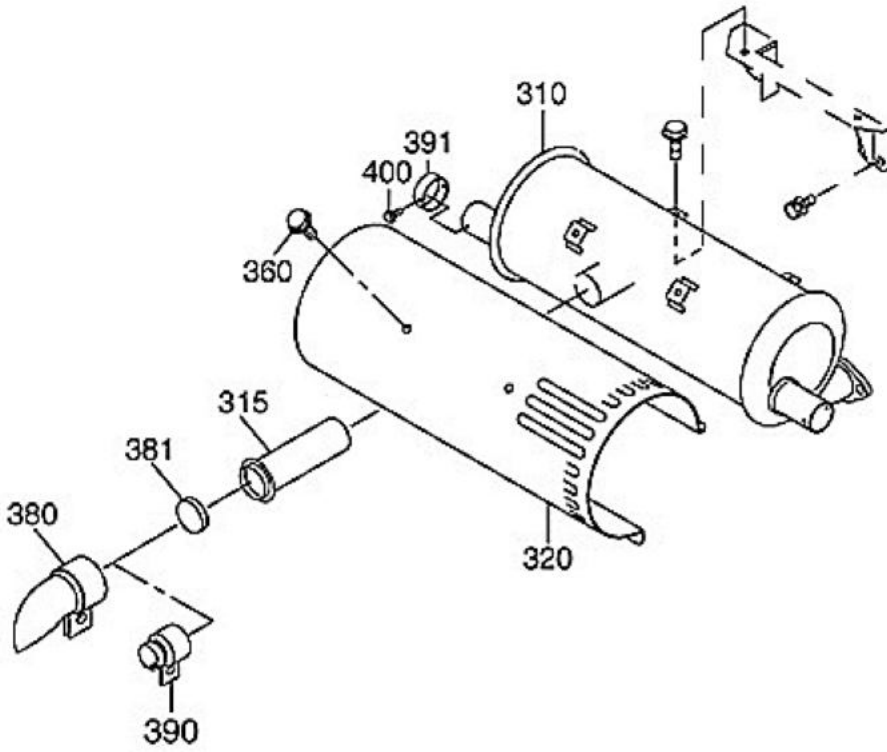


EH65/64/63

263031500W01

Ref #	Part #	Description	Qty	Context Note	Foot Note
510	280-32602-00	AIR CLEANER AY	1		
512	280-32625-01	CLEANER BASE CP	1		
514	263-32630-03	CLEANER COVER	1		
516	263-32640-01	WING NUT	1		
520	263-32610-A1	CLEANER ELEMENT CP	1		

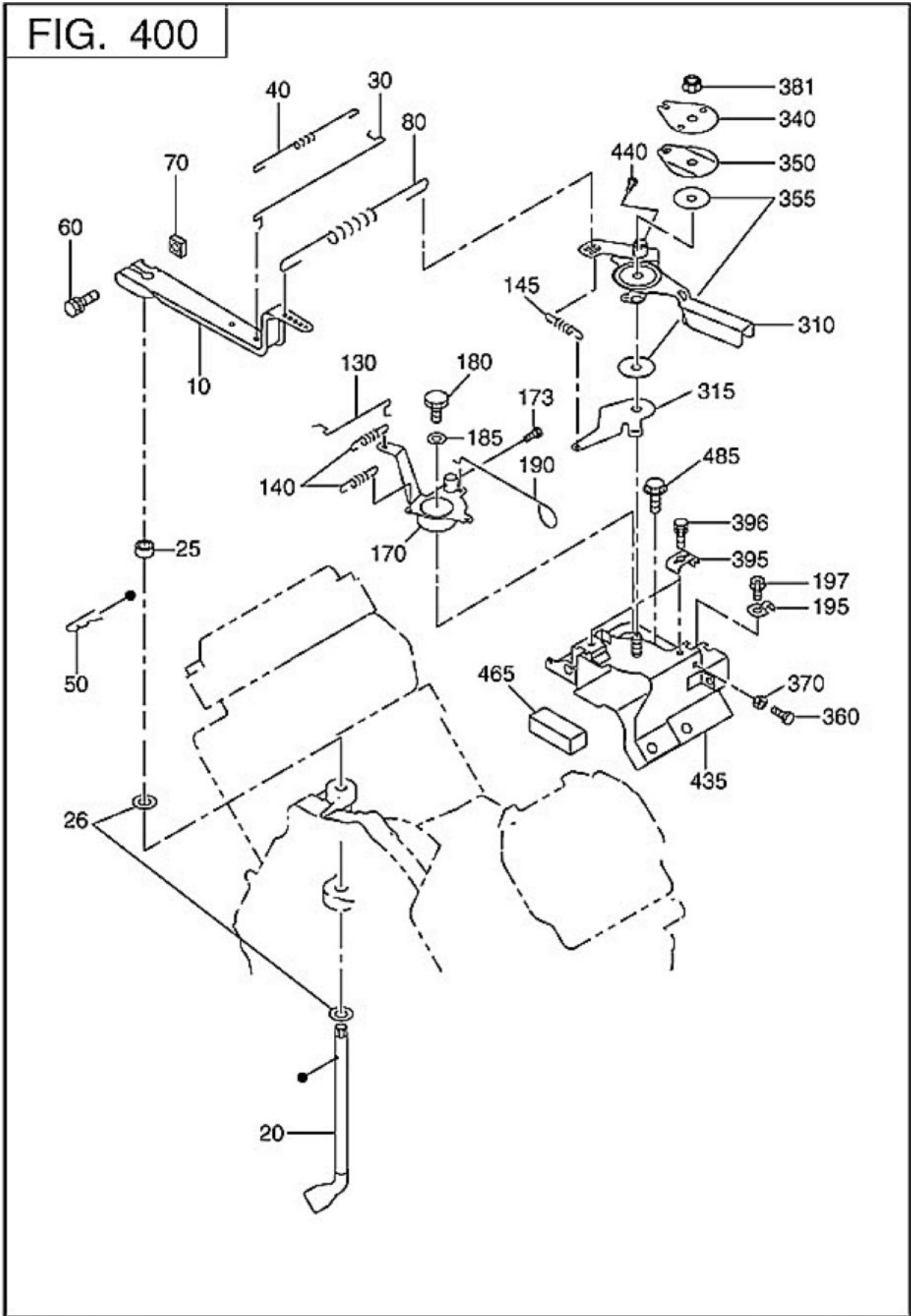
FIG. 330



EH65/64/63

263033001W00

Ref #	Part #	Description	Qty	Context Note	Foot Note
310	263-30101-H1	MUFFLER CP	1		
320	263-34201-H1	COVER(MUFFLER)	1		
360	011-00600-10	FLANGE BOLT	2	M6X1.10X8	
391	263-37341-H1	EXHAUST OUTLET CAP	1		
400	015-00400-90	TAPPING SCREW	2	M4X12	

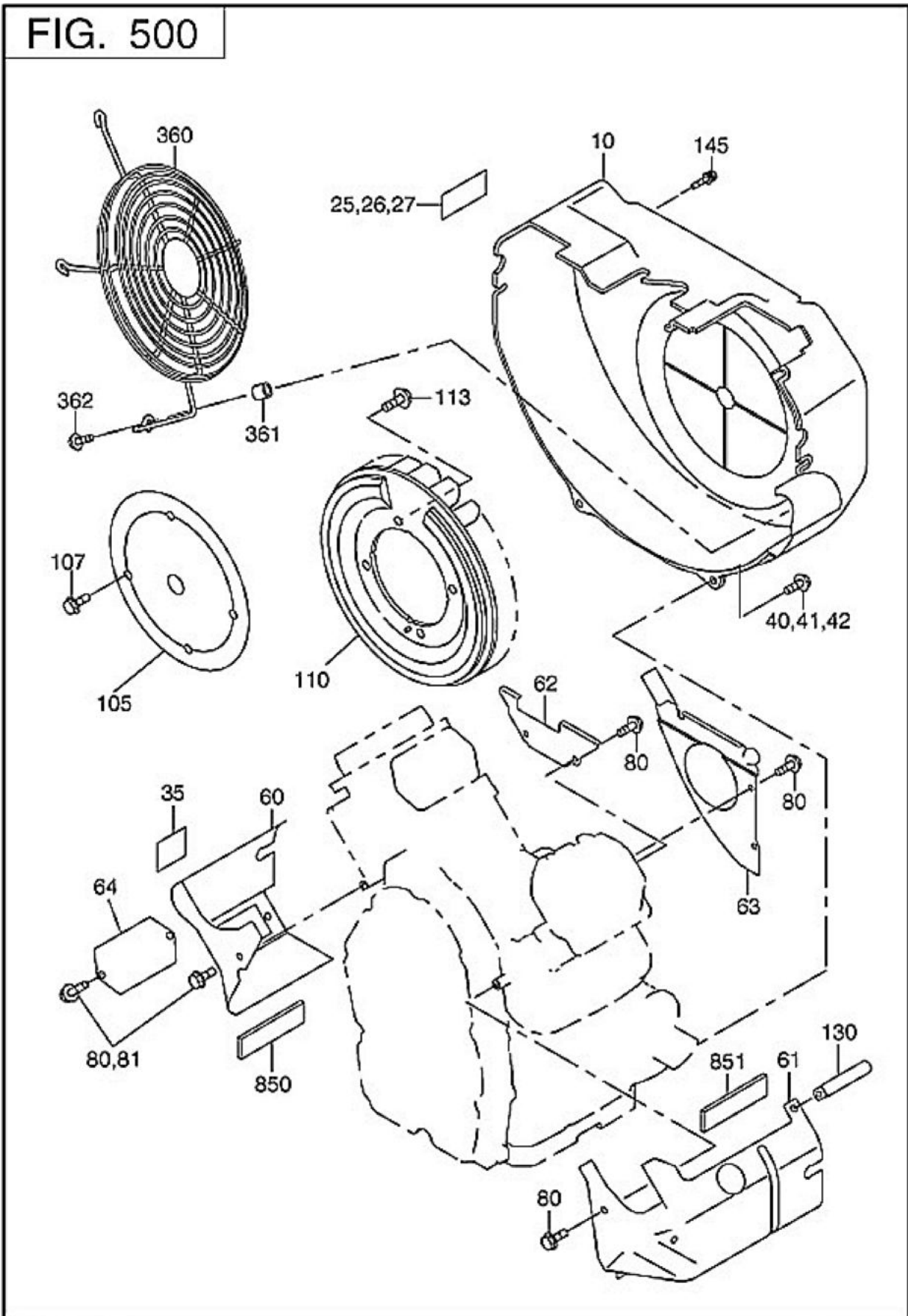


EH65/64/63

263040001W01

Ref #	Part #	Description	Qty	Context	Note	Foot	Note
10	263-42301-B3	GOVERNOR LEVER	1				
20	263-42201-A3	GOVERNOR SHAFT	1				
25	X23-00801-50	SPACER	1				
30	263-42701-A3	GOVERNOR ROD	1				
40	263-42801-03	ROD SPRING	1				
50	005-11060-01	SNAP PIN	1				
60	001-14063-00	BOLT & WASHER ASSY (M6X30)	1				
70	018-60600-20	SQUARE NUT	1	M6X1.0X4.9			
80	263-42503-03	GOVERNOR SPRING	1				
130	263-46011-A3	CHOKE CONTROL ROD	1				
140	261-45201-03	RETURN SPRING	2				
170	263-46001-03	CHOKE CONTROL LINKCP	1				
180	226-43101-01	LINK PIVOT CP	1				
185	003-22100-00	WAVED WASHER	1				
190	263-43901-A3	CHOKE KNOB	1				
195	263-46010-03	CLAMP(CHOKE KNOB)	1				
197	015-20500-10	TAPPING SCREW	1				
310	263-43301-A3	SPEED CONTROL LEV CP	1				
340	227-43501-13	STOP PLATE	1				
350	263-45002-03	SPRING WASHER	1				
355	021-70600-30	FRICTION WASHER	2				
360	011-50500-20	BOLT	1				
370	002-27050-00	NUT	1				
381	017-60600-20	SELF LOCK NUT	1				
395	261-43901-03	CLAMP	2				
396	001-17052-00	BOLT & WASHER AY	2				
435	263-45011-A2	BRACKET UN(SPD CTL)	1				
440	004-31040-80	SCREW(M4X8)	1				

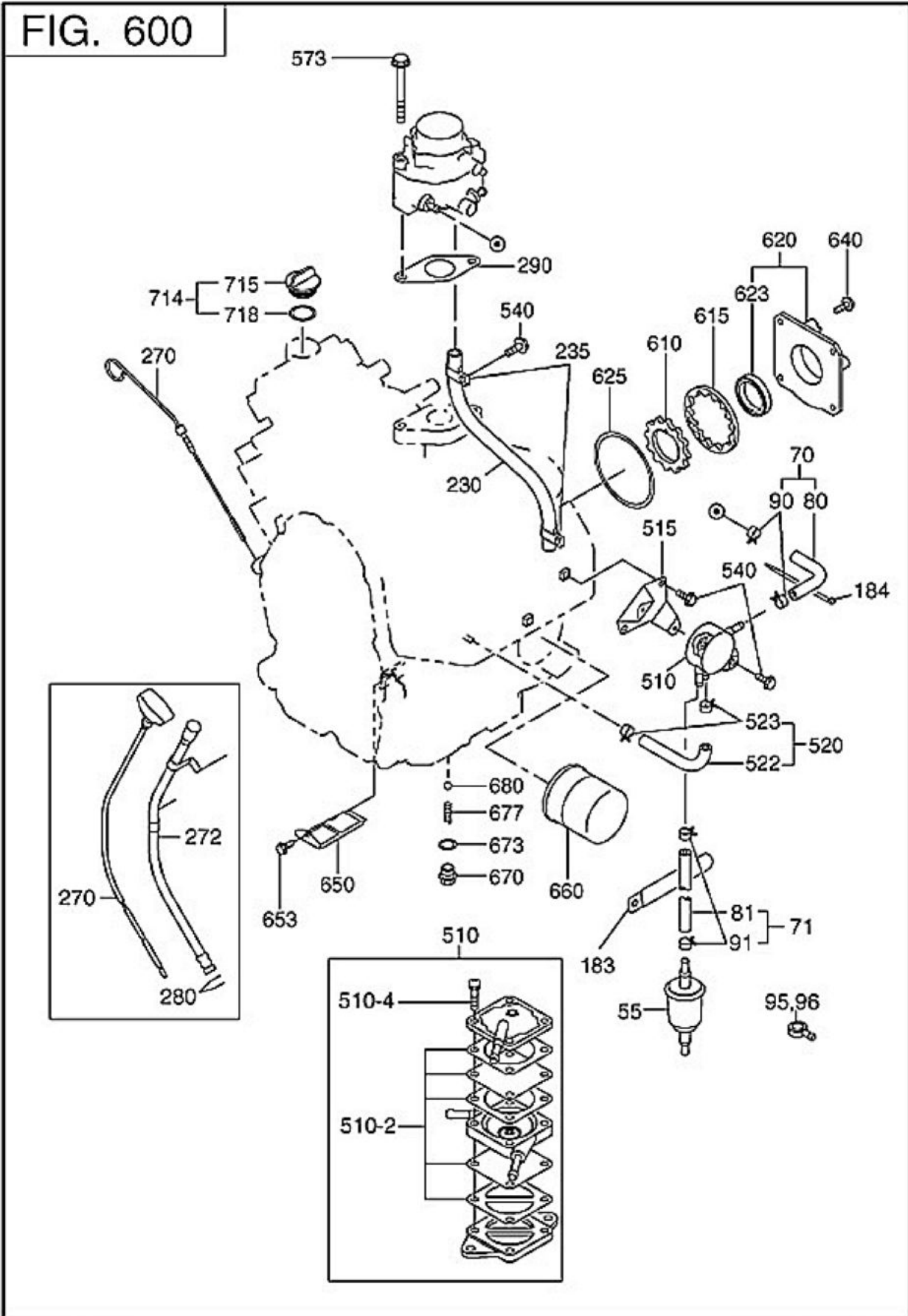
FIG. 500



EH65/64/63

263050001W00

Ref #	Part #	Description	Qty	Context Note	Foot Note
10	263-51121-B2	BLOWER HOUSING UN	1		
25	073-20049-80	LABEL(CAUTION)	1		
35	263-91802-03	LABEL(ENGINE NAME)	1		
40	011-00600-30	FLANGE BOLT	8	M6X1.0X14	
60	263-52612-A1	CYLINDER BAFFLE 1 CP	1		
61	263-52704-A1	CYLINDER BAFFLE 2 CP	1		
62	263-52801-03	CYLINDER BAFFLE 3	1		
63	263-52912-A2	CYLINDER BAFFLE 4 UN	1		
80	011-00600-20	FLANGE BOLT	8	M6X1.0X12	
110	263-54101-A2	COOLING BLOWER UN	1		
113	001-14061-60	BOLT & WASHER ASSY (M6X16)	4		

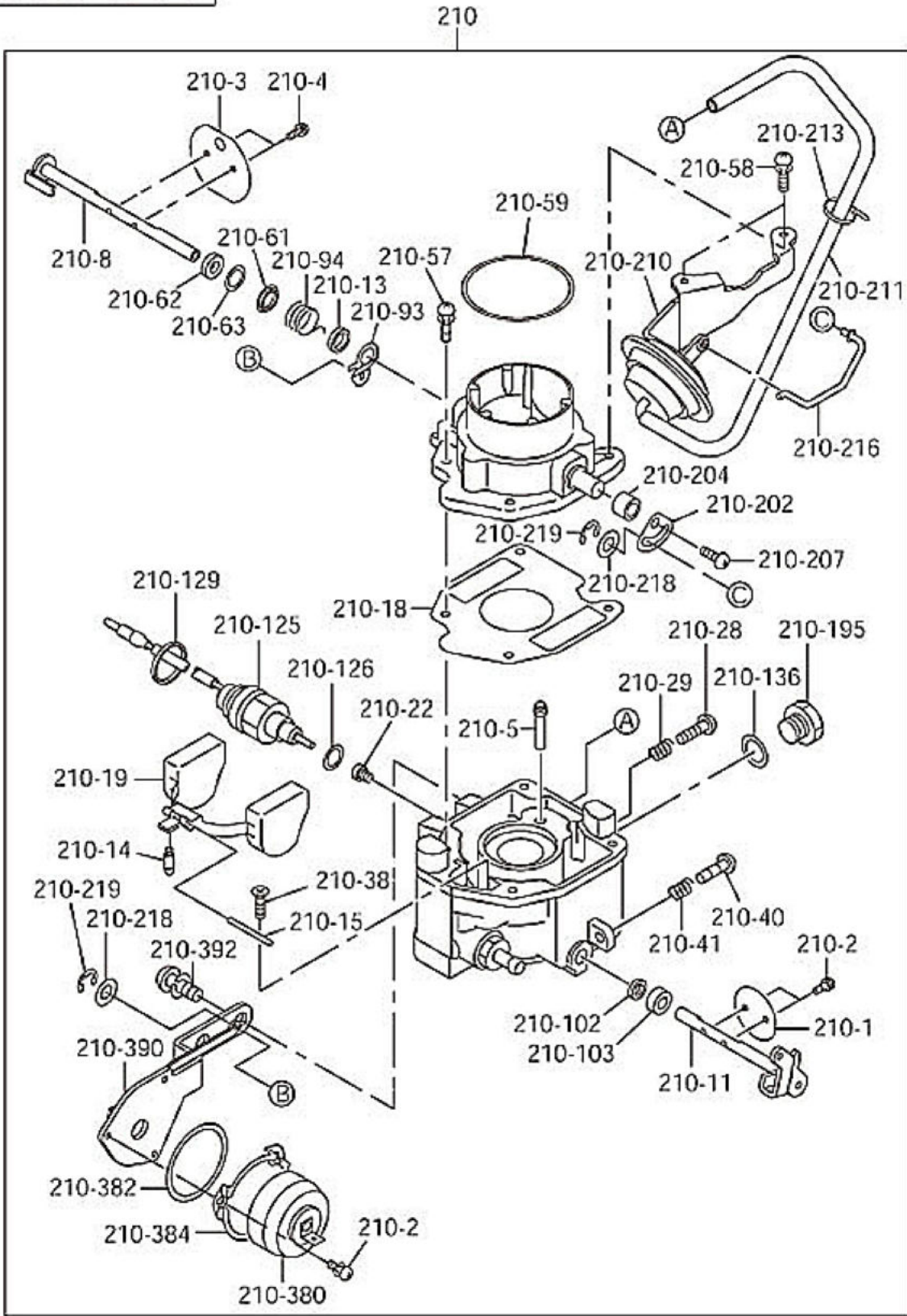


EH65/64/63

263060001W00

Ref #	Part #	Description	Qty	Context Note	Foot Note
55	263-65012-A3	FILTER,FUEL	1		
80	263-68006-B3	RUBBER PIPE	1		
81	263-68007-B3	RUBBER PIPE	1		
90	263-68501-03	HOSE CLAMP	2		
91	263-68501-03	HOSE CLAMP	2		
183	056-61000-21	CLAMP	1		
230	085-10301-10	RUBBER PIPE	1		
235	206-75501-01	CLAMP CP	2		
270	263-63603-01	OIL GAUGE CP	1		
290	263-66201-A3	GASKET(CARBURETOR)	1		
510	267-62201-10	FUEL PUMP AY	1		
515	263-65002-A3	BRACKET(FUEL PUMP)	1		
520	263-62653-B1	PULSE PIPE CP	1		
522	263-68008-B3	RUBBER PIPE	1		
523	263-68501-03	HOSE CLAMP	2		
540	011-00600-20	FLANGE BOLT	5	M6X1.0X12	
573	011-00801-10	FLANGE BOLT	2		
610	263-63901-03	INNER ROTOR	1		
615	263-63902-03	OUTER ROTOR	1		
620	263-64001-11	OIL PUMP COVER CP	1		
623	044-03501-70	OIL SEAL	1		
625	X24-08900-30	O-RING	1		
640	011-00600-30	FLANGE BOLT	4	M6X1.0X14	
650	263-64302-02	OIL PUMP FILTER UN	1		
653	263-65011-A3	FLANGE BOLT	1		
660	248-65801-00	OIL FILTER AY	1		
670	263-65001-13	PLUG(OIL RELIEF)	1		
673	003-70140-00	GASKET,ALUMINUM	1		
677	263-66001-03	SPRING(RELIEF VALVE)	1		
680	006-90308-00	STEEL BALL	1		
715	280-63602-A1	OIL FILLER CAP CP	1		
718	263-64414-A3	O-RING	1		

FIG. 642



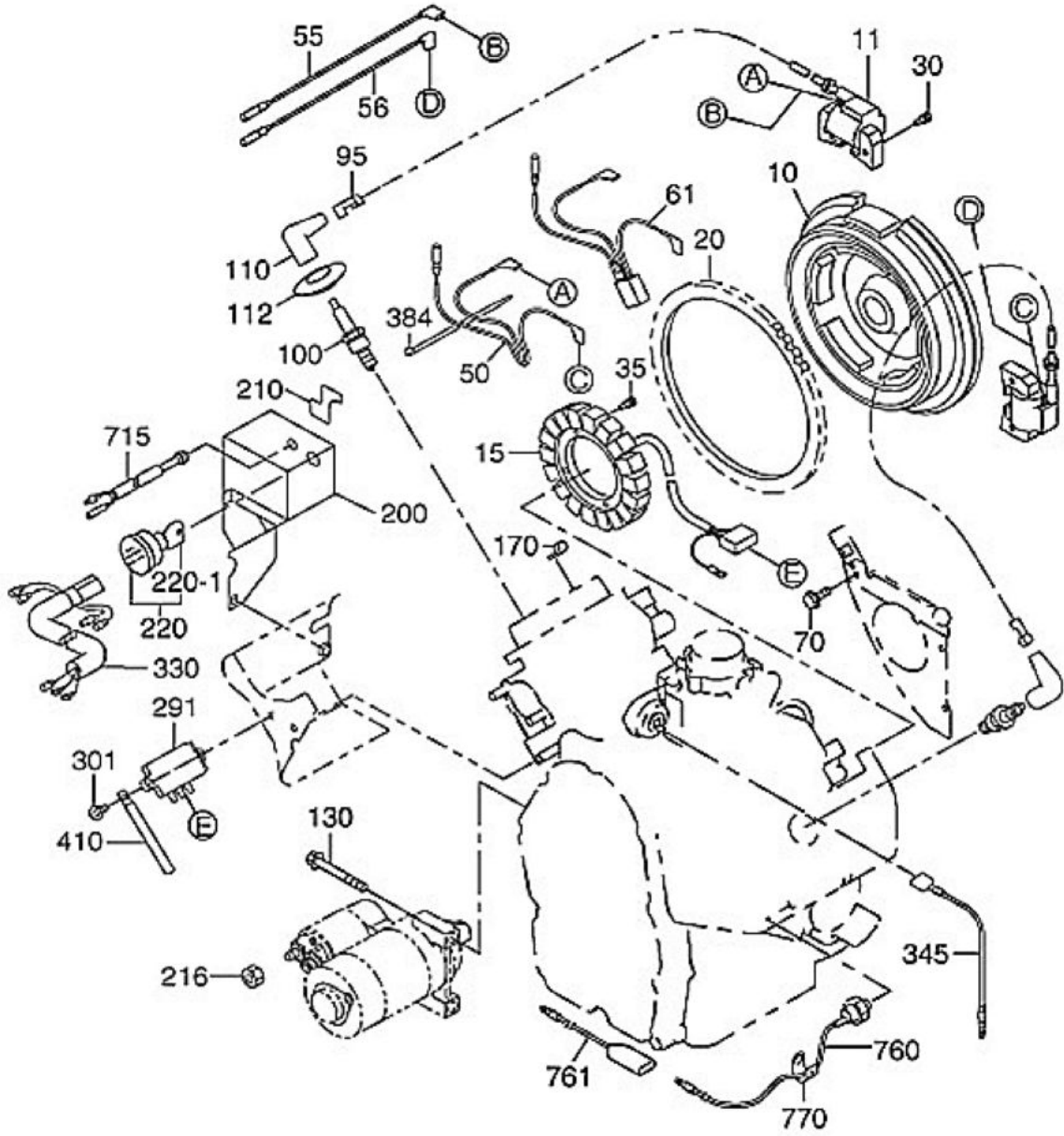
EH65/64/63

263064200W01

Ref #	Part #	Description	Qty	Context	Note	Foot	Note
210	263-62353-08	ROD,CHOKE PISTON	1				
210	263-62596-08	WASHER,ROD	2				
210	107-62377-08	E-RING,ROD	2				
210	107-62376-08	COVER ASSY,THERMO	1				
210	107-62373-08	GASKET,THERMO.CASE	1				
210	107-62375-08	PLAT,BIMETAL SET	1				
210	263-62562-08	HOLDER CP.BI-METAL	1				
210	226-62501-08	VALVE,FLOAT	1				
210	258-62515-08	FLOAT PIN	1				
210	280-62545-08	GASKET,AIR HORN	1				
210	280-62505-08	FLOAT	1				
210	263-62400-08	JET,MAIN	1				
210	215-62353-08	SCREW,DRAIN	1				
210	215-62446-08	SPRING,DRAIN	1				
210	258-62556-08	SCREW SET(FLOAT PIN)	1				
210	263-62451-08	SCREW,THRO.ADJUST	1				
210	258-62445-08	SPRING(ADJUST SCREW)	1				
210	258-62450-08	SCREW SET(AIR HORN)	2				
210	263-62584-08	SCREW,OPENER SET	2				
210	263-62560-08	O-RING	1				
210	280-62551-08	COLLAR,CHOKE	1				
210	258-62554-08	GASKET (FOAM)	1				
210	263-62527-08	LEVER ASSY,CHOKE	1				
210	263-62447-08	SPRING,CHOKE	1				
210	226-62580-08	GASKET (FELT)	1				
210	263-62481-10	CARBURETOR AY	1				
210	263-62535-08	VALVE,THROTTLE	1				
210	261-62352-08	SCREW,VALVE SET	5				
210	258-62525-08	CHOKE VALVE	1				
210	258-62555-08	SCREW SET(VALVE)	2				
210	258-62420-08	JET(SLOW)	1				
210	263-62523-08	SHAFT ASSY,CHOKE	1				
210	263-62534-08	SHAFT ASSY,THROTTLE	1				
210	258-62551-08	RING(CHOKE LEVER)	1				
210	258-62570-08	COLLAR(THRO.SHAFT)	1				
210	263-62556-08	VALVE CP,(SOLENOID)	1				
210	258-62546-08	GASKET,MAIN PASSAGE	1				
210	258-62566-08	CLAMP(SOLENOID)WIRE	1				
210	263-62555-08	GASKET	1				

210	263-62552-08	PLUG	1
210	263-62506-08	ARM,CHOKE	1
210	263-62591-08	FILTER,AIR	1
210	161-62345-08	SCREW,LEVER SET	1
210	263-62360-08	OPENER AY,CHOKE	1
210	263-62566-08	PIPE,RUBBER	1
210	263-62583-08	BINDER,CORD	1
210	263-62589-08	SCREW,HOLDER SET	2

FIG. 700

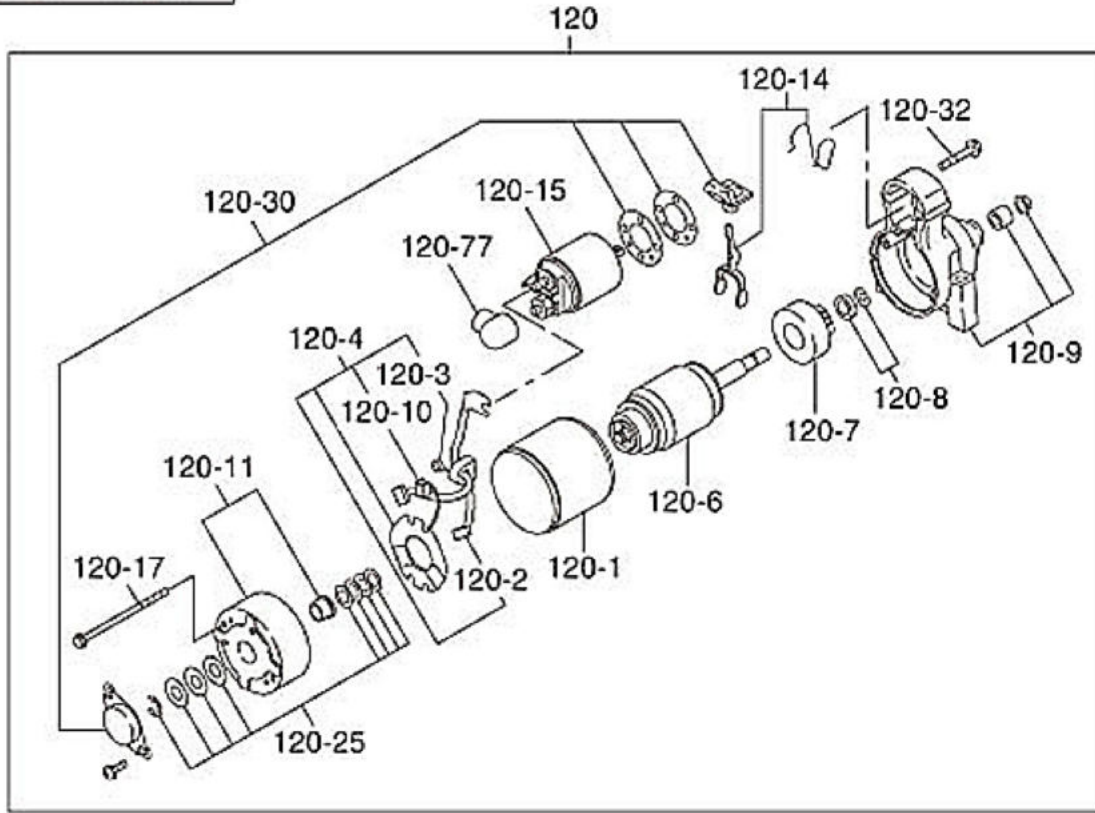


EH65/64/63

263070001W00

Ref #	Part #	Description	Qty	Context Note	Foot Note
10	263-77203-11	FLYWHEEL CP	1		
11	263-78203-01	IGNITION COIL CP	2		
15	263-79402-B1	CHARGE COIL CP	1		
20	263-71001-03	RING GEAR	1		
30	001-14062-50	BOLT AND WASHER ASSY	4	M6X1.0X25	
35	001-17052-00	BOLT & WASHER AY	4		
35	001-16052-50	BOLT AND WASHER AY	4		
50	263-73126-H1	WIRE CP(IG.COIL)	1		
95	065-90000-10	PLUG TERMINAL	2		
100	065-01402-80	SPARK PLUG	2		
110	X65-51000-10	SPARK PLUG CAP	2		
130	011-00801-00	FLANGE BOLT	2		
210	263-95001-A3	LABEL,CONTROL BOX	1		
216	002-38080-00	FLANGE NUT	1	M8X1.25	
291	263-71902-A1	REGULATOR CP	1		
301	011-00601-40	FLANGE BOLT	2		
330	263-73130-A1	WIRING HARNESS	1		
384	056-30000-10	WIRE BAND	3		
410	056-60002-50	CLAMP	1		
760	263-73102-11	WIRE AY(OIL PRE.SW.)	1		
770	206-75501-01	CLAMP CP	2		

FIG. 730

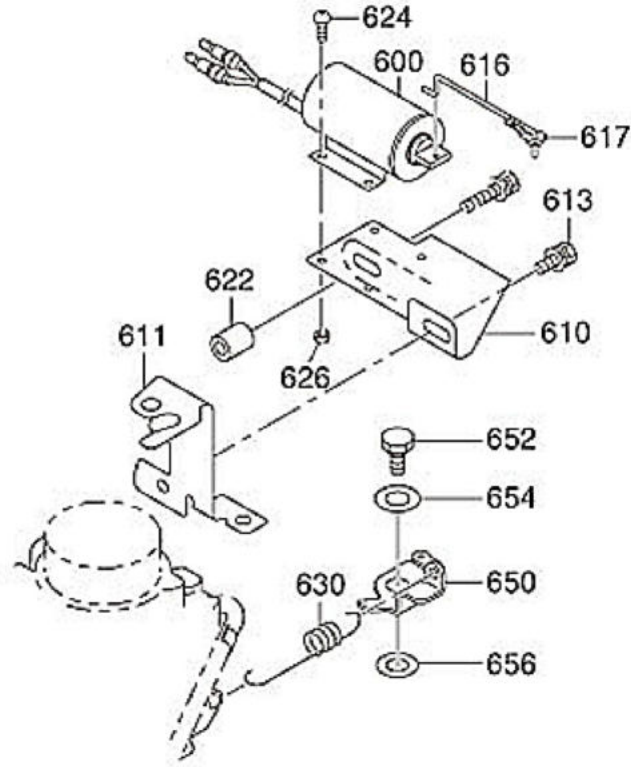


EH65/64/63

263073000W01

Ref #	Part #	Description	Qty	Context	Note	Foot	Note
120	263-70504-H0	STARTING MOTOR AY	1				
-15	263-70515-08	MAGNETIC SWITCH AY	1				

FIG. 760

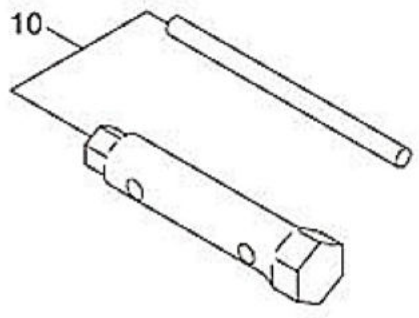


EH65/64/63

263076000W01

Ref #	Part #	Description	Qty	Context	Note	Foot Note
600	263-75301-01	SOLENOID CP	1			
610	280-75401-01	BRACKET 1 CP	1			
611	280-75402-11	BRACKET 2 CP	1			
613	001-14061-60	BOLT & WASHER ASSY (M6X16)	1			
616	263-75442-03	ROD	1			
617	235-44701-03	HOLDER (ROD)	1			
622	023-00603-50	SPACER	1			
624	014-00300-20	SCREW	4			
626	017-00300-10	NUT	4			
630	263-75462-03	SPRING	1			
650	280-75422-01	LINK 2 CP	1			
652	226-43101-01	LINK PIVOT CP	1			
654	021-71000-20	FRICTION WASHER	1			
656	263-46214-A3	WASHER	1			

FIG. 900



Ref #	Part #	Description	Qty	Context Note	Foot Note
10	227-90301-10	ACCESSORY TOOL KIT	1	Start Date: 5/21/2004 0:00:00. Start Date: 12/31/9999 0:00:00.	