

Introduction

This catalog is designed to identify **Wisconsin Robin** parts.

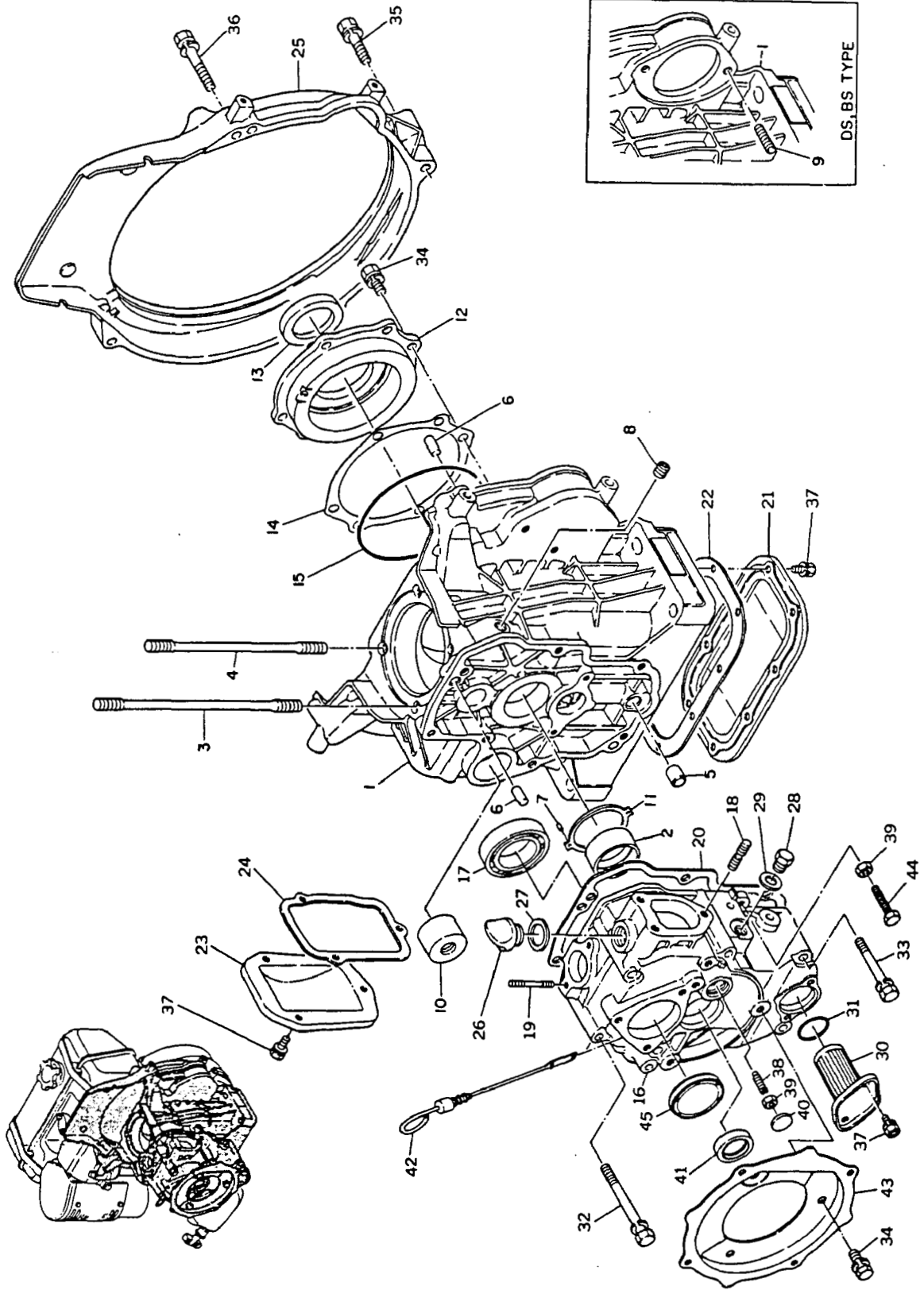
When ordering parts, it is always advisable to list the engine model, specification number and serial number. With this information, we can check your order for any incorrect part numbers. Use your Service Parts List to ensure proper part number and nomenclature identification.

TELEDYNE TOTAL POWER reserves the right to modify, alter and improve engines and parts. Part numbers and the structure of parts may change from those shown in this catalog.

Table of Contents

Crankcase	3-5
Cylinder and Cylinder Head	7
Crankshaft and Piston	9-11
Camshaft and Governor	13-15
Fuel Injection Pump Nozzle	17
Fuel Tank	19
Fuel Filter	21
Air Cleaner and Muffler	23
Electrical Equipment Control Box	25
Recoil Starter	27
Starter Motor	29
Reduction	31
Optional Equipment (Driving Shaft and Adapter)	33
Optional Equipment (Speed Control)	35
Optional Equipment (Muffler)	37

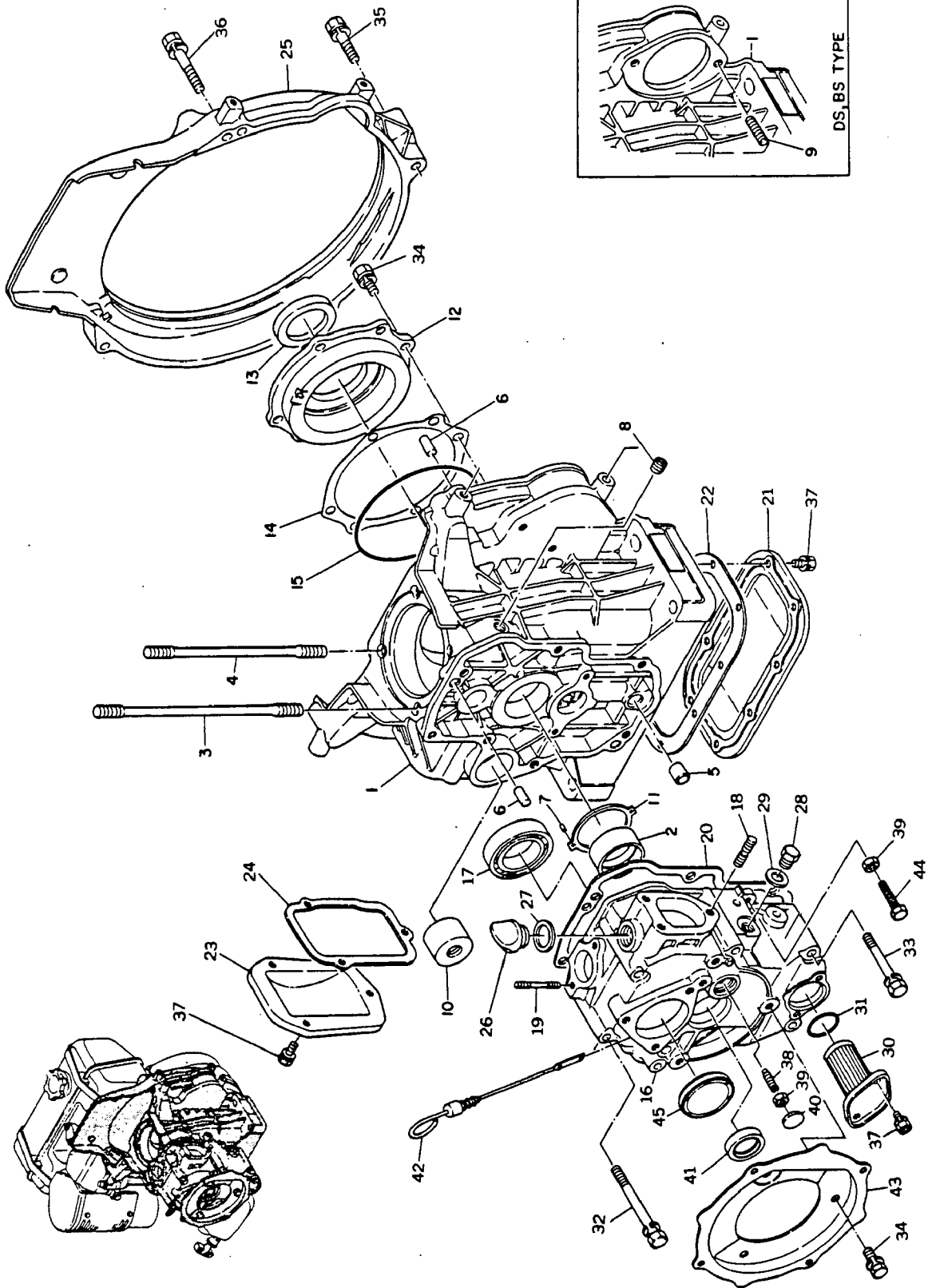
I. CRANK CASE



1. CRANKCASE

REF. NO.	PART NO.	DESCRIPTION	QTY.
1-1	EY2291011101	CRANKCASE COMPLETE (INCLUDES ITEMS 2-9)	1
2	EY2281580103	MAIN BEARING	1
	EY2281580203	MAIN BEARING UNDERSIZE, .010"(0.25 mm)	
	EY2281580303	MAIN BEARING UNDERSIZE, .020"(0.50 mm)	
3	EY2281600111	TENSION BOLT 1	2
4	EY2281600211	TENSION BOLT 2	2
5	EY2281500313	LOCATOR PIPE	1
6	EY0052608180	DOWEL PIN	4
7	EY0051925060	SPRING PIN	2
8	EY2121500813	BLIND PLUG	1
9	EY0105080044	STUD	2
10	EY2282500203	SLEEVE, BALANCER	1
11	EY2281500203	THRUST, BEARING	1
12	EY2281150111	BEARING HOUSING COMPLETE (Includes item 13)	1
13	EY0440400020	OIL SEAL	1
14	EY2281500403	GASKET BEARING HOUSING, 0.1	1
	EY2281500503	" " " , 0.2	
	EY2281500603	" " " , 0.3	
15	EY2281501403	O-RING, BEARING HOUSING	1
16	EY2281170111	GEAR CASE COVER COMPLETE (Includes items 17-19, 40 & 41)	1
17	EY0600350040	BALL BEARING	1
18	EY0013208351	STUD	3
19	EY0013206450	STUD	2
20	EY2281500703	GASKET, GEAR CASE COVER	1
21	EY2281160103	OIL PAN	1
22	EY2281500803	GASKET, OIL PAN	1
23	EY2282600101	BALANCER COVER	1
24	EY2282500103	GASKET, BALANCER COVER	1
25	EY2285110103	BLOWER HOUSING	1
26	EY2286500303	PLUG, OIL FILLER	1
27	EY0213200010	GASKET, OIL FILLER PLUG	1
28	EY0090212000	PLUG	1
29	EY0037012000	GASKET, PLUG (Aluminum)	1
30	EY2286430101	OIL FILTER, ASSY.	1
31	EY0240300010	O-RING	1
32	EY0011308850	BOLT AND WASHER ASSY.	4
33	EY0011308650	BOLT AND WASHER ASSY.	3
34	EY0011308200	BOLT AND WASHER ASSY.	9
35	EY0011308400	BOLT AND WASHER ASSY.	2
36	EY0011308550	BOLT AND WASHER ASSY.	2
37	EY9800506010	BOLT AND WASHER ASSY.	15
38	EY0149060070	ADJUSTING SCREW	1
39	EY0021806000	NUT	1
40	EY0410500011	BLIND PLATE	1
41	EY0440220050	OIL SEAL	1

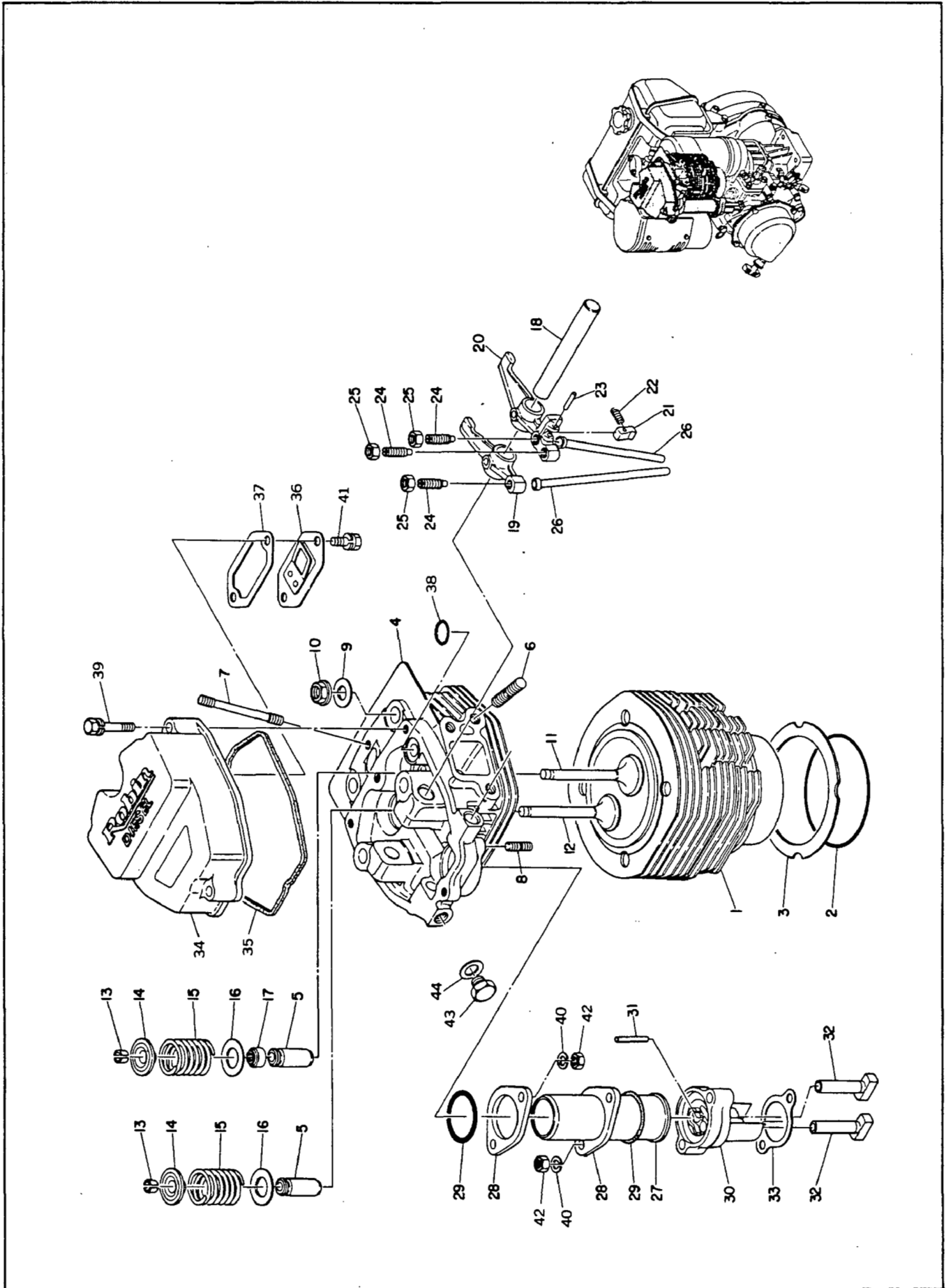
I. CRANK CASE



1. CRANKCASE (cont.)

REF. NO.	PART NO.	DESCRIPTION	QTY.
42	EY2286361001	OIL GAUGE COMPLETE	1
43	EY2285520102	RECOIL COVER UNIT	1
44	EY0016506350	BOLT	1
45	EY0411220010	BLIND PLUG	1
	EY2289900107	ENGINE GASKET SET	1
		Includes the following	
	-----	BEARING HOUSING GASKET (Ref. 14)	1
	-----	O-RING, BEARING HOUSING (Ref. 15)	1
	-----	GEAR CASE COVER GASKET (Ref. 20)	1
	-----	OIL PAN GASKET (Ref. 22)	1
	-----	BALANCER COVER GASKET (Ref. 24)	1
	-----	OIL FILLER PLUG GASKET (Ref. 27)	1
	-----	PLUG, GASKET (ALUMINUM) (Ref. 29)	1
	-----	TAPPET GUIDE GASKET (Pg.7, Ref. 33)	1
	-----	ROCKER COVER GASKET (Pg. 9, Ref. 43)	1
	-----	BREATHER PLATE GASKET (Pg.9, Ref.45)	1
		MUFFLER GASKET (Pg.25,Ref.13)	1

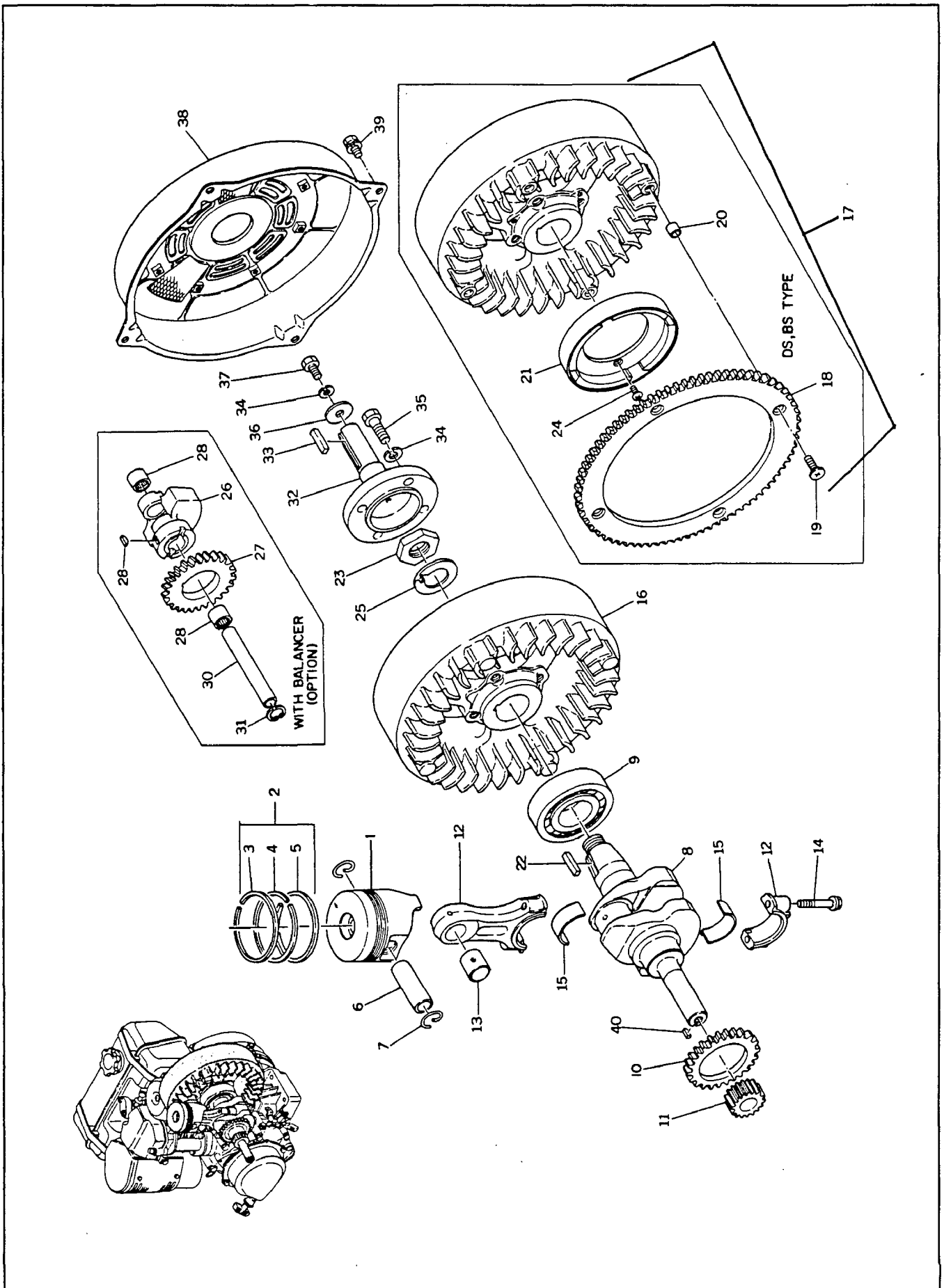
2. CYLINDER and CYLINDER HEAD



2. CYLINDER and CYLINDER HEAD

REF. NO.	PART NO.	DESCRIPTION	QTY.
2-1	EY2291240112	CYLINDER	1
2	EY2291501103	O-RING, CYLINDER	1
3	EY2291501213	SPACER, 0.1	1
	EY2291501313	SPACER, 0.2	1
4	EY2291311001	CYLINDER HEAD (INCLUDES ITEMS 5-8)	1
5	EY2281420203	VALVE GUIDE	2
6	EY0013708201	STUD	6
7	EY0105060150	STUD	2
8	EY0013106251	STUD	2
9	EY0200100081	WASHER	4
10	EY0180100011	FLANGE NUT	4
11	EY2283340113	INTAKE VALVE	1
12	EY2283350103	EXHAUST VALVE	1
13	EY2283380103	RETAINER LOCK	4
14	EY2283370103	SPRING RETAINER	2
15	EY2283360103	VALVE SPRING	2
16	EY0200150030	WASHER	2
17	EY2283500303	VALVE STEM SEAL	1
18	EY2283500403	ROCKER SHAFT	1
19	EY2283620101	EXHAUST ROCKER ARM COMPLETE (includes items 24 & 25)	1
20	EY2283610201	INTAKE ROCKER ARM (includes items 24 & 25)	1
21	EY2283500703	RATCHET PIN	1
22	EY2283500803	SPRING, RATCHET PIN	1
23	EY0051903162	DOWEL PIN	1
24	EY0149060080	ADJUSTING SCREW	2
25	EY0170060080	NUT	2
26	EY2283500503	PUSH ROD	2
27	EY2283560101	PUSH ROD SLEEVE	1
28	EY2283580101	PLATE, PUSH ROD	2
29	EY0240320020	O-RING	2
30	EY2283570113	TAPPET GUIDE	1
31	EY0051903282	SPRING PIN	1
32	EY2283330103	TAPPET	2
33	EY2283501303	GASKET, TAPPET GUIDE	1
34	EY2281700103	CYLINDER HEAD COVER	1
35	EY2281501003	ROCKER COVER GASKET	1
36	EY2281530101	BREATHER PLATE COMPLETE	1
37	EY2281500903	GASKET, BREATHER PLATE	1
38	EY0240130010	O-RING	1
39	EY0011306400	BOLT AND WASHER ASSY.	3
40	EY0032006000	LOCK WASHER	4
41	EY9800506010	BOLT AND WASHER ASSY.	2
42	EY0021806000	NUT	4
43	EY0090110000	FILLER	1
44	EY0037010000	GASKET, ALUMINUM	1

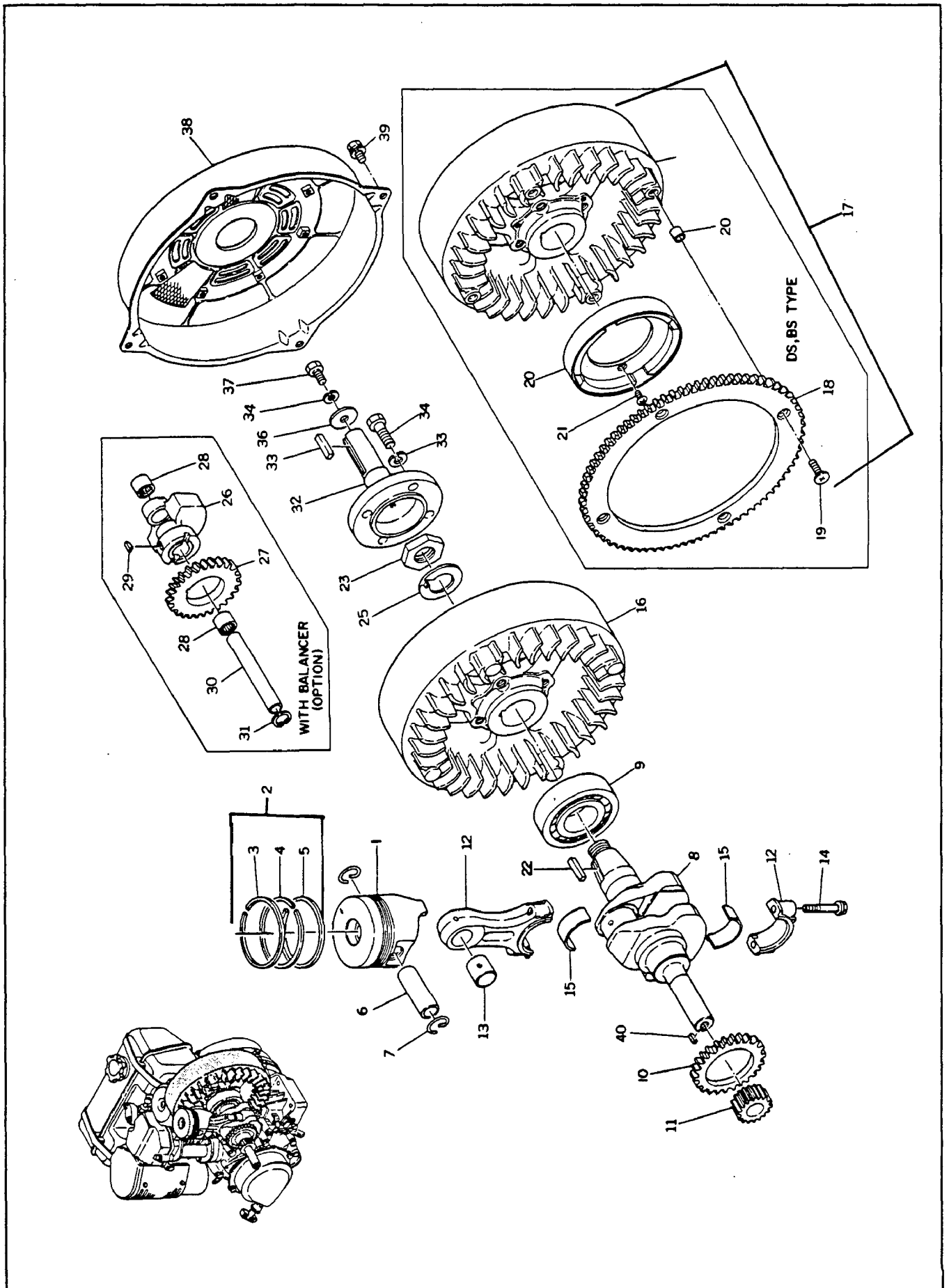
3. CRANKSHAFT and PISTON



3. CRANKSHAFT AND PISTON

REF. NO.	PART NO.	DESCRIPTION	QTY.
3-1	EY2292340133	PISTON, STANDARD SIZE	1
	EY2292340233	PISTON, .010" (.25 mm)OVERSIZE	
	EY2202340333	PISTON, .020" (.50 mm)OVERSIZE	
2	EY2292350117	PISTON RING SET, STANDARD SIZE (includes items 3-5)	1
	EY2292350217	PISTON RING SET, 0.010"(.25 mm) OVERSIZE (includes items 3-5)	
	EY2292350317	PISTON RING SET, 0.020"(.50 mm) OVERSIZE (includes items 3-5)	
3	- - - - -	TOP RING	
4	- - - - -	SECOND RING	
5	- - - - -	OIL RING	
6	EY2282330103	PISTON PIN	1
7	EY0565210010	CLIP	2
8	EY2282020211	CRANKSHAFT COMPLETE, STANDARD (includes items 9 & 10)	1
9	EY0600400030	BALL BEARING	1
10	EY2282230103	CRANKSHAFT GEAR	1
11	EY2282420103	BALANCER GEAR	1
12	EY2282250100	CONNECTING ROD ASSY. (includes item 13 & 14)	1
13	EY2282290113	SMALL END BUSHING	1
14	EY2282300103	CONNECTING ROD BOLT	2
15	EY2282280113	LARGE END BEARING, STANDARD	2
	EY2282280213	LARGE END BEARING, .010" (.25 mm) UNDERSIZE	
	EY2282280313	LARGE END BEARING, .020" (.50 mm) UNDERSIZE	
16	EY2282241003	FLYWHEEL COMPLETE	1
17	EY2282241101	FLYWHEEL COMPLETE (Includes items 18,19,& 20)	1
18	EY2287100103	RING GEAR	1
19	EY0041108250	SCREW	4
20	EY2282500303	LOCATOR PIPE	4
21	EY2287040108	- - - - -	
22	EY0053007201	KEY	1
23	EY0173260010	LOCK NUT	1
24	EY0041106100	SCREW	3
25	EY0205260012	LOCK WASHER	1
26	EY2282430101	BALANCER COMPLETE (Includes items 27-29)	1
27	EY2282420203	BALANCER GEAR 2	1
28	EY0610150010	NEEDLE BEARING	2
29	EY0053204201	WOODRUFF KEY	1
30	EY2282410103	BALANCER SHAFT	1
31	EY0031415000	SNAP RING	1
32	EY2282440103	DRIVING SHAFT	1
33	EY0053007351	KEY	1
34	EY0032010000	LOCK WASHER	5

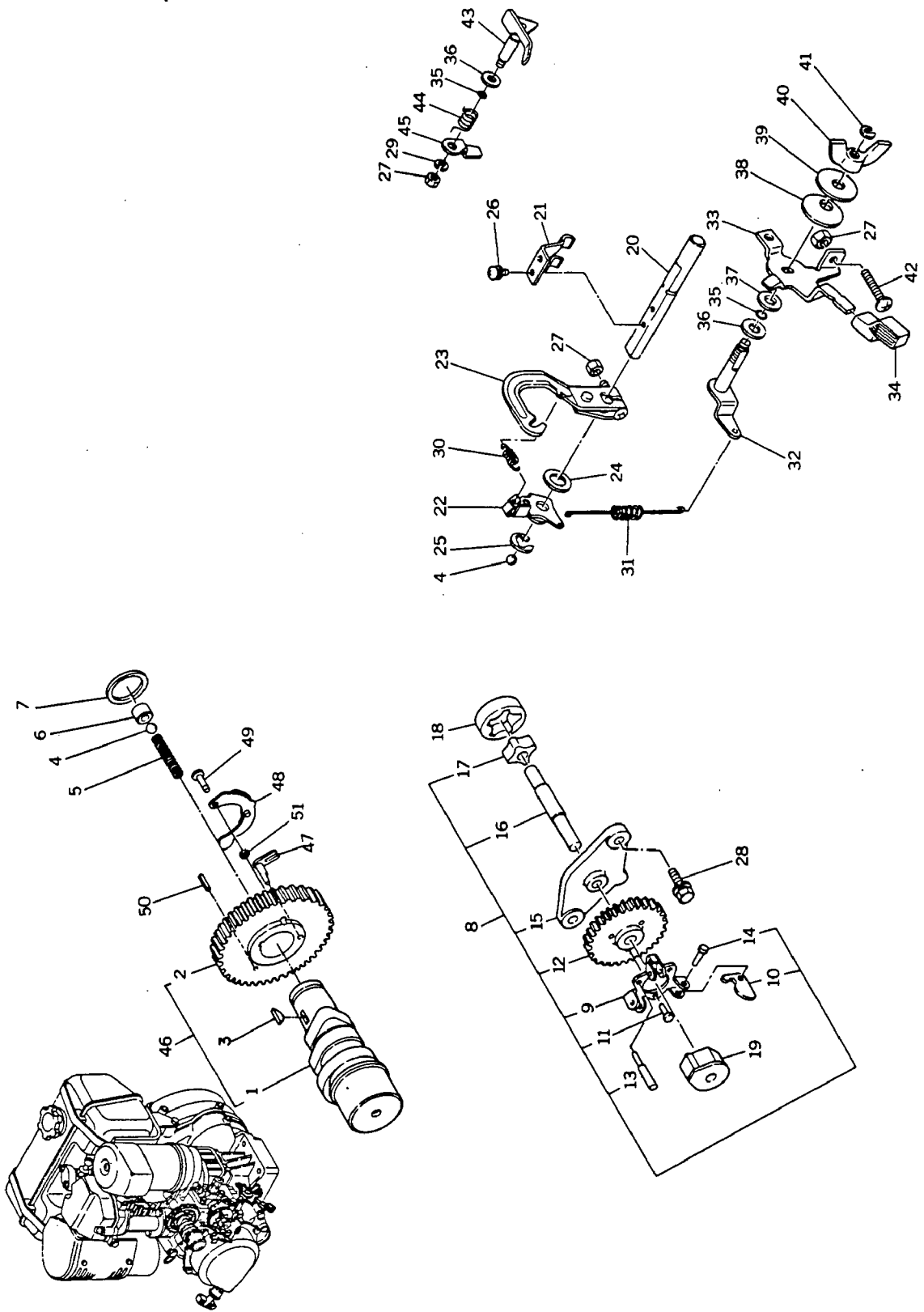
3. CRANKSHAFT and PISTON



3. CRANKSHAFT and PISTON

REF. NO.	PART NO.	DESCRIPTION	QTY.
35	EY0016710300	BOLT	4
36	EY0200100010	WASHER	1
37	EY0100100160	BOLT	1
38	EY2282550111	FLYWHEEL COVER COMPLETE	1
39	EY0011008160	BOLT AND WASHER ASSY.	4
40	EY0053004101	KEY	1

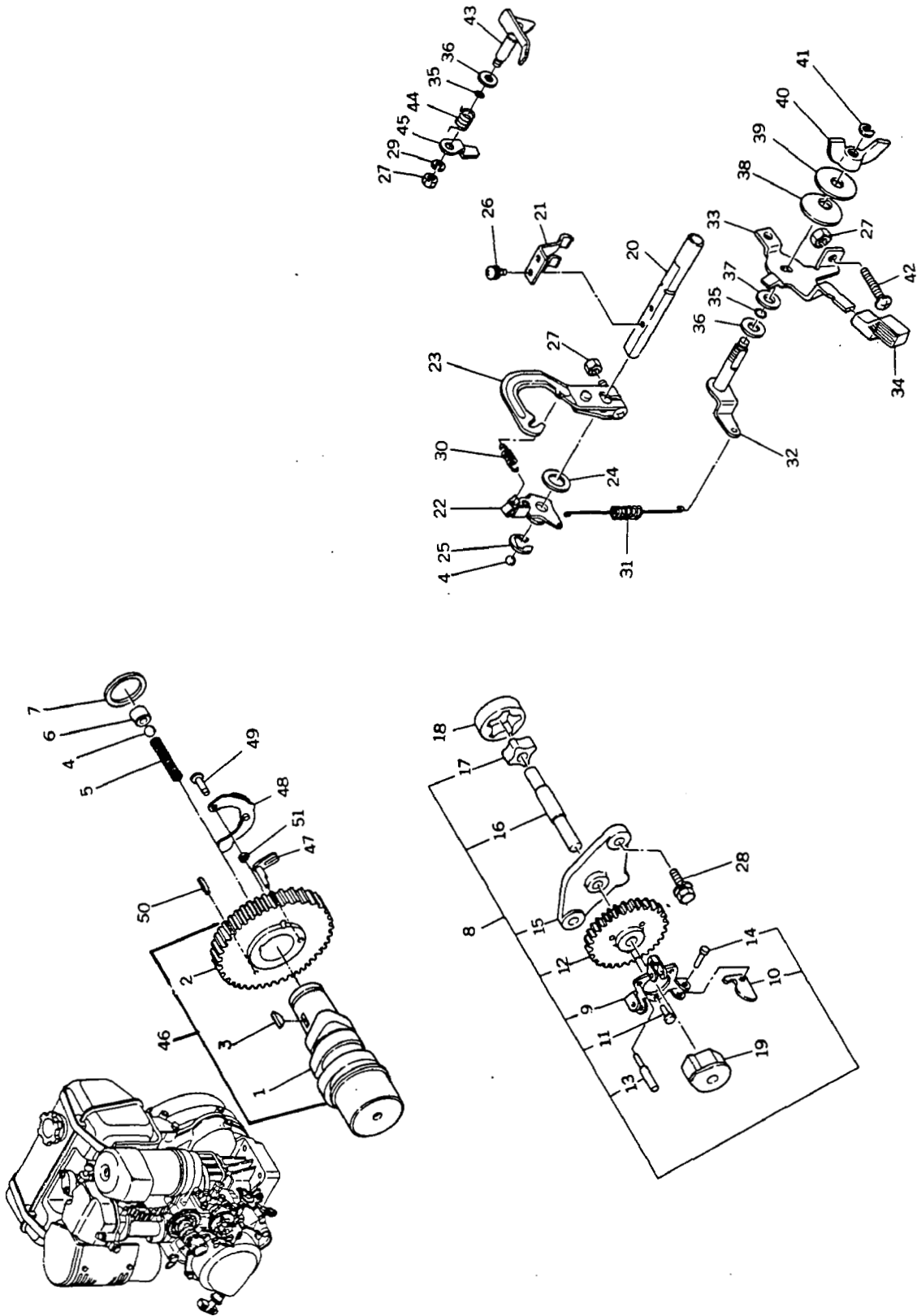
4. CAMSHAFT and GOVERNOR



4. CAMSHAFT and GOVERNOR

REF. NO.	PART NO.	DESCRIPTION	QTY.
4-1	EY2283160311	CAMSHAFT COMPLETE (Includes items 4-6)	1
2	EY2283322111	CAMSHAFT GEAR COMPLETE (includes items 47-51)	1
3	EY0053204201	WOODRUFF KEY	1
4	EY0450060010	STEEL BALL	2
5	EY2283500103	SPRING, RELIEF	1
6	EY2283501403	LOCK SLEEVE	1
7	EY0230200020	SPACER	1
	EY0230200030	SPACER	1
	EY0230200040	SPACER	1
8	EY2284170130	GOVERNOR PLATE ASSY. (includes items 9-17)	1
9	-----	GOVERNOR PLATE COMPLETE (Includes items 10-14)	1
10	-----	FLYWEIGHT	15
11	-----	RIVET	2
12	-----	GOVERNOR GEAR	1
13	-----	LOCK PIN	1
14	-----	PIN	3
15	-----	OIL PUMP COVER	1
16	-----	PUMP SHAFT	1
17	-----	OIL PUMP (INNER)	1
18	EY2286390203	OIL PUMP (OUTER)	1
19	EY2284191001	GOVERNOR SLEEVE	1
20	EY2284220103	GOVERNOR SHAFT	1
21	EY2284210123	GOVERNOR YOKE	1
22	EY2284230203	GOVERNOR LEVER 1	1
23	EY2284231002	GOVERNOR LEVER 2	1
24	EY0031010000	WASHER	1
25	EY0031308000	CLIP	1
26	EY0043505120	SCREW AND WASHER ASSY.	2
27	EY0021806000	NUT	2
28	EY0011306200	BOLT AND WASHER ASSY.	2
29	EY0032006000	LOCK WASHER	2
30	EY2284500133	START SPRING	1
31	EY2284250123	GOVERNOR SPRING ASSY.	1
32	EY2284290101	CONTROL LINK COMPLETE	1
33	EY2284331001	SPPED CONTROL	1
34	EY2284500303	KNOB	1
35	EY0062610050	O-RING	1
36	EY0230080010	SPACER	1
37	EY0217080010	FRICTION WASHER	1
38	EY0200080010	WASHER	1
39	EY0200080090	WASHER	1

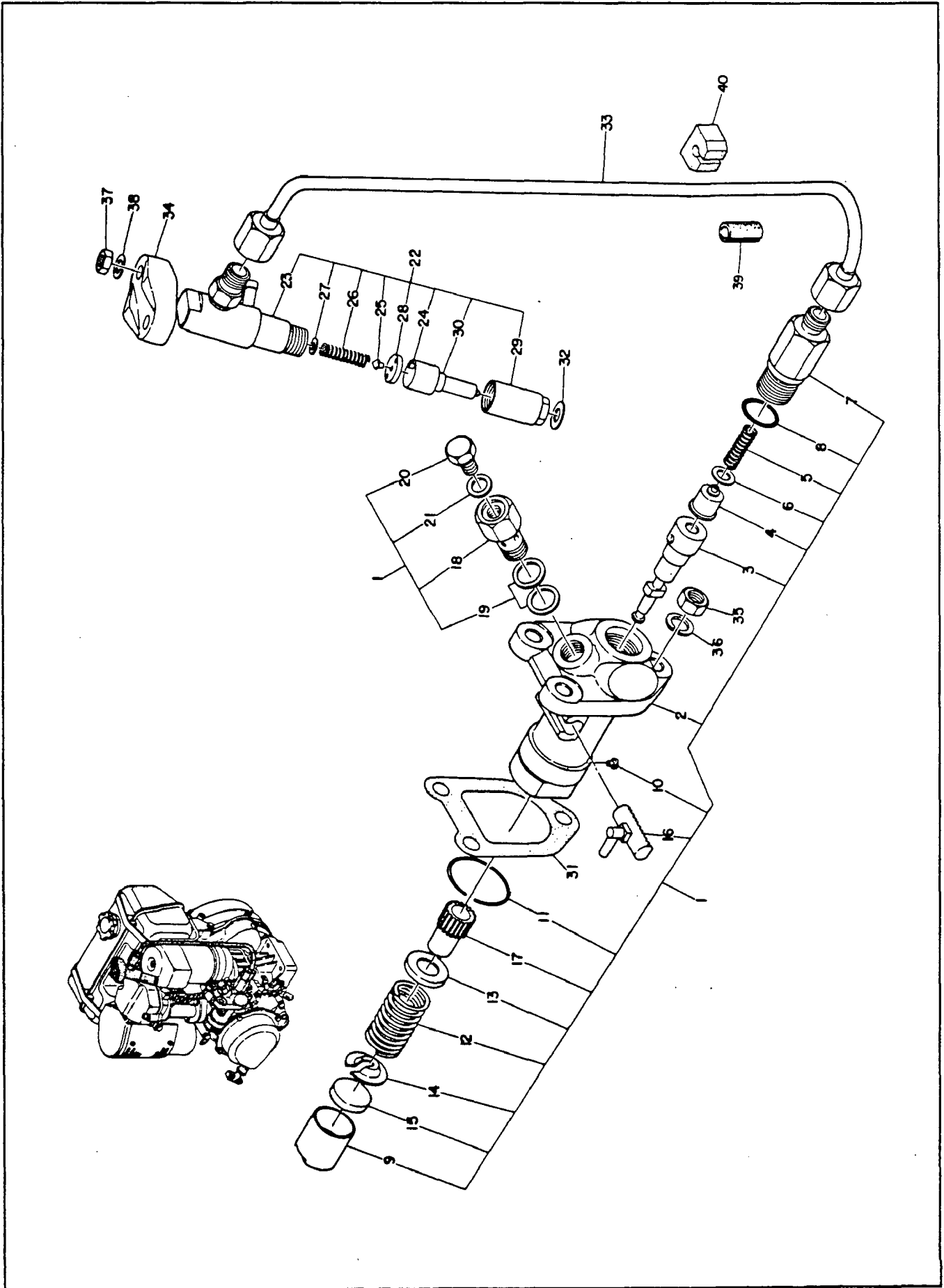
4. CAMSHAFT and GOVERNOR



4. CAMSHAFT and GOVERNOR (cont.)

REF. NO.	PART NO.	DESCRIPTION	QTY.
4-40	EY0179080012	WING NUT	1
41	EY0565040010	CLIP	1
42	EY0043106350	SCREW	1
43	EY2284571101	STOP LEVER 2 COMPLETE	1
44	EY2284600303	RETURN SPRING	1
45	EY2284500903	STOPPER	1
46	EY2283160310	CAMSHAFT ASSY. (Includes items 2 & 3)	1
47	- - - - -	NOT SOLD SEPARATELY	
48	- - - - -	" " "	
49	- - - - -	" " "	
50	- - - - -	" " "	
51	- - - - -	" " "	

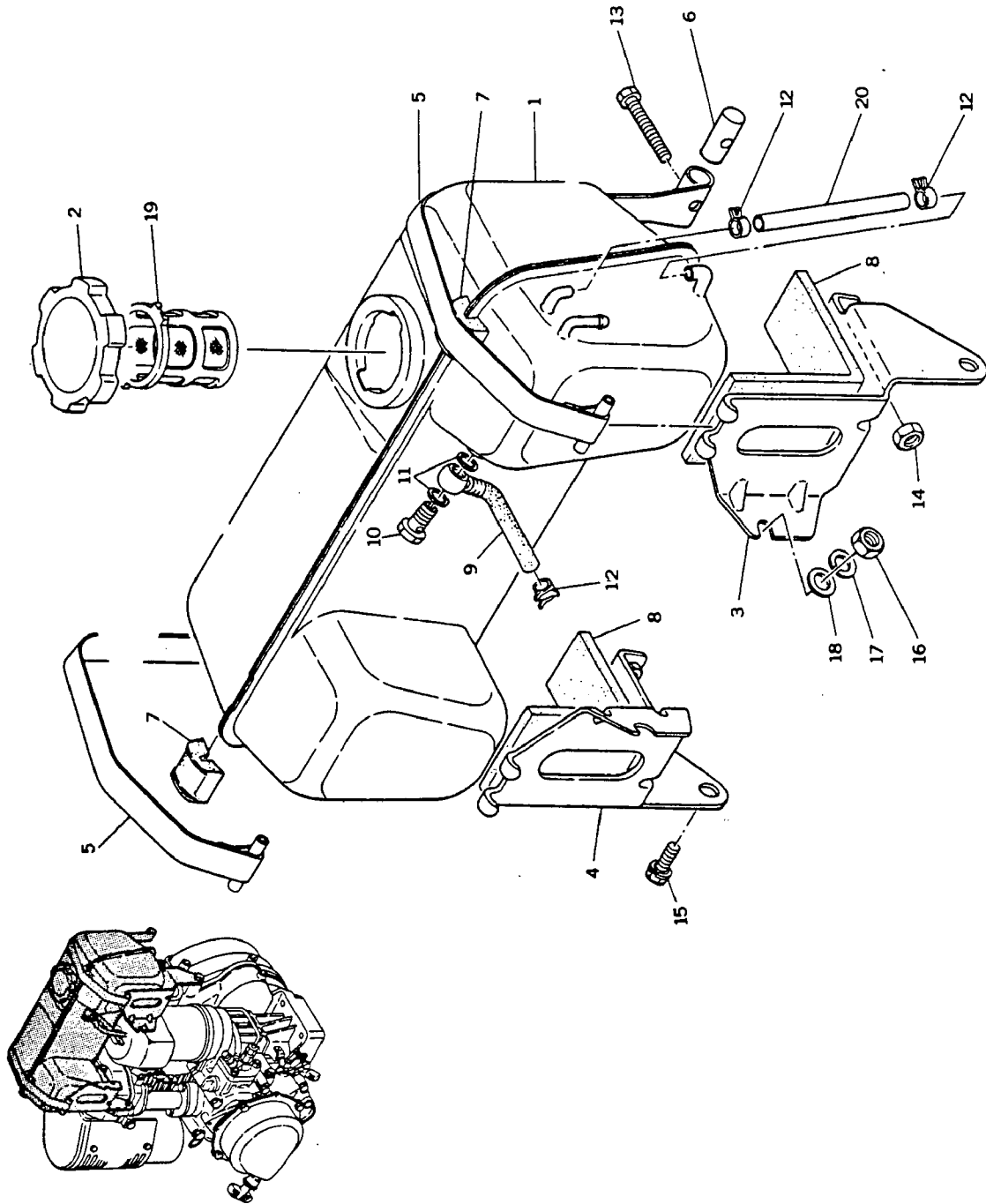
5. FUEL INJECTION PUMP NOZZLE



5. FUEL INJECTION PUMP NOZZLE

REF. NO.	PART NO.	DESCRIPTION	QTY.
5-1	EY2286310100	INJECTION PUMP ASSY. (Includes items 2-21)	1
2	- - - - -	HOUSING (PUMP)	1
3	EY2286310208	PLUNGER ASSY.	1
4	EY2286310308	INJECTION VALVE	1
5	- - - - -	SPRING	1
6	- - - - -	GASKET	1
7	- - - - -	HOLDER	1
8	- - - - -	O-RING	1
9	- - - - -	TAPPET	1
10	- - - - -	PIN	1
11	- - - - -	SNAP RING	1
12	- - - - -	SPRING, PLUNGER	1
13	- - - - -	SPRING SEAT	1
14	- - - - -	SPRING SEAT	1
15	- - - - -	PLATE	1
16	- - - - -	CONTROL RACK	1
17	- - - - -	CONTROL SLEEVE	1
18	EY2286311208	EYE BOLT	1
19	- - - - -	GASKET	2
20	- - - - -	BOLT	1
21	- - - - -	GASKET	1
22	EY2286320110	NOZZLE ASSY. (Includes items 23-30)	1
23	- - - - -	NOZZLE HOLDER COMPLETE (Includes items 24-29)	1
24	- - - - -	PIN	1
25	- - - - -	SPRING SEAT	1
26	- - - - -	SPRING (NOZZLE)	1
27	- - - - -	SHIM	1
28	- - - - -	SPACER	1
29	- - - - -	RETAINING NUT	1
30	EY2286321108	NOZZLE	1
31	EY2286502203	GASKET, PUMP	1
32	EY2286500403	WASHER, PUMP	1
33	EY2286330101	INJECTION PIPE COMPLETE	1
34	EY2286600101	BRACKET, NOZZLE	1
35	EY0021808000	NUT	3
36	EY0032008000	LOCK WASHER	3
37	EY0021806000	NUT	2
38	EY0032006000	LOCK WASHER	2
39	EY2286502003	RUBBER PIPE	1
40	EY2226500603	GROMMET	1

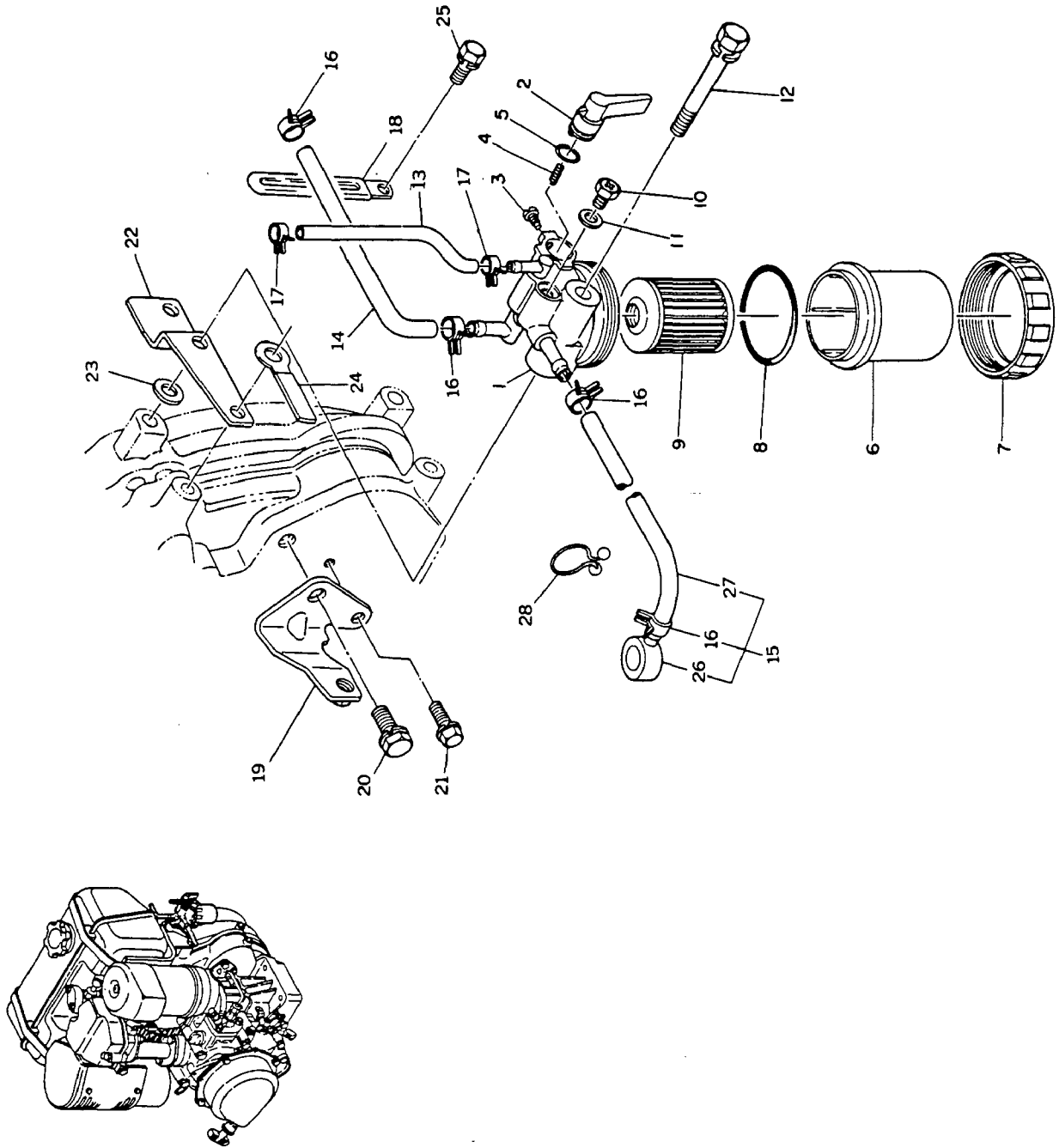
6. FUEL TANK



6. FUEL TANK

REF. NO.	PART NO.	DESCRIPTION	QTY.
6-1	EY2286010231	FUEL TANK COMPLETE	1
2	EY0430430015	FUEL TANK CAP COMPLETE	1
3	EY2286160111	TANK BRACKET 1 COMPLETE	1
4	EY2286170111	TANK BRACKET 2 COMPLETE	1
5	EY2286551001	TANK BAND COMPLETE	2
6	EY2286560111	DOWEL PIN, TANK BAND	2
7	EY2286500113	BAND GUIDE	2
8	EY2286500203	FELT INSULATOR	2
9	EY2286260401	FUEL PIPE COMPLETE	1
10	EY0530080010	BANJO BOLT	1
11	EY0037008000	GASKET	2
12	EY0561080010	HOSE CLAMP	3
13	EY0016606450	BOLT	2
14	EY0021806000	NUT	2
15	EY0011308200	BOLT AND WASHER ASSY.	2
16	EY0021808000	NUT	2
17	EY0032008000	LOCK WASHER	2
18	EY0031008000	WASHER	2
19	EY0641360010	FUEL FILTER	1
20	EY0850050000	PIPE (VINYL)	1

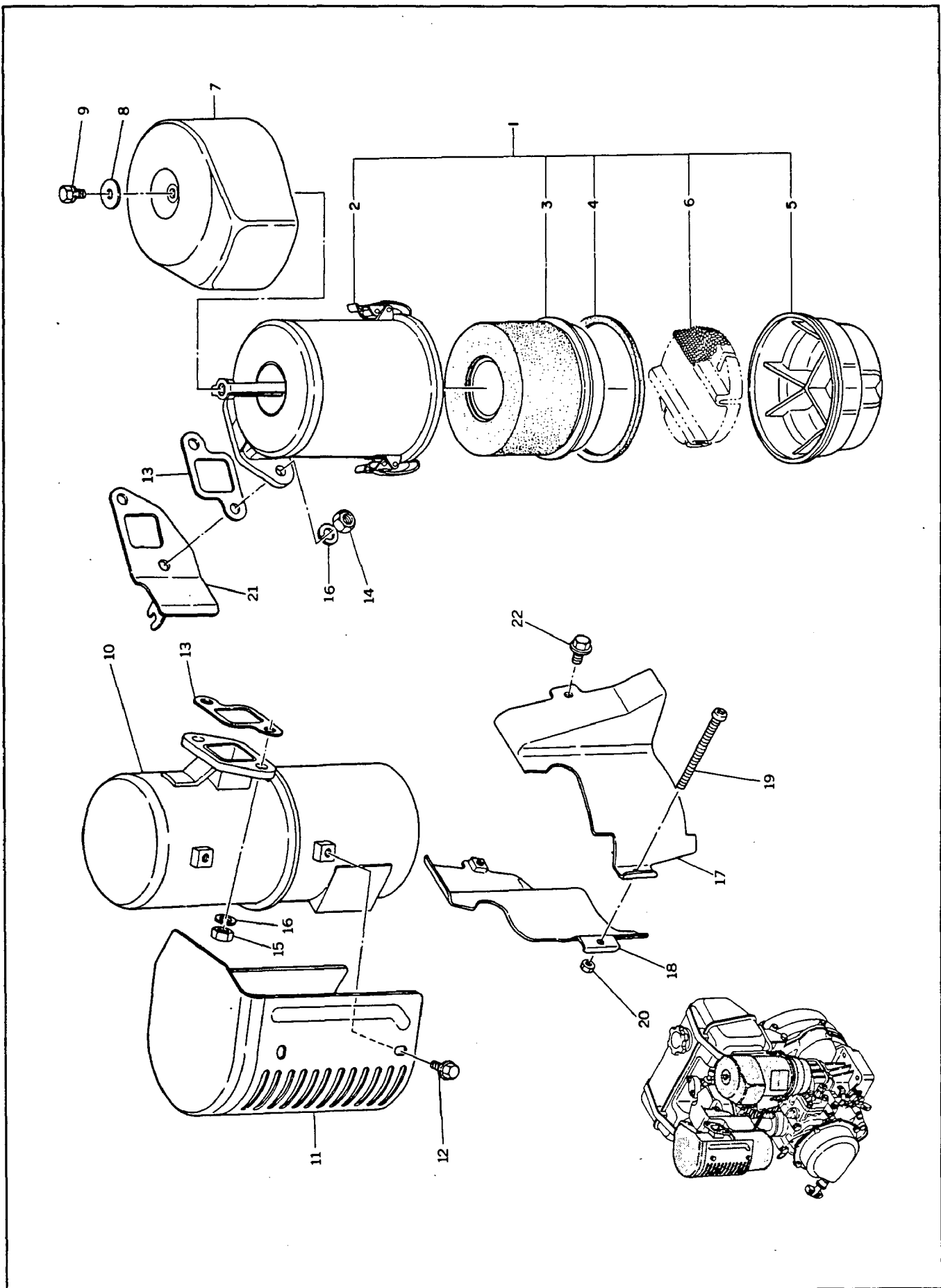
7. FUEL FILTER



7. FUEL FILTER

REF. NO.	PART NO.	DESCRIPTION	QTY.
7-1	EY2286210200	FUEL FILTER ASSY. (Includes items 2-11)	1
2	-----	LEVER	1
3	-----	SCREW	1
4	-----	VALVE SPRING	1
5	-----	O-RING	1
6	EY2286210708	CUP	1
7	EY2286210808	RING NUT	1
8	EY2286210908	O-RING	1
9	EY2286211008	ELEMENT	1
10	-----	PLUG	1
11	-----	PACKING	1
12	EY0011308650	BOLT AND WASHER ASSY.	1
13	EY0851450000	RUBBER PIPE	1
14	EY0851060000	RUBBER PIPE	1
15	EY2286261101	FUEL PIPE 2 COMPLETE (Includes items 16,26 & 27)	1
16	EY0561110020	HOSE CLAMP	3
17	EY0561080010	HOSE CLAMP	2
18	EY1507520103	CLAMP	1
19	EY2286760201	FUEL FILTER BRACKET COMPLETE	1
20	EY0011308200	BOLT AND WASHER ASSY.	1
21	EY0011306180	BOLT AND WASHER ASSY.	1
22	EY2286763001	FUEL FILTER BRACKET COMPLETE	1
23	EY0200060110	WASHER	1
24	EY0566000170	CLAMP	1
25	EY0011006100	BOLT AND WASHER ASSY.	1
26	EY0521050012	BANJO	1
27	EY0851060000	RUBBER PIPE	1
28	EY0177500203	PURSE LOCK	1

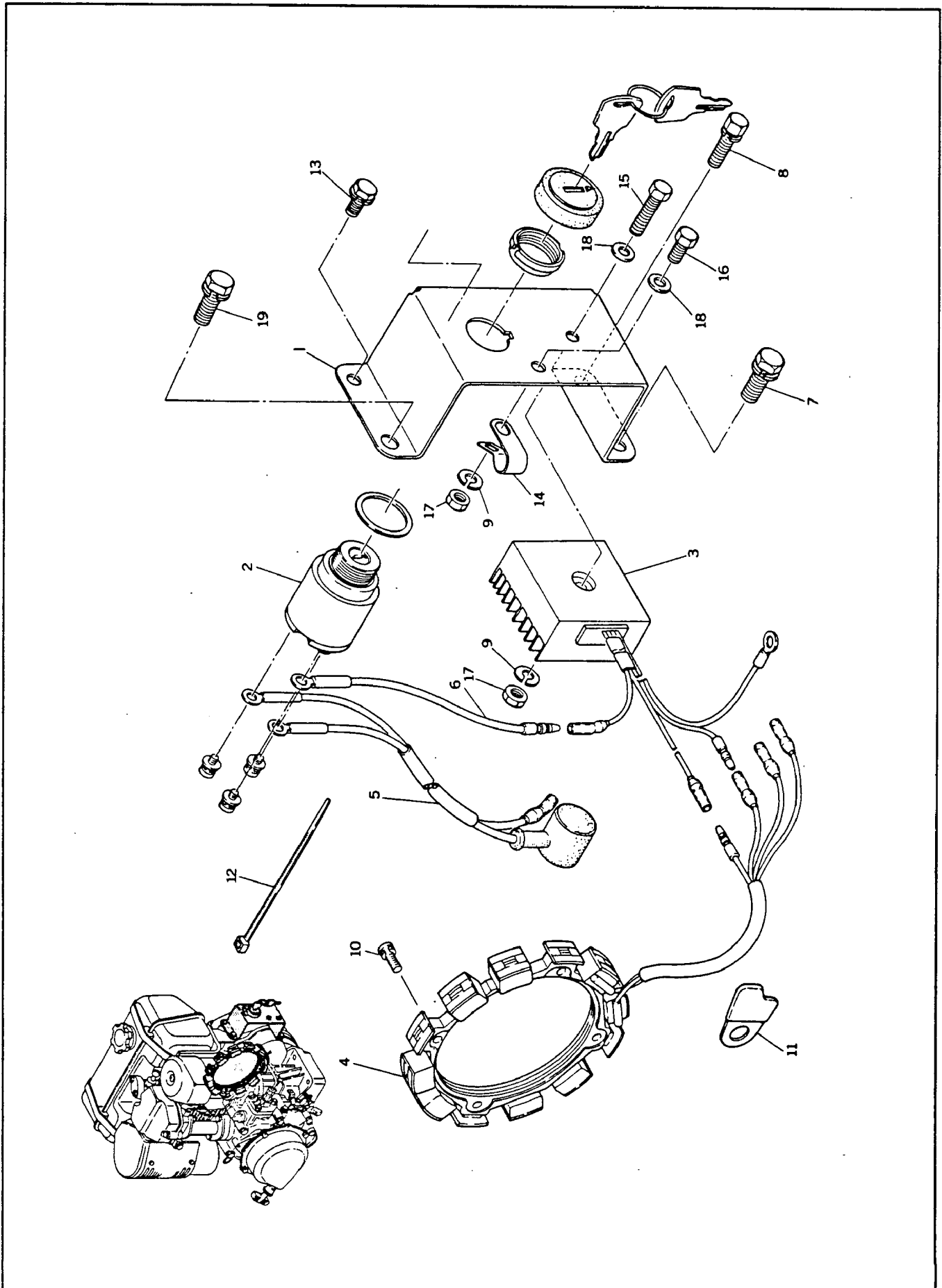
8. AIR CLEANER and MUFFLER



8. AIR CLEANER AND MUFFLER

REF. NO.	PART NO.	DESCRIPTION	QTY.
8-1	EY2313260100	AIR CLEANER ASSY. (Includes items 2-6)	1
2	-----	BODY COMPLETE	1
3	EY2283260008	ELEMENT COMPLETE (Includes item 4)	1
4	EY2283272008	PACKING	1
5	EY2283271008	OIL PAN	1
6	EY2283260118	ELEMENT C	1
7	EY2283500903	CAP, AIR CLEANER	1
8	EY0200060020	WASHER	1
9	EY9800506010	BOLT AND WASHER ASSY.	1
10	EY2283010501	MUFFLER COMPLETE	1
11	EY2283420101	MUFFLER COVER COMPLETE	1
12	EY0110060010	FLANGE BOLTSHER ASSY.	6
13	EY2283500603	GASKET, MUFFLER	2
14	EY0021808000	NUT	2
15	EY0021908000	NUT	2
16	EY0032008000	LOCK WASHER	4
17	EY2285260112	CYLINDER BAFFLE 1	1
18	EY2285270112	CYLINDER BAFFLE 2	1
19	EY0140050040	SCREW	1
20	EY0021705000	NUT	1
21	EY2295280102	CYLINDER BAFFLE 3 UNIT	1
22	EY0110060020	FLANGE BOLT	2

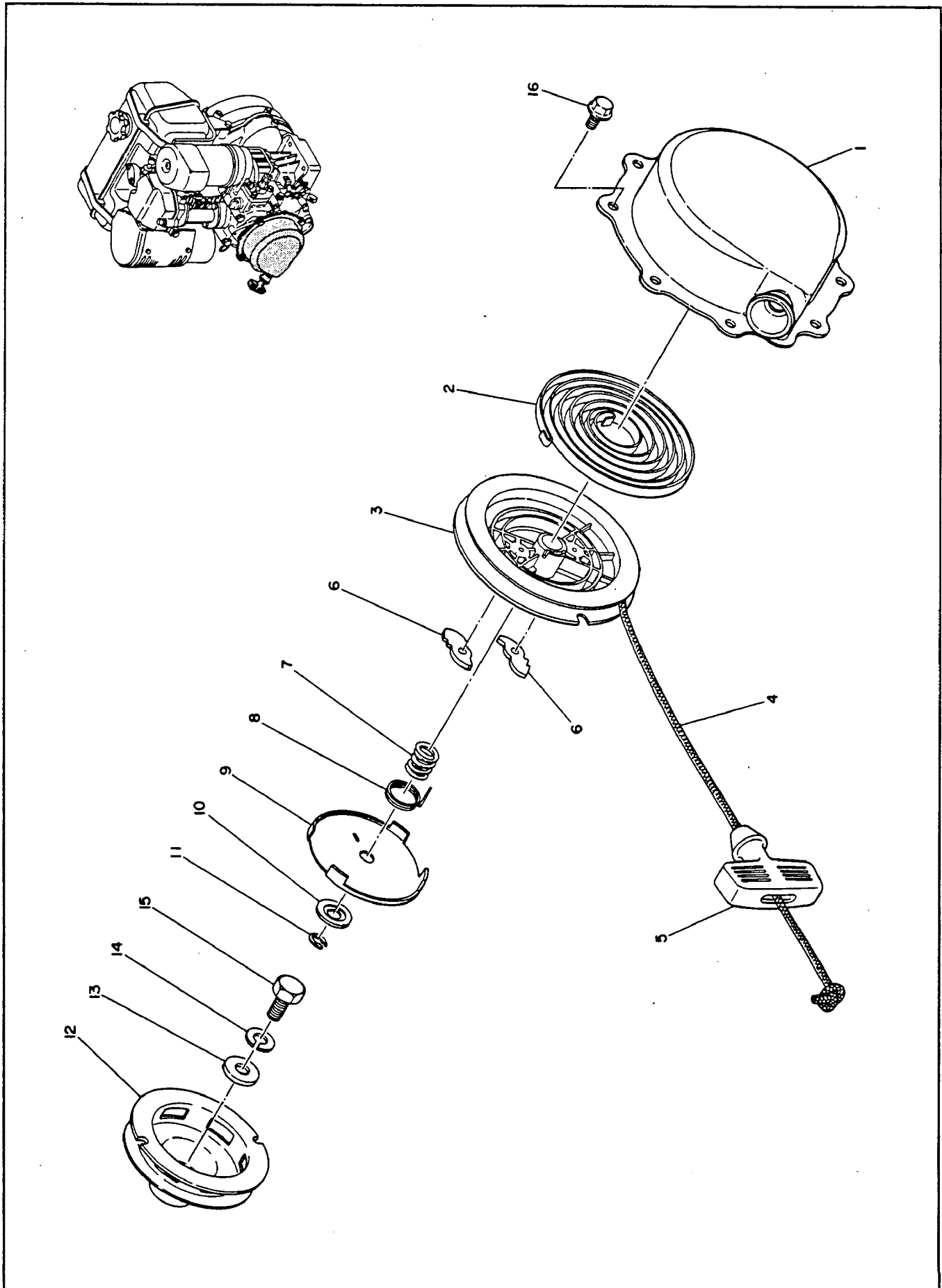
9. ELECTRICAL EQUIPMENT CONTROL BOX(DS,BS)



9. ELECTRICAL EQUIPMENT CONTROL BOX

REF. NO.	PART NO.	DESCRIPTION	QTY.
9-1	EY2284060211	CONTROL BOX COMPLETE	1
2	EY0660000140	SWITCH	1
3	EY2287190101	REGULATOR COMPLETE	1
4	EY2287040208	STATOR COMPLETE	1
5	EY2287310101	WIRE 1 COMPLETE	1
6	EY2287310801	WIRE 2 COMPLETE	1
7	EY0011308200	BOLT AND WASHER ASSY.	1
8	EY0011306120	BOLT AND WASHER ASSY.	1
9	EY0032008000	LOCK WASHER	4
10	EY0043504120	SCREW AND WASHER ASSY.	4
11	EY2287500201	CLAMP COMPLETE	1
12	EY0563000020	WIRE BAND	1
13	EY0011306200	BOLT AND WASHER ASSY.	1
14	EY0566100021	CLAMP	1
15	EY0016506250	BOLT	1
16	EY0016506100	BOLT	1
17	EY0021706000	NUT	2
18	EY0031006000	WASHER	2
19	EY0011308250	BOLT AND WASHER ASSY.	1

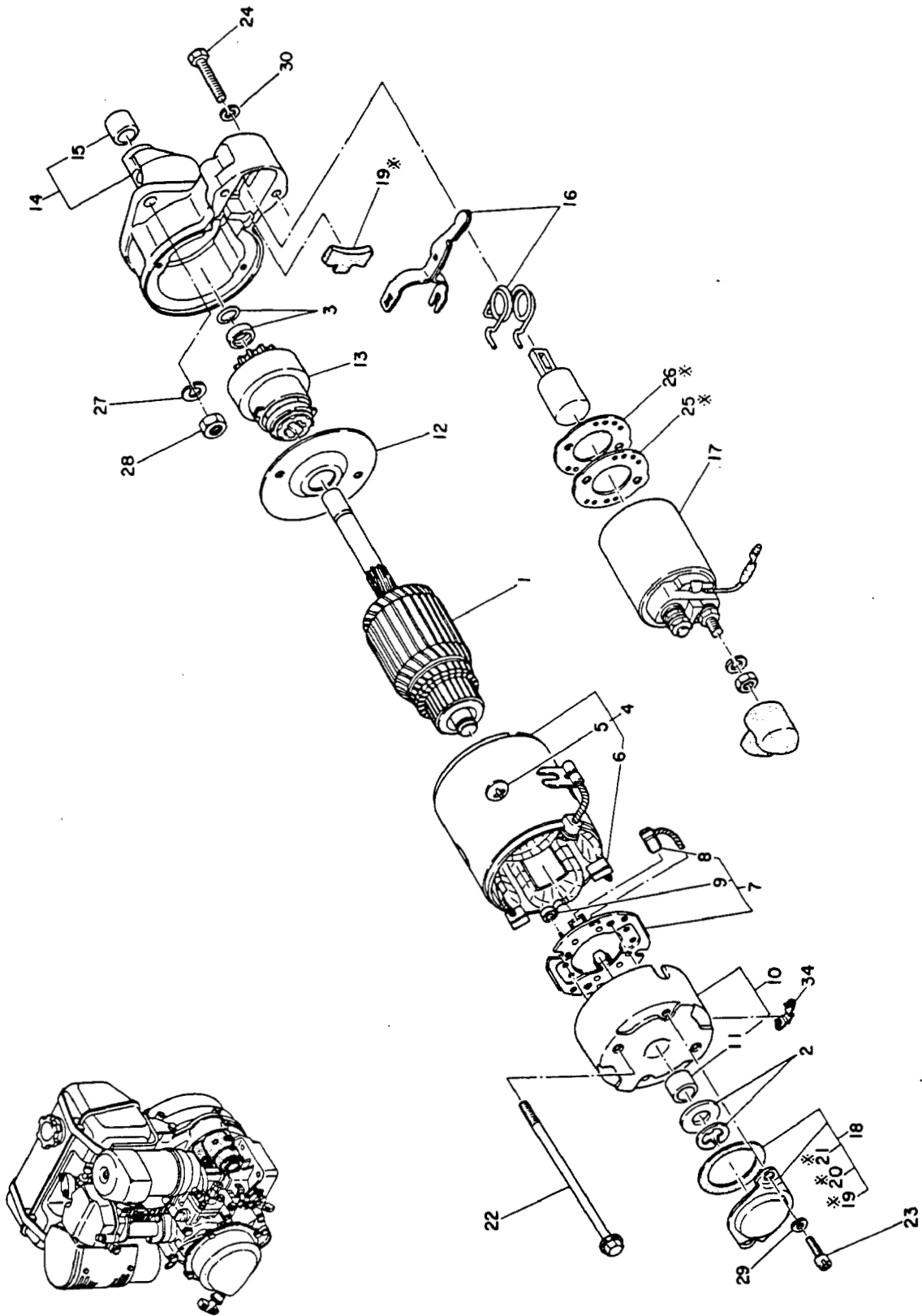
10. RECOIL STARTER



10. RECOIL STARTER

REF. NO.	PART NO.	DESCRIPTION	QTY.
10-1	EY2285010100	RECOIL STARTER ASSY. (includes items 2-12)	1
2	EY1065011608	SPIRAL SPRING	1
3	EY1075012108	REEL COMPLETE	1
4	EY2285011008	STARTER ROPE	1
5	EY2065010108	STARTER KNOB COMPLETE	1
6	EY1065012818	RATCHET	2
7	EY1065013208	FRICTION SPRING	1
8	EY1065013618	RETURN SPRING	1
9	EY1065014418	FRICTION PLATE	1
10	EY1065018518	THRUST WASHER	1
11	EY1065018608	CLIP	1
12	EY2285420101	STARTING PULLEY COMPLETE	1
13	EY0200100170	WASHER	1
14	EY0032010000	SPRING WASHER	1
15	EY0016610200	BOLT	1
16	EY0110060010	FLANGE BOLT	4

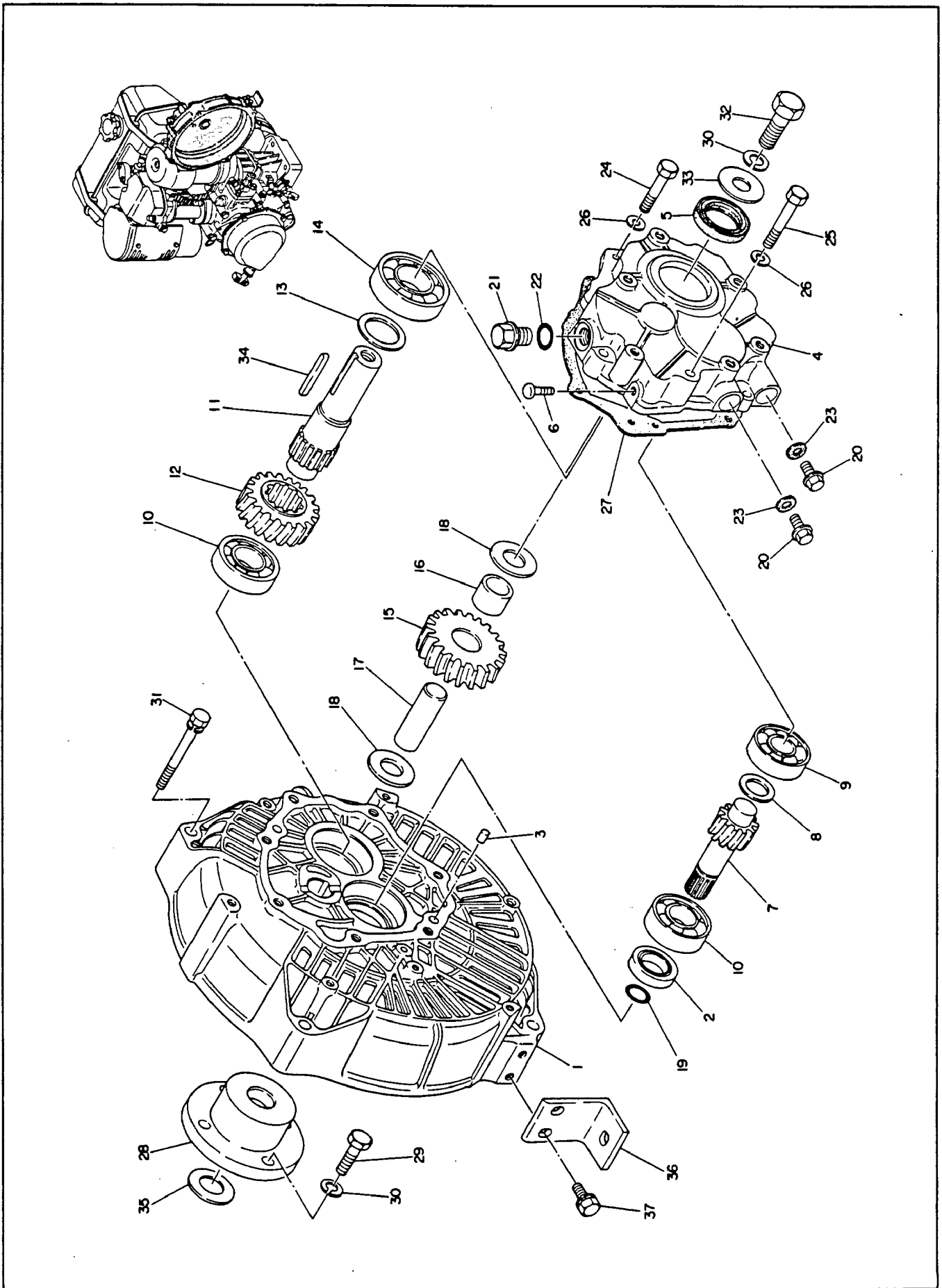
11. STARTING MOTOR(DS,BS)



11. STARTER MOTOR

REF. NO.	PART NO.	DESCRIPTION	QTY.
11-1	EY2107050210	STARTING MOTOR ASSY. (Includes items 2-31)	1
2	EY2107053208	ARMATURE ASSY.	1
3	EY2107053308	THRUST WASHER KIT	1
4	EY2107053408	PINION STOPPER SET	1
5	EY2107053508	FIELD COIL ASSY. (Includes items 6 & 7)	1
6	EY2107050808	POLE CORE SET SCREW	4
7	EY2107053908	BRUSH (+)	2
8	EY2107053808	BRUSH HOLDER ASSY. (includes items 9 & 10)	1
9	EY2107054008	BRUSH (-)	2
10	EY2107054108	BRUSH SPRING	4
11	EY2107053718	REAR COVER ASSY. (Includes item 12)	2
12	EY2107054208	REAR COVER METAL	1
13	EY2107054308	CENTER PLATE	1
14	EY2107054408	PINION ASSY.	1
15	EY2107054508	GEAR CASE ASSY. (Includes item 16)	1
16	EY2107054708	GEAR CASE METAL	1
17	EY2107054608	SHIFT LEVER KIT	1
18	EY2107054808	MAGNETIC SWITCH ASSY.	1
19	EY2107055018	DUST COVER KIT (Includes items 20-23 & 26-28)	1
20		NOT SOLD SEPARATELY	
21		NOT SOLD SEPARATELY	
22		NOT SOLD SEPARATELY	
23	EY2107054908	THROUGH BOLT	2
24	EY0043104120	SCREW	2
25	EY0016606300	BOLT	2
26		NOT SOLD SEPARATELY	
27		NOT SOLD SEPARATELY	
28		NOT SOLD SEPARATELY	
29	EY0032008000	LOCK WASHER	2
30	EY0021708000	NUT	2
31	EY0032004000	LOCK WASHER	2
32	EY0032006000	LOCK WASHER	2
33	EY2107055108	BLIND COVER	1

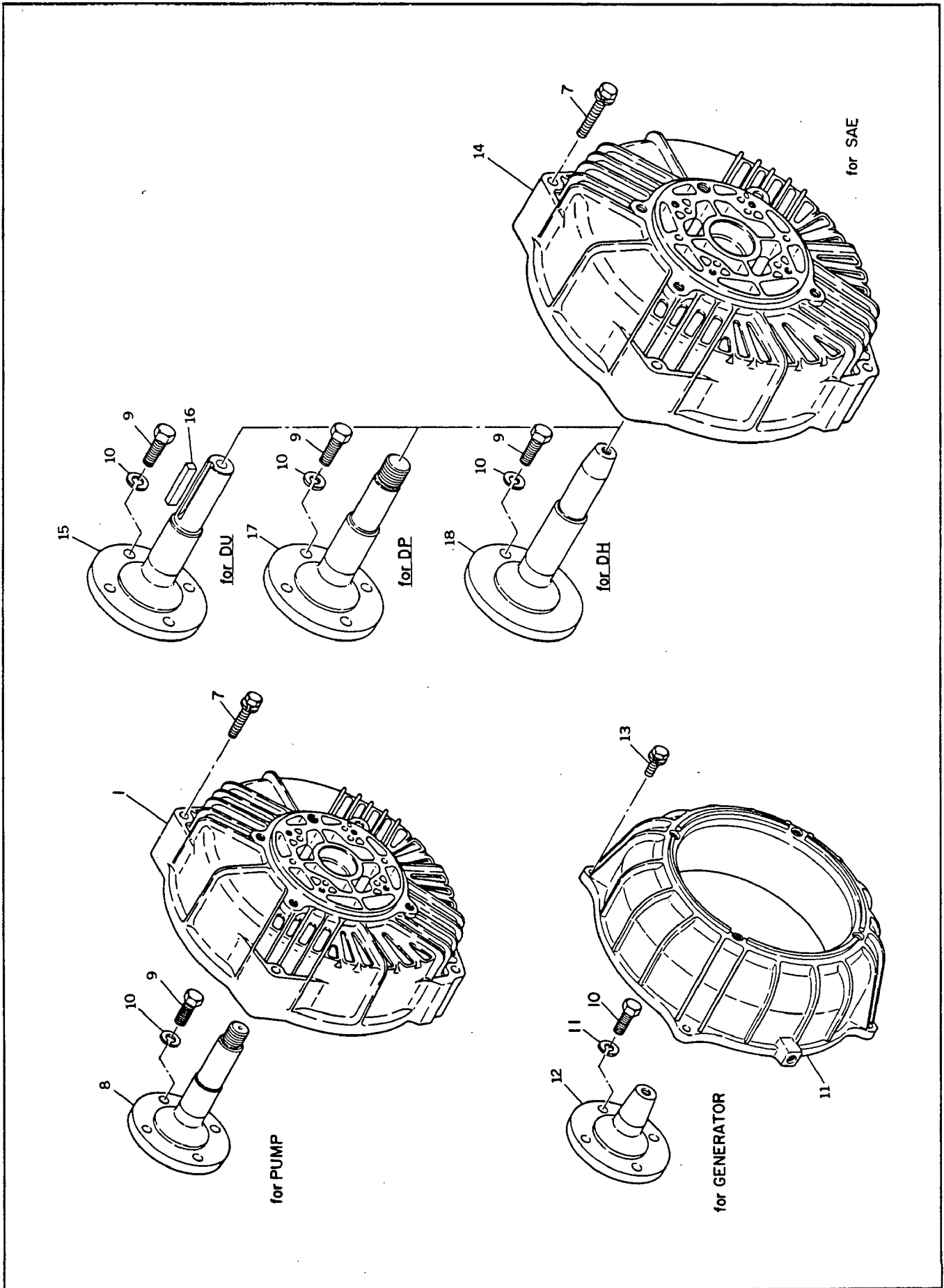
12. REDUCTION



12. REDUCTION

REF. NO.	PART NO.	DESCRIPTION	QTY.
12-1	EY2281771008	REDUCTION ADAPTER COMPLETE (Includes items 2 & 3)	1
2	EY0440250070	OIL SEAL	1
3	EY2288500103	PIN	2
4	EY2288060118	GEAR CASE COMPLETE (Includes item 5)	1
5	EY2288500203	OIL SEAL	1
6	EY0670070100	AIR BREATHER	1
7	EY2288600308	REDUCTION GEAR 1 COMPLETE (Includes items 8-10)	1
8	EY2288500308	SHIM	1
	EY2288500408	SHIM	1
9	EY0600200020	BALL BEARING	1
10	EY0600250010	BALL BEARING	2
11	EY2288600318	DRIVE SHAFT COMPLETE (Includes items 10, 12-15)	1
12	EY2288600408	REDUCTION GEAR 2	1
13	EY2288500808	SHIM	1
	EY2288500708	SHIM	1
14	EY0600300020	BALL BEARING	1
15	EY2288600708	IDLER GEAR COMPLETE (Includes item 16)	1
16	EY2288501008	BUSHING	1
17	EY2288600808	IDLER SHIFT	1
18	EY2288501208	WASHER	2
19	EY2288501308	O-RING	1
20	EY2288501408	PLUG	2
21	EY2288501508	PLUG	1
22	EY0211140020	GASKET	1
23	EY0037008000	GASKET, ALUMINUM	2
24	EY0016608400	BOLT	6
25	EY0016608500	BOLT	1
26	EY0032008000	LOCK WASHER	11
27	EY2288501108	GASKET, GEAR CASE	1
28	EY2282450103	DRIVING COUPLING	1
29	EY0016710300	BOLT	4
30	EY0032010000	LOCK WASHER	5
31	EY0011308600	BOLT AND WASHER ASSY.	4
32	EY0100100160	BOLT	1
33	EY0200100010	WASHER	1
34	EY0053007351	KEY	1
35	EY2288500103	PACKING	1
36	EY2288600201	ADAPTER SUPPORT	2
37	EY0011308200	BOLT AND WASHER ASSY.	4

13. OPTIONAL EQUIPMENT (DRIVING SHAFT and ADAPTER)

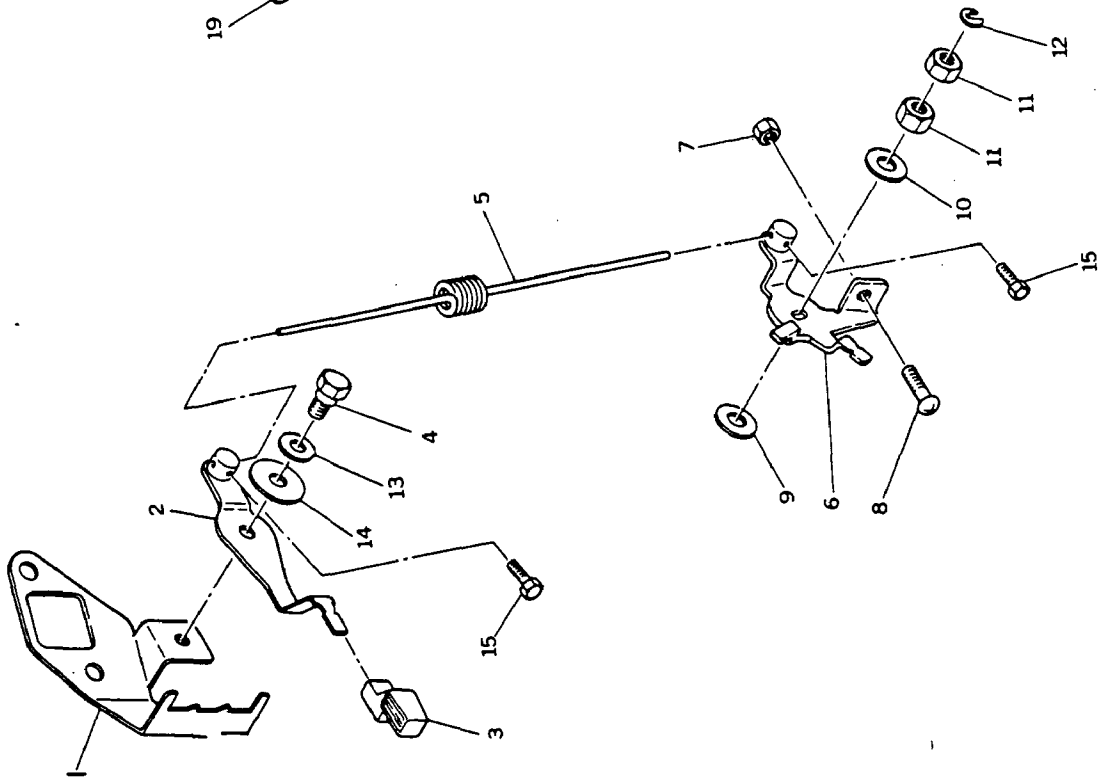


13. OPTIONAL EQUIPMENT (DRIVING SHAFT and ADAPTER)

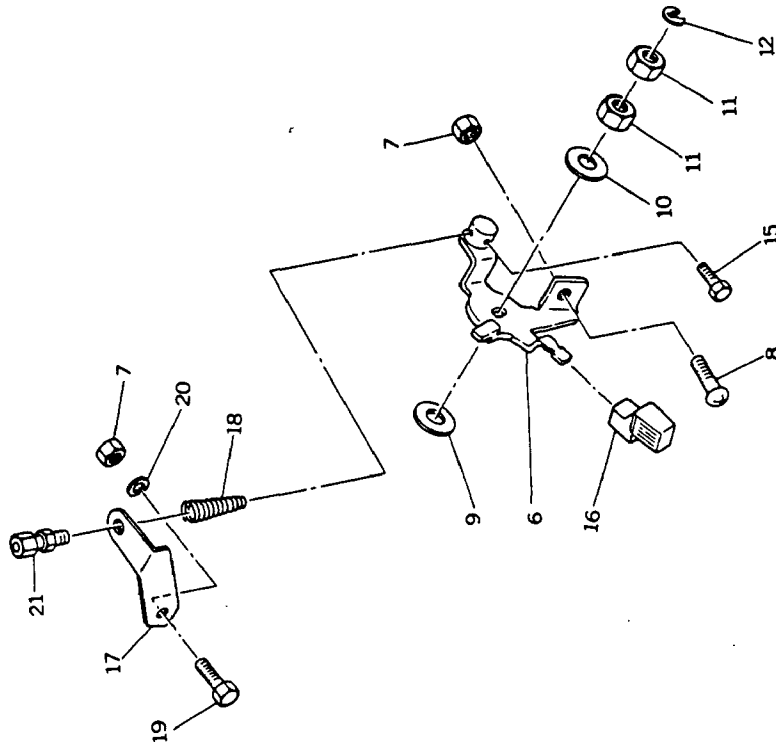
REF. NO.	PART NO.	DESCRIPTION	QTY.
13-1	EY2281790113	ADAPTER 1	1
2	EY2281550101	COVER	2
3	EY2281551001	COVER	2
4	EY0016605200	BOLT	8
5	EY0200050030	WASHER	8
6	EY0023805000	FLANGE NUT	8
7	EY0011308600	BOLT AND WASHER ASSY.	4
8	EY0032008000	LOCK WASHER	4
9	EY2282440303	DRIVING SHAFT	1
10	EY0016710300	BOLT	4
11	EY0032010000	LOCK WASHER	4
12	EY2281760103	ADAPTER 2	1
13	EY2282440203	DRIVING SHAFT	1
14	EY0011308250	BOLT AND WASHER ASSY.	4
15	EY2281791123	ADAPTER 3	1
16	EY2282440603	DRIVING SHAFT	1
17	EY2072600103	KEY	1
18	EY2282440803	DRIVING SHAFT	1
19	EY2282440703	DRIVING SHAFT	1

14. OPTIONAL EQUIPMENT (SPEED CONTROL)

SPEED CONTROL FOR ONE TOUCH



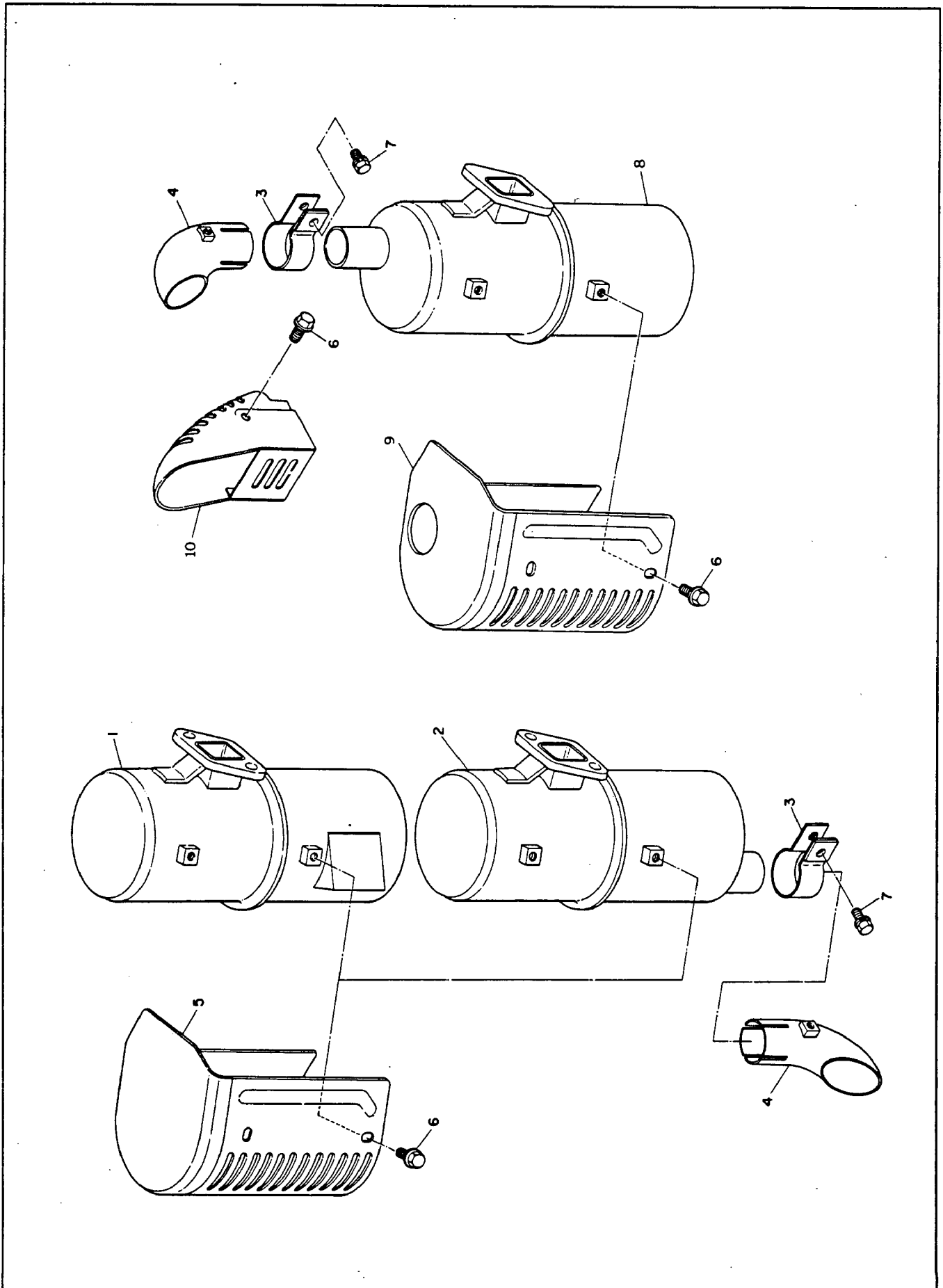
REMOTE CONTROL TYPE



14. OPTIONAL EQUIPMENT (SPEED CONTROL)

REF. NO.	PART NO.	DESCRIPTION	QTY.
14-1	EY2284010201	CONTROL PANEL COMPLETE	1
2	EY2284332111	SPEED CONTROL 2 COMPLETE	1
3	EY2274360103	KNOB	1
4	EY2284530101	LINK PIVOT	1
5	EY2284500501	CONTROL SPRING	1
6	EY2284331111	SPEED CONTROL 1 COMPLETE	1
7	EY0021806000	NUT	1
		(for remote control quantity increases to 2)	
8	EY0043106350	SCREW	1
9	EY0217080010	FRICTION WASHER	1
10	EY0200080090	WASHER	1
11	EY0022808000	NUT	2
12	EY0565040010	CLIP	1
13	EY0031008000	WASHER	1
14	EY0200080010	WASHER	1
15	EY0115050010	BOLT	2
		(for remote control, quantity decreases to 1)	
16	EY2284500303	KNOB	1
17	EY2284420101	WIRE BRACKET 1	1
18	EY2284600211	RETURN SPRING	1
19	EY0016506160	BOLT	1
20	EY0032006000	LOCK WASHER	1
21	EY0149060040	ADJUSTING SCREW	1

15. OPTIONAL EQUIPMENT (MUFFLER)



15. OPTIONAL EQUIPMENT (MUFFLER)

REF. NO.	PART NO.	DESCRIPTION	QTY.
15-1	EY2283010311	MUFFLER COMPLETE	1
2	EY2283025001	MUFFLER COMPLETE	1
3	EY2273720111	BAND COMPLETE	1
4	EY2283700101	TAIL PIPE COMPLETE	1
5	EY2283420101	MUFFLER COVER COMPLETE	1
6	EY0110060010	FLANGE NUT	6
7	EY0011306250	BOLT AND WASHER ASSY.	1
8	EY2283020101	MUFFLER COMPLETE	1
9	EY2283420201	MUFFLER COVER COMPLETE	1
10	EY2283710111	TAIL PIPE COVER COMPLETE	1